

# HÄFELE



www.haefeleindia.com

## FREE SPACE









COMPACT

STRONG

EFFICIENT



## ELEGANCE FOR ANY FLAP.

**FREE SPACE**  
ENGINEERED BY HÄFELE.

The fittings of the Free family give flaps new freedom in movement. This opens up more opportunities in the visual and technical design of furniture and has tangible benefits compared to hinged doors. But above all, it gives the furniture and the room undreamt elegance and lightness. With the new Free Space, Häfele offers an innovative stay flap fitting which, with its strong features and universal aesthetics, can be used in furniture across interior spaces. It immediately provides added value and more efficiency when working.

Almost 100 years of experience with furniture fittings, engineering expertise, and a close connection to the market and the people who work with furniture fittings on a daily basis led to the development of Free Space. Inspired by the requirements of the market of tomorrow Free space fulfils all demands for creative freedom and choice of material, design, ease of installation and convenient operation on a whole new level.



reddot award 2019  
winner



# LESS INSTALLATION DEPTH. MORE STORAGE SPACE.

Free space is characterised by an extremely compact size that goes hand in hand with a fine, understated, yet distinctive design.

This “less” creates “more” room and storage space in furniture, eliminates the need for large cover caps, and also opens up new freedom for modern furniture design such as convenient flaps for shallow cabinet depths.

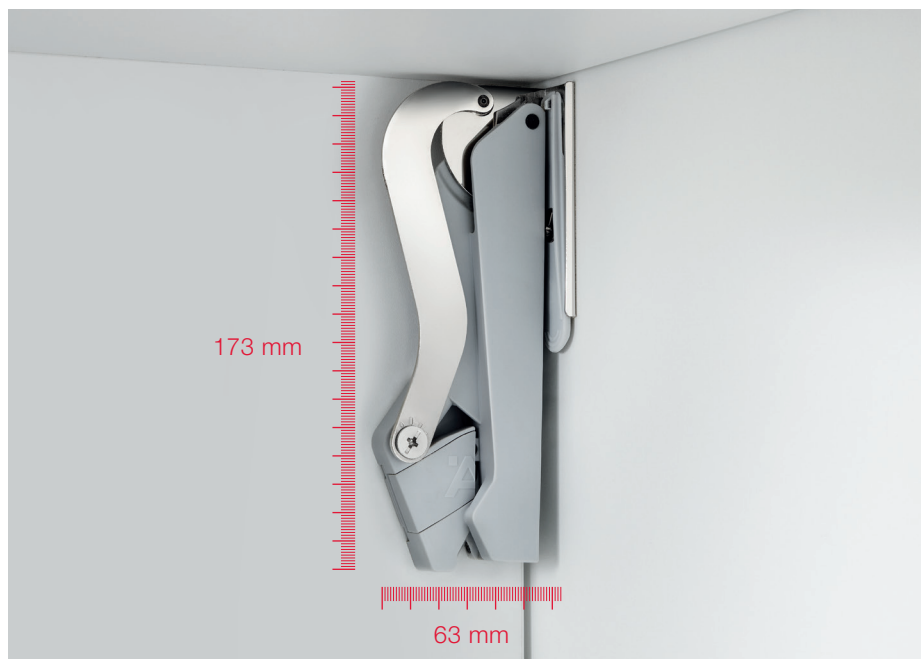


Size of conventional  
flap fittings

**COMPACT****STRONG****EFFICIENT**

## FREE SPACE

is available in 3 attractive colours:  
white, light grey and anthracite.



LESS MODELS.  
MORE APPLICATIONS.

Load bearing capacity up to 10.7 kg  
with cabinet height of 400 mm





COMPACT

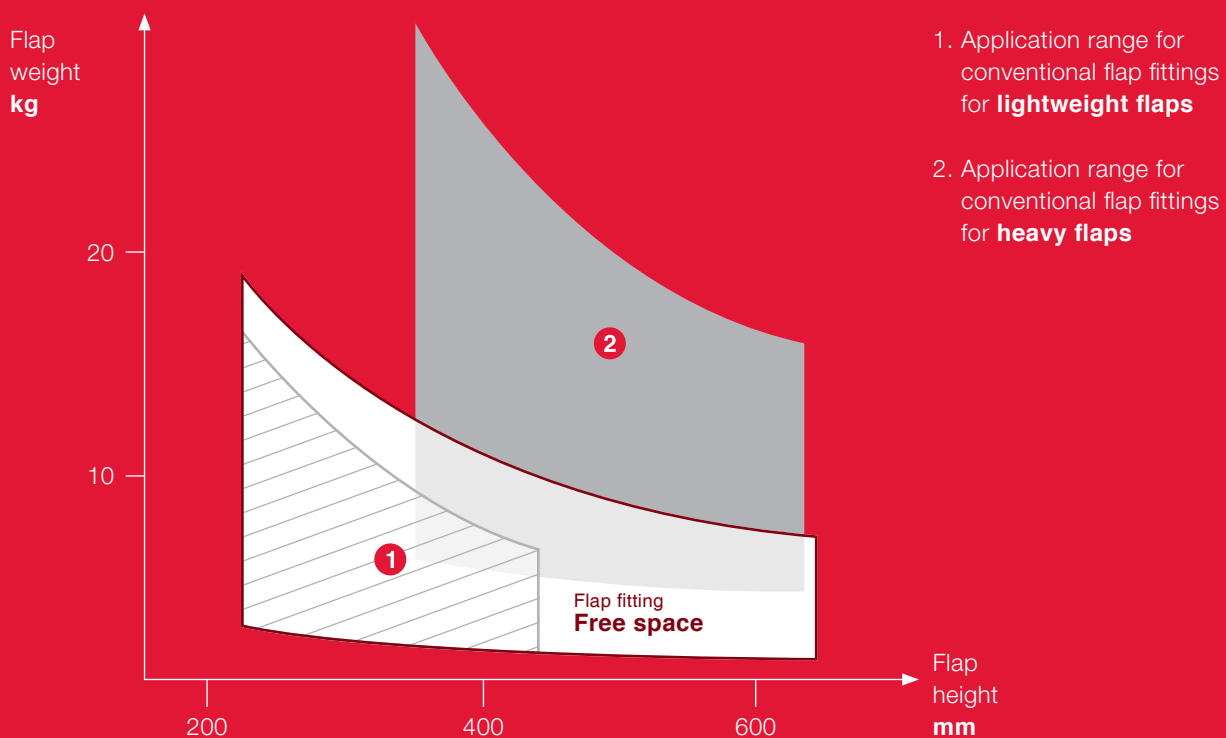
STRONG

EFFICIENT

**Free space**, across its different model variants, is characterised by unique performance capabilities, covering up to 80 % of all common stay flap applications. This therefore allows using the same product series for a much wider range of applications than previous hingeless stay flap fittings.

**Free space** can be used for flaps with or without furniture handle:

- > Model series **Free space 1.11** for flaps with handles
- > Model series **Free space 1.8 push** for flaps without handle with Push-to-Open function; the associated push catches are colour matched to the Free space fittings



LESS PARTS.  
MORE PRODUCTIVITY.



As the “smartest combination of less and more”, Free space on the one hand enables a very high degree of standardisation in production and, on the other hand, noticeably conserves resources in transport and logistics.

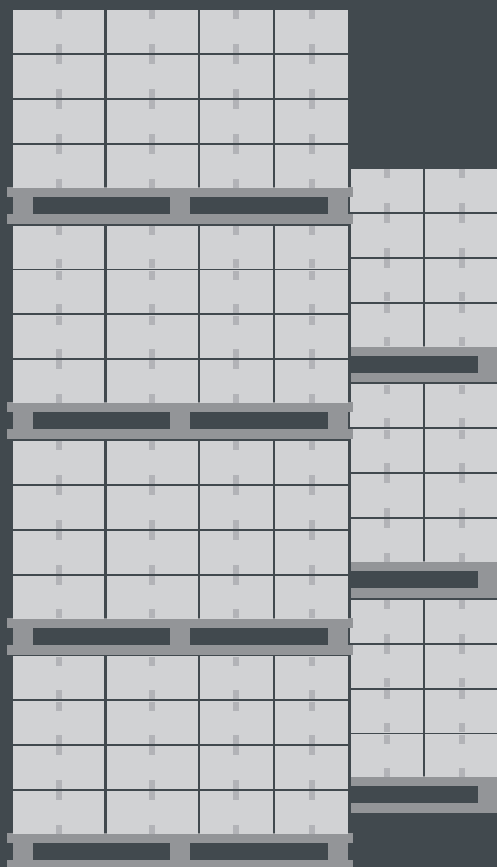
COMPACT

STRONG

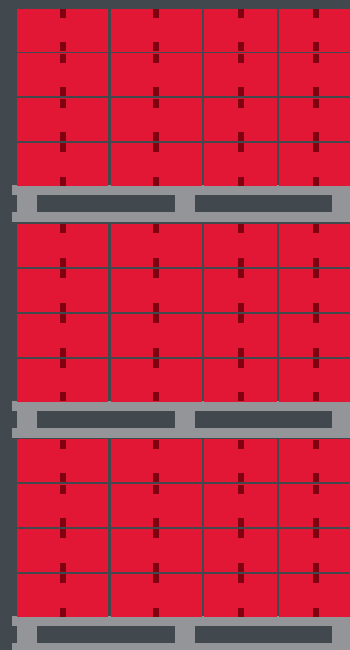
EFFICIENT

# LESS STORAGE AREA. MORE SPACE.

**Fewer individual parts ...**  
that means: Clear order lists  
and simplified stocking.



> Conventional flap fitting



> Free space

## FREE SPACE



### Extremely Powerful

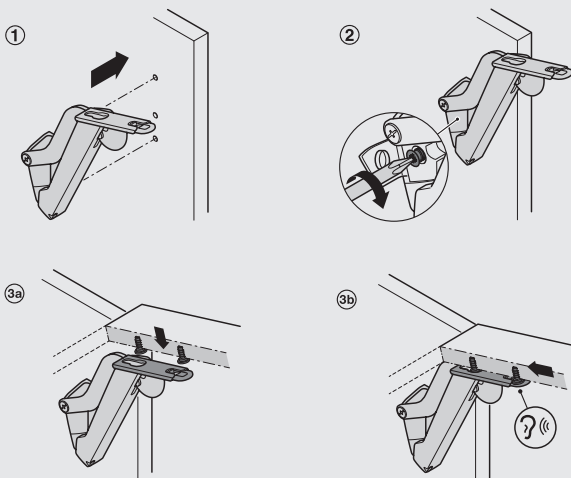
### Less models for more applications



- > Load bearing capacity up to 10.7 kg with cabinet height 400 mm

### Extremely Fast

#### Fewer manual operations for easier installation



- ① Fit the lift mechanism in place onto the pre-drilled side panel with the help of the built-in positioning pins
- ② Tighten the pre-mounted Euro screw
- ③ Fit the front panel to the lever arms (3a) and slide on until it engages (3b)

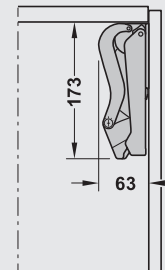
- > Hinge-less stay lift system for more free room in all respects
- > Extremely powerful: A product series that caters to majority of the most common flap sizes and weights
- > Extremely compact: Minimal appearance and more storage space in the furniture
- > Extremely gentle running characteristics for a pleasant operating feeling
- > Extremely fast and time-saving processing
- > Extremely adaptable: Three standard colours
- > For flaps with handle and flaps without handle with push opening

### Technical Specifications

- > Area of application: For standard front panel applications with front height up to 650 mm
- > Material: Fitting: Steel, Housing: Plastic
- > Finish/colour: Fitting: Nickel plated, Housing: Grey, white or anthracite
- > Opening angle: 90° or 107°
- > Adjustment facility: Height, side, tilting angle, holding power
- > Installation: Fitting: for screw fixing on pre-drilled side panel with pre-mounted Euro screw and built-in positioning pins, Front Panel: Tool-free assembly (clip system) onto pre-mounted fixing screws

### Extremely Compact

#### Less installation depth for more storage space



- > Required internal installation depth of only 63 mm
- > Required internal installation height of only 173 mm

### Extremely Easy

#### More clarity for fewer questions during installation



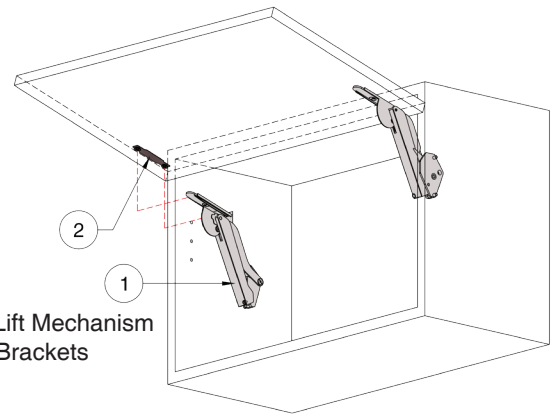
### Extremely Adaptable

#### More design freedom with less effort



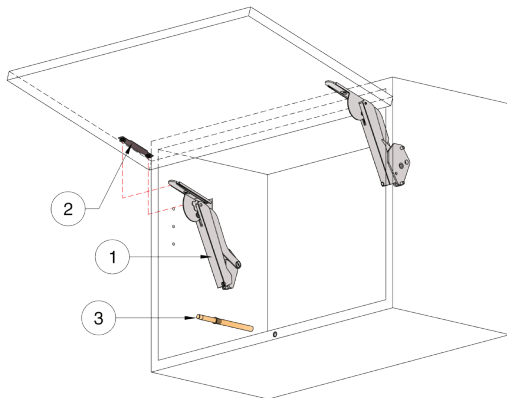
## FREE SPACE

### Product Specification



#### Free space 1.1

- 1 Free Space Lift Mechanism
- 2 Front Fixing Brackets



#### Free space 1.8 Push to Open

- 1 Free Space Lift Mechanism
- 2 Front Fixing Brackets
- 3 Push to Open Trigger

### Mechanism Selection Table

| Cabinet Height (mm) | Free Space        |               |               |               |           |
|---------------------|-------------------|---------------|---------------|---------------|-----------|
|                     | B (1.11 & 1.8)    | C(1.11 & 1.8) | D(1.11 & 1.8) | E(1.11 & 1.8) | F(1.11)   |
|                     | Flap Weight in Kg |               |               |               |           |
| 225                 | 2.3-4.3           | 3.8-7.1       | 6.4-9.3       | 9.2-13.4      | 13.4-19.1 |
| 250                 | 1.9-3.9           | 3.4-6.4       | 5.8-9.1       | 8.3-12.6      | 12.1-17.2 |
| 275                 | 1.9-3.5           | 3.1-5.8       | 5.3-8.2       | 7.5-12.0      | 11.0-15.6 |
| 300                 | 1.7-3.2           | 2.8-5.3       | 4.8-7.5       | 6.9-11.0      | 10.1-14.3 |
| 325                 | 1.6-3.0           | 2.6-4.9       | 4.4-7.0       | 6.4-10.2      | 9.3-13.2  |
| 350                 | 1.5-2.8           | 2.4-4.6       | 4.1-6.5       | 5.9-9.5       | 8.6-12.3  |
| 375                 | 1.3-2.6           | 2.2-4.3       | 3.8-6.0       | 5.5-8.8       | 8.1-11.4  |
| 400                 | 1.2-2.4           | 2.1-4.0       | 3.6-5.6       | 5.2-8.3       | 7.6-10.7  |
| 425                 | 1.1-2.3           | 2.0-3.8       | 3.4-5.3       | 4.9-7.8       | 7.1-10.1  |
| 450                 | 1.0-2.1           | 1.9-3.5       | 3.2-5.0       | 4.6-7.3       | 6.7-9.5   |
| 475                 | 1.0-2.0           | 1.8-3.4       | 3.0-4.7       | 4.3-7.0       | 6.4-9.0   |
| 500                 | 0.9-1.9           | 1.7-3.2       | 2.9-4.5       | 4.1-6.6       | 6.0-8.6   |
| 525                 | 0.9-1.8           | 1.6-3.0       | 2.7-4.3       | 3.9-6.3       | 5.7-8.2   |
| 550                 | 0.8-1.7           | 1.5-2.9       | 2.6-4.1       | 3.7-6.0       | 5.5-7.8   |
| 575                 | 0.8-1.7           | 1.4-2.8       | 2.5-3.9       | 3.6-5.7       | 5.2-7.4   |
| 600                 | 0.8-1.6           | 1.4-2.7       | 2.4-3.7       | 3.4-5.5       | 5.0-7.1   |
| 625                 | 0.7-1.5           | 1.3-2.5       | 2.3-3.6       | 3.3-5.3       | 4.8-6.8   |
| 650                 | 0.7-1.5           | 1.3-2.4       | 2.2-3.5       | 3.2-5.1       | 4.6-6.6   |

## FREE SPACE

### Ordering information

#### Standard Configuration Sets & Components



#### Free space 1.11

| Model    | Anthracite | Grey       | White      |
|----------|------------|------------|------------|
| <b>B</b> | 372.27.920 | 372.27.925 | 372.27.930 |
| <b>C</b> | 372.27.921 | 372.27.926 | 372.27.931 |
| <b>D</b> | 372.27.922 | 372.27.927 | 372.27.932 |
| <b>E</b> | 372.27.923 | 372.27.928 | 372.27.933 |
| <b>F</b> | 372.27.924 | 372.27.929 | 372.27.934 |

Consists of: Free space 1.11 Lift Mechanism - Left and Right and 2 Front Fixing Brackets for Wooden Front Panels or Front Panels with Wide Aluminium Frame (Min. Frame Width: 45 mm).

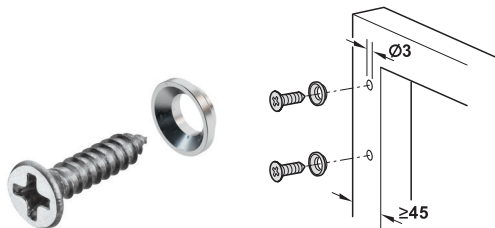
#### Free space 1.8 Push to Open

| Model        | Anthracite | Grey       | White      |
|--------------|------------|------------|------------|
| <b>B PTO</b> | 372.27.935 | 372.27.939 | 372.27.943 |
| <b>C PTO</b> | 372.27.936 | 372.27.940 | 372.27.944 |
| <b>D PTO</b> | 372.27.937 | 372.27.941 | 372.27.945 |
| <b>E PTO</b> | 372.27.938 | 372.27.942 | 372.27.946 |

Consists of: Free space 1.8 Push-to-Open Lift Mechanism - Left and Right, 2 Front Fixing Brackets for Wooden Front Panels or Front Panels with Wide Aluminium Frame (Min. Frame Width: 45 mm) and Push-to-Open Trigger.

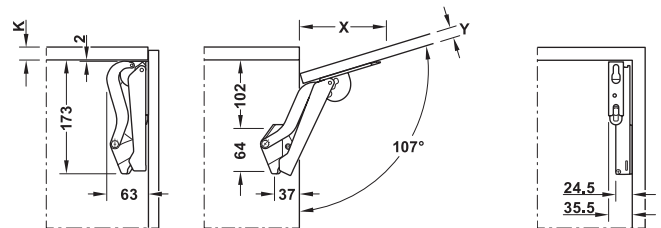
#### Individual Components

##### Fixing screws for flaps with aluminium frame



> For wide aluminium shutters, where width of frame  $\geq 45$  mm

#### Planning and Space Requirement



| Front panel thickness Y mm                                   | 16  | 18  | 19  | 22 | 24 | 26 | 28 |
|--|-----|-----|-----|----|----|----|----|
| Distance X mm<br>(with cabinet top panel<br>thickness 16 mm) | 117 | 110 | 107 | 96 | 90 | 83 | 76 |

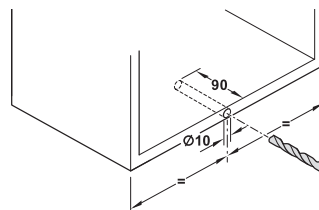
#### Supplied with

4 screws and 4 collar rings

| Material | Finish        | Article No. |
|----------|---------------|-------------|
| Steel    | Nickel plated | 372.27.600  |

Unit: 1 Set

#### Push-to-Open Trigger installation



Hafele Free space  
Overview



SCAN ME

Free space 1.11



SCAN ME

Free space 1.8  
Push-to-Open



SCAN ME



# INTERNAL QUALITY CERTIFICATE.



We herewith confirm that the following furniture resp. flap fitting:



Type: **Häfele Free space 1.11**

is tested internally on a regular basis at our production facilities according to DIN EN 15828 furniture standard for:

- > Static and dynamic overload: in line with level 3 specifications
- > Function incl. opening and closing forces: in line with level 3 specifications
- > Durability: min. 80.000 opening and closing cycles (corresponding to double the norm standard)
- > Sagging resistance: < 0,5% of cabinet width
- > Corrosion resistance: three cycles AHT in accordance to EN ISO 6270-2

The continuous compliance of our products with the relevant norm specifications ensures perfect function and lasting comfort over their lifetime.



## FREE SPACE

HÄFELE

INTERNAL QUALITY  
CERTIFICATE.

We herewith confirm that the following furniture resp. flap fitting:



Type: **Häfele Free space 1.8 push**

is tested internally on a regular basis at our production facilities according to DIN EN 15828 furniture standard for:

- > Static and dynamic overload: in line with level 3 specifications
- > Function incl. opening and closing forces: in line with level 3 specifications
- > Durability: min. 80.000 opening and closing cycles (corresponding to double the norm standard)
- > Sagging resistance: < 0,5% of cabinet width
- > Corrosion resistance: three cycles AHT in accordance to EN ISO 6270-2

The continuous compliance of our products with the relevant norm specifications ensures perfect function and lasting comfort over their lifetime.