

HÄFELE



MATRIXBOX PREMIUM



MATRIXBOX PREMIUM

1

MatrixBox Premium



The **MatrixBox Premium** drawer system, manufactured at Hafele's own factory in Kenzingen, Germany, operates smoothly, opens swiftly and closes with precision.

This premium drawer system features simple assembly and easy adjustment as well as unrivalled design and flexibility in application. It is suitable for installation in kitchens, bedrooms, bathrooms and home offices, as well as commercial and industrial environments. MatrixBox Premium offers the widest range of accessories, comes equipped with Soft-Close as well as Push-to-Open Soft-Close runner system functionalities in weight carrying capacities of 35 kg. and 50 kg and is available in Metallic Anthracite, Metallic Silver and White finishes

MATRIXBOX PREMIUM



ADVANTAGES OF MATRIXBOX PREMIUM



EASY ASSEMBLY

Ease in preparation – The base and rear panels of the MatrixBox Premium drawers are required to be of the same width.
Ease of installation - The pre-assembled rear panel fixing bracket on the drawer sides can directly be screwed to the rear panel. Furthermore, the assembly / disassembly of the front can be carried out tool-free.



EXTENSIVE RANGE

The MatrixBox Premium drawer systems can adapt to your individual requirements thanks to their modular system structure, buildable configurations and large range of matching accessories.



VARIABLE USAGE

Due to its load bearing capacity (35/50 kg), modularity and universal design aesthetics, the range can be implemented in any area, be it the kitchen, bathroom, living room, office or store.



VERSATILE DESIGN

Thanks to the 3 colour choices, individual side panels, internal drawer panels and the push-to-open soft-close option for handle-free furniture designs, this range provides you with freedom to adapt your drawer designs to flawlessly complement the overall interior theme.



GENEROUS SPACE

The MatrixBox Premium drawers are built to provide more usable space due to the straight 90° inner wall of the drawer sides. The straight wall also provides greater stability to the items stored within while the full extension feature enables you to have a better overview of the drawer contents.



EXCELLENT PERFORMANCE

The drawer systems display optimised running and closing characteristics due to synchronized runners with fluid damper and cushioned end stop in the open position.



COMFORTABLE ADJUSTMENT

The height and side adjustments of the front panel can be carried out from the top of the drawer sides, this helps carry out adjustments easily even in confined spaces. The front panel can be seamlessly readjusted even with items stored in the drawer.



GERMAN QUALITY

Matrixbox Premium drawer systems are developed and produced at Hafele's own factory in Kenzingen, Germany. Having cycle tested for 100,000 times, these systems meet and even exceed the LGA certification requirements. They additionally come with the best operating characteristics, inherent elegant motions and smooth closing in accordance with the certified Hafele quality standards.

MATRIXBOX PREMIUM



Standard Drawers

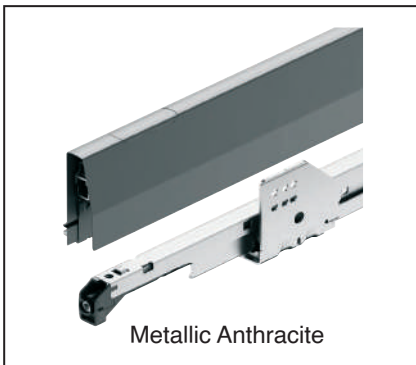


Inner Drawers

- MatrixBox Premium, the modular drawer system, opens up new design opportunities for kitchens, living rooms, offices, bathrooms, and stores.
- Robust, contemporary and easy to install.
- Streamline design
- Vertically running 90° inner drawer side
- Height and side adjustments from the top of the drawer sides
- Smooth synchronised runner movement
- Drawer sides in 3 appealing, trendy colours
- 100,000 cycle tested
- Aesthetic inner drawer design
- Multiple design and customisation possibilities with the help of matching add-ons and accessories

- Material: Steel
- Finish: White, Metallic Anthracite and Metallic Silver
- Type of pull-out: Full extension with integrated Soft-Close or with Push-to-Open Soft-Close progressive roller for smooth running action

Drawer Side Colours



Metallic Anthracite



Metallic Silver



White

Runner System Functionalities

Full extension with integrated Soft-Close:

The drawer is opened manually by pulling the handle. On the other hand, when it is closed, the fluid soft closing mechanism integrated in the cabinet runner takes over and the drawer is automatically and silently closed to the end position.

Full extension with Push-to-Open Soft-Close:

The drawer opens mechanically and automatically by a gentle tap anywhere on the handle-free front panel. This function can also be used for opening wide drawer pull-outs effortlessly using a synchronisation rod. A gentle push on the front panel closes the drawer and the integrated Soft-Close then takes over and pulls it gently to the closing position.

MATRIXBOX PREMIUM

1

MatrixBox Premium

Highlights

Universal application



MatrixBox Premium offers a contemporary, universally deployable drawer system whose modularity and universal design aesthetics transform any area, be it the kitchen, bathroom, living room, office or stores into an area where the customer will immediately feel comfortable and well equipped.

Easy installation



The MatrixBox Premium can be effortlessly and functionally assembled and installed thanks to its well thought-out basic structure. Rational and functional preparation of the base and rear panel is possible due to their identical cut widths. The pre-mounted rear panel bracket also eases installation and allows the drawer side to be assembled and screwed on quickly to the rear panel. To simplify installation further, the front panel can be assembled and disassembled without tools and the height and side adjustment of the front panel takes place from the top of the drawer side, making it easy to carry out adjustments even in confined spaces.

Versatile Design



Because of its modularity, MatrixBox Premium offers countless design and customisation options. Its modern and streamlined design can be consistently implemented in standard as well as inner drawers. The 3 trendy colours make the drawer systems stand out from the moment the front panel opens. This impression is reinforced by the contemporary and elegant straight-edged railings.

Both standard and inner drawers can be equipped with inserts made from glass, wood, acrylic or stone, giving each item of furniture a unique note. The Lateral Décor Insert Holders in Standard Drawers ensure that the drawer sides can undergo customisation to meet each customer's individual design vision – even the most extraordinary ones. The Inner Drawers with Décor Insert Holders for the front and side can continue the same design philosophy to flawlessly complement the overall interior aesthetics.

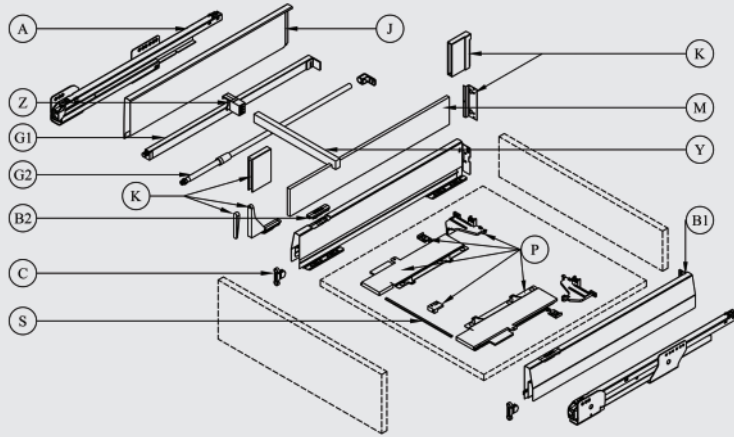
The finishing touches to the drawer design are given by the optional add-ins and extensions such as height extension side panels, cross railings and also the under sink pull out, that make the modular system complete for all requirements.

MATRIXBOX PREMIUM

1

Standard Drawer Application

Components:



- A:** Cabinet Runners with Soft-Close or Push-to-open Soft-Close
- B1:** Drawer Sides
- B2:** Cover Caps
- C:** Front Fixing Brackets
- P:** Push-to-Open Kit
- S:** Synchronisation Rod
- G1:** Rectangular Side Railings
- G2:** Round Side Railings
- J:** Height Extension Side Panels
- K:** Lateral Décor Insert Holder Set
- M:** Lateral Décor Insert *
- Y:** Rectangular Cross Rail
- Z:** Rectangular Cross Rail Connectors

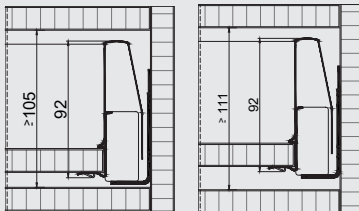
* Décor inserts are not provided by Häfele. They need to be sourced and prepared separately as per calculations.

Planning – Space Requirement

Drawer Side Height: 92 mm

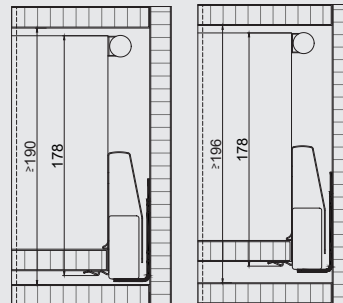
With Round or Rectangular Railing

With Lateral Décor Insert Holder



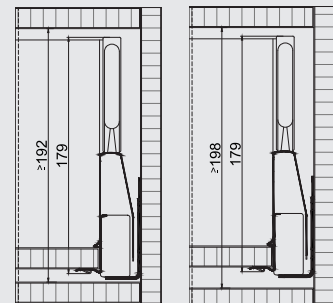
Soft-Close

Push-to-Open
Soft-Close



Soft-Close

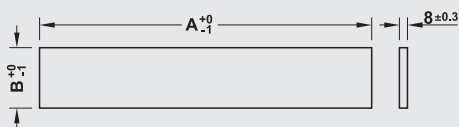
Push-to-Open
Soft-Close



Soft-Close

Push-to-Open
Soft-Close

Cutting dimensions – Lateral Décor Insert (M)

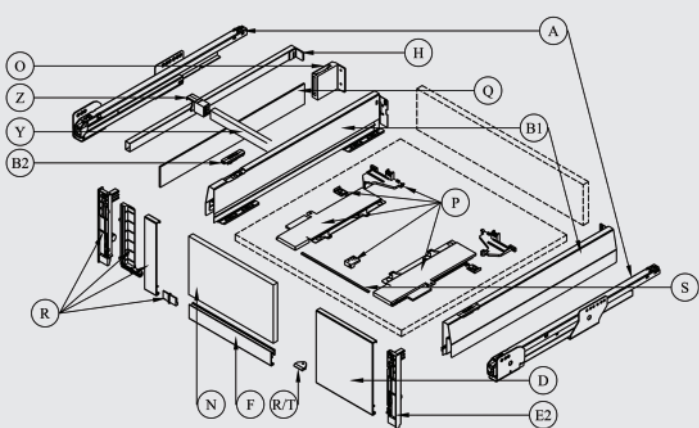


Length A = nominal length of cabinet runner – 45 mm
Height B = 82 mm

MATRIXBOX PREMIUM

Inner Drawer Application

Components:

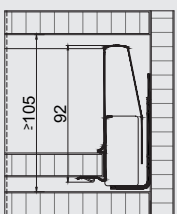
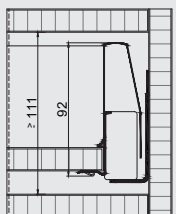
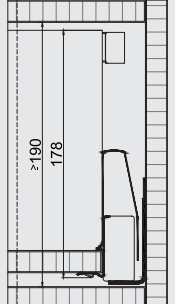
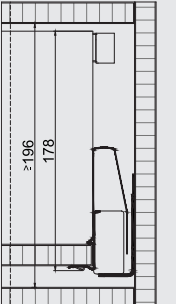


- A:** Cabinet Runners with Soft-Close or Push-to-open Soft-Close
- B1:** Drawer Sides
- B2:** Cover Caps
- P:** Push-to-Open Kit
- S:** Synchronisation Rod
- D:** Inner Drawer Front Panel (102 / 189 mm)
- E:** Inner Drawer Front Fixing Brackets (102 / 189 mm)
- H:** Rectangular Side Railings and Adapters for Inner Drawers
- O:** Rear Lateral Décor Insert Holder
- Q:** Lateral Décor Insert for Inner Drawers*
- F:** Front Panel Profile
- R:** Front Décor Insert Holder Set
- N:** Front Décor Insert*
- T:** Front Stabilisation Clip
- Y:** Rectangular Cross Rail
- Z:** Rectangular Cross Rail Connectors

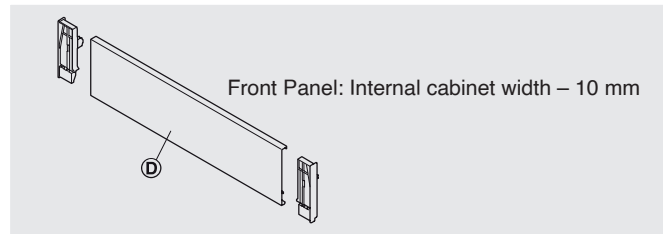
* Décor inserts are not provided by Häfele. They need to be sourced and prepared separately as per calculations

Planning – Space Requirement

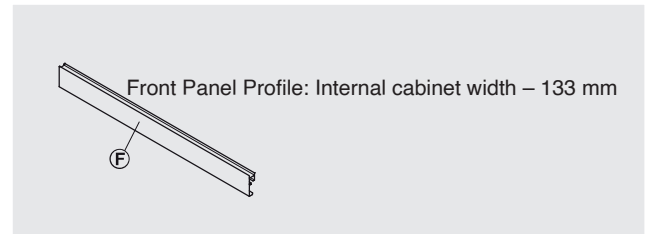
Drawer Side Height: 92 mm

With Rectangular Railing		With Rectangular Railing and Rear Lateral Décor Insert Holder	
			
Soft-Close	Push-to-Open Soft-Close	Soft-Close	Push-to-Open Soft-Close

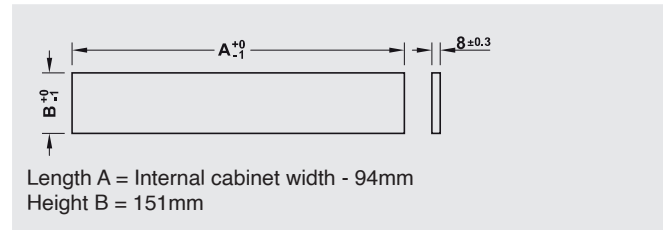
Cutting dimensions – For Inner Drawer Front Panel



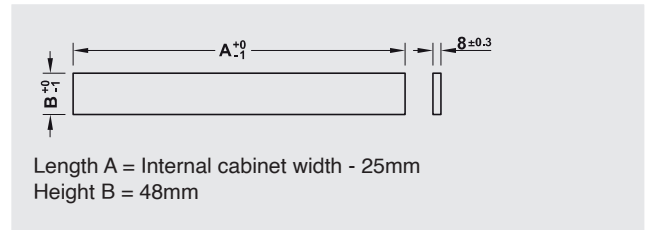
Cutting dimensions – For Front Panel Profile



Cutting dimensions – For Front Décor Insert (N)



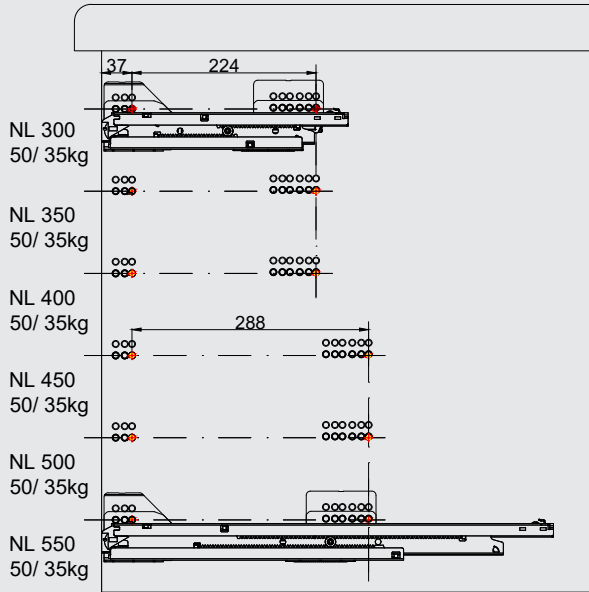
Cutting dimensions – For Lateral Décor Insert (Q)



MATRIXBOX PREMIUM

1

Drilling Pattern for Cabinets



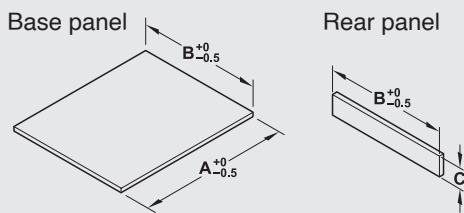
Install the MatrixBox Premium Runners onto the cabinet side panels by screw-fixing the:

- 3rd screw hole: For Standard Drawers
- 1st screw hole: For Inner Drawers with wooden panel
- 2nd screw hole: For Inner Drawers with aluminium panel

Front gap 1 mm

Note: The 35 kg runner has only one screw hole row in height while the 50 kg. runner has two screw hole rows in height .

Cutting dimensions for panels (panel thickness of 16mm)



A = nominal length - 3mm
 B = internal cabinet width - 62 mm
 C = height

Drawer side height	Rear panel height C
92 mm	69 mm
Railing / height extension side panel / lateral Décor insert holder 92 mm	157 mm

Calculation of the Internal Drawer Space Dimensions

Formula:
 Internal drawer width = External Cabinet width - (2 X side panel thickness) - (2 X installation dimension)

Example (Let's assume that the External Cabinet Width = 600mm and Side Panel Thickness = 19 mm)
 Internal drawer width = 600 - (2X19) - (2X31)
 Internal drawer width = 600 - 38 - 62
 Internal drawer width = 500mm

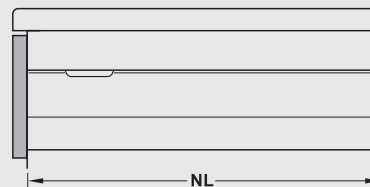
External cabinet width mm	300	400	500	600	800
Side panel thickness mm	Internal drawer width mm				
16	206	306	406	506	706
19	200	300	400	500	700

Internal drawer width e.g:

Formula:
 Internal drawer depth = Nominal length of cabinet runner - Installation dimension - rear panel thickness

Example (If the Nominal Length = 500mm)
 Internal drawer depth = 500 - 3 - 16
 Internal drawer depth = 481mm

Internal Cabinet Depth

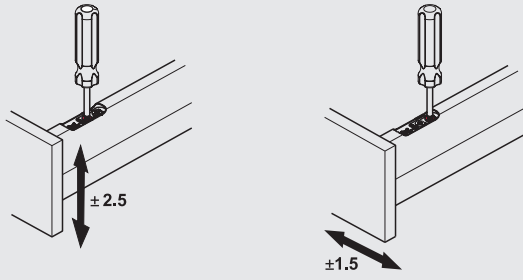


Min. internal cabinet depth = nominal length NL + 3 mm

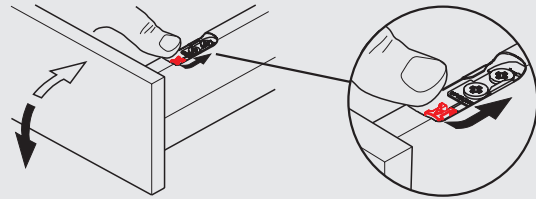
MATRIXBOX PREMIUM

Adjustments

Convenient height and side adjustment from above when installed

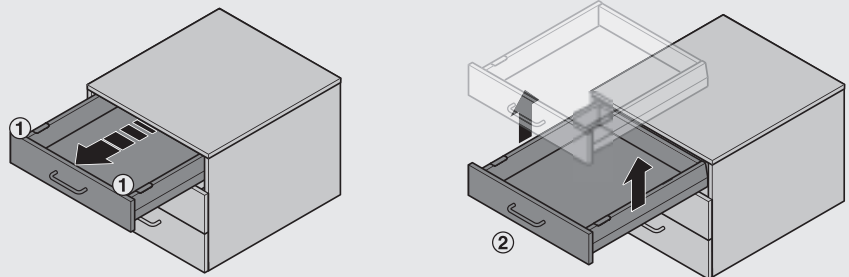
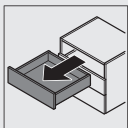
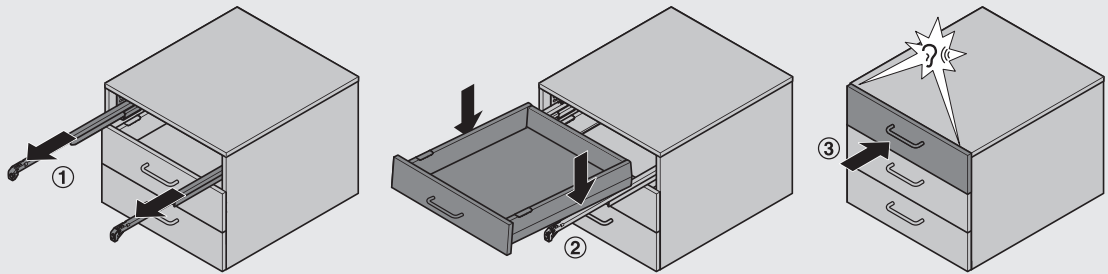
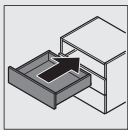


No tools required for mounting and removing the front panel



Note: Side adjustment with 92 mm drawer sides can be done from the right side

Installation and removal of the drawer



SCAN ME

MATRIXBOX PREMIUM

How to Order

- Because of its modularity, MatrixBox Premium offers countless design and customisation options.
- Ordering has never been this easy
- The base components that go into a standard drawer configuration, i.e. cabinet runners, drawer sides with rear fixing panels, cover caps and front fixing brackets, remain the same across different configurations and hence have been clubbed into article sets
- To achieve a different application, for e.g. that of a high-fronted drawer pull-out, all you need to do is include add-ons like side railings, glass inserts etc.
- The steps to follow while ordering the desired configuration are defined in the next few pages.

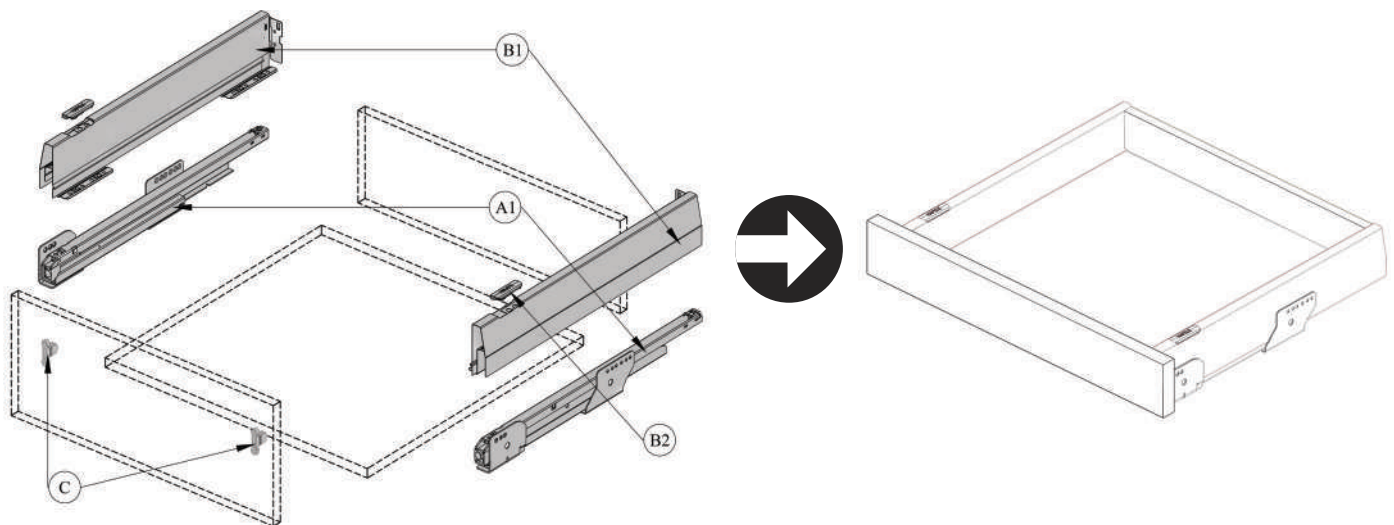
STEP 1 SELECT AN ARTICLE FROM THE BASE DRAWER CONFIGURATION TABLE

MatrixBox Premium - Integrated Soft-Close Sets

Nominal Length (NL) (mm)	With Integrated Soft Close		
	Metallic Silver	Metallic Anthracite	White
Load Bearing Capacity : 35 Kg., Drawer Side Height: 92 mm			
300	513.24.901	513.24.301	513.24.701
350	513.24.902	513.24.302	513.24.702
400	513.24.903	513.24.303	513.24.703
450	513.24.904	513.24.304	513.24.704
500	513.24.905	513.24.306	513.24.705
550	513.24.906	513.24.305	513.24.706
Load Bearing Capacity : 50 Kg., Drawer Side Height: 92 mm			
500	513.24.915	513.24.315	513.24.715
550	513.24.916	513.24.316	513.24.716

The above-mentioned article numbers consist of the following:

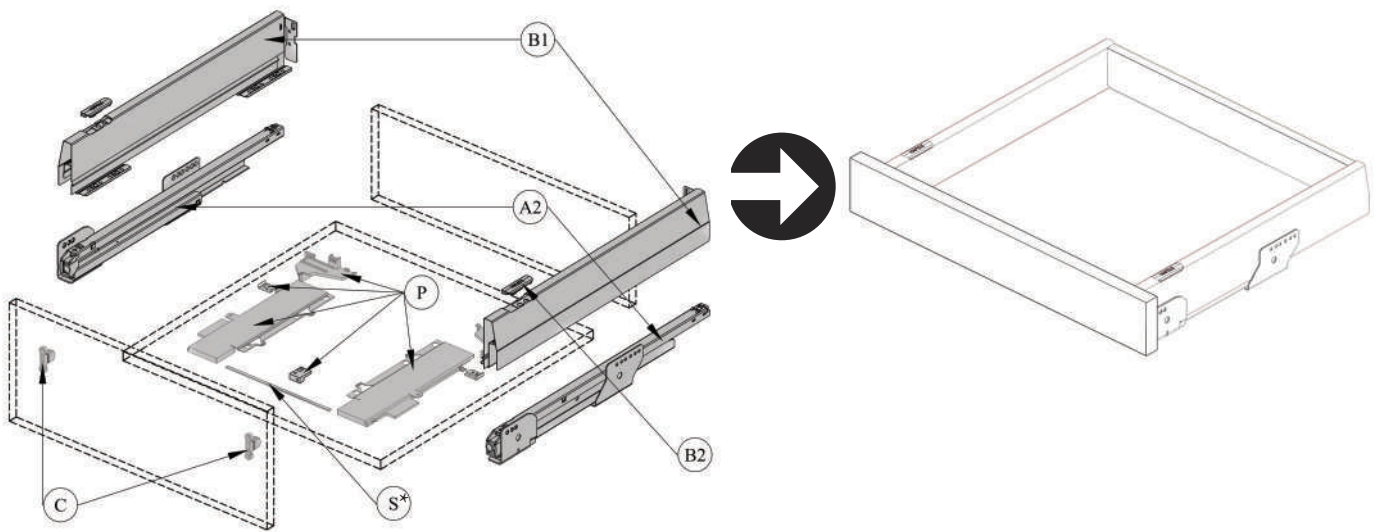
A1	Cabinet Runners with Integrated Soft-Close, Left and Right
B1	Drawer Sides with Rear Panel Brackets, Left and Right
B2	Cover Caps with Hafele Logo, Left and Right
C	Front Fixing Brackets for Screw Fixing, Pair



MatrixBox Premium Push-to-Open Soft-Close Sets:

Nominal Length (NL) (mm)	With Push-to-open Soft Close		
	Metallic Silver	Metallic Anthracite	White
Load Bearing Capacity : 35 Kg., Drawer Side Height: 92 mm			
450	513.24.924	513.24.324	513.24.724
500	513.24.925	513.24.325	513.24.725
550	513.24.926	513.24.326	513.24.726
Load Bearing Capacity : 50 Kg., Drawer Side Height: 92 mm			
500	513.24.935	513.24.335	513.24.735
550	513.24.936	513.24.336	513.24.736

The above-mentioned article numbers consist of the following:	
A2	Cabinet Runners with Push-to-Open Soft-Close, Left and Right
B1	Drawer Sides with Rear Panel Brackets, Left and Right
B2	Cover Caps with Hafele Logo, Left and Right
C	Front Fixing Brackets for Screw Fixing, Pair
P	Push-to-Open Kit

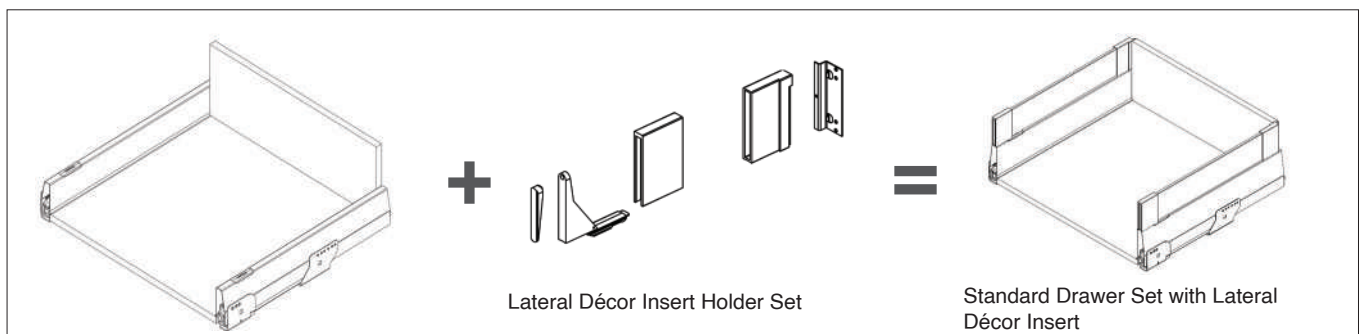
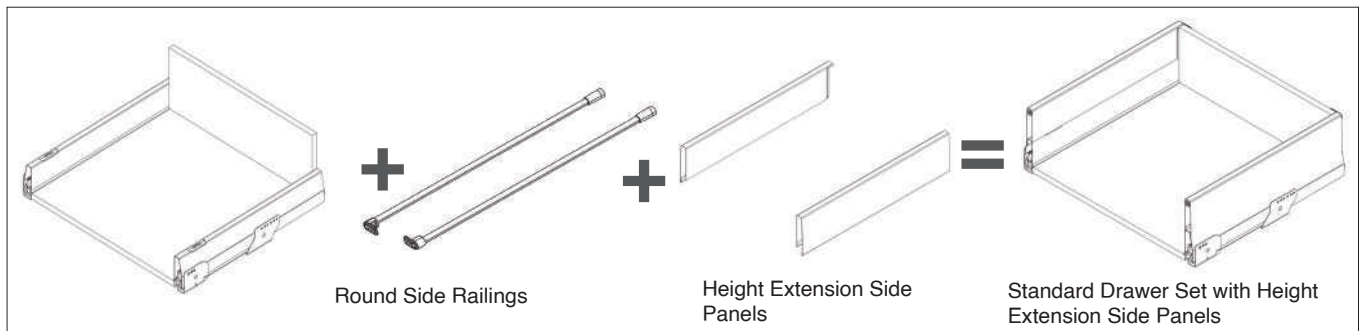
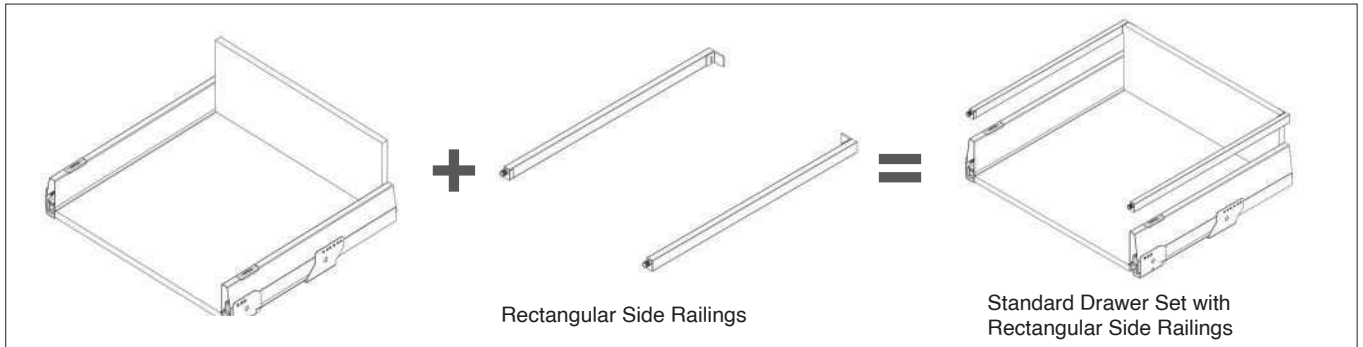


* Synchronisation Rod is not a part of the set and needs to be ordered separately as a mandatory component in assembly.

MATRIXBOX PREMIUM

STEP 2 CHOOSE AN ADD-ON ACCESSORY TO ACHIEVE A HIGH-FRONTED DRAWER APPLICATION

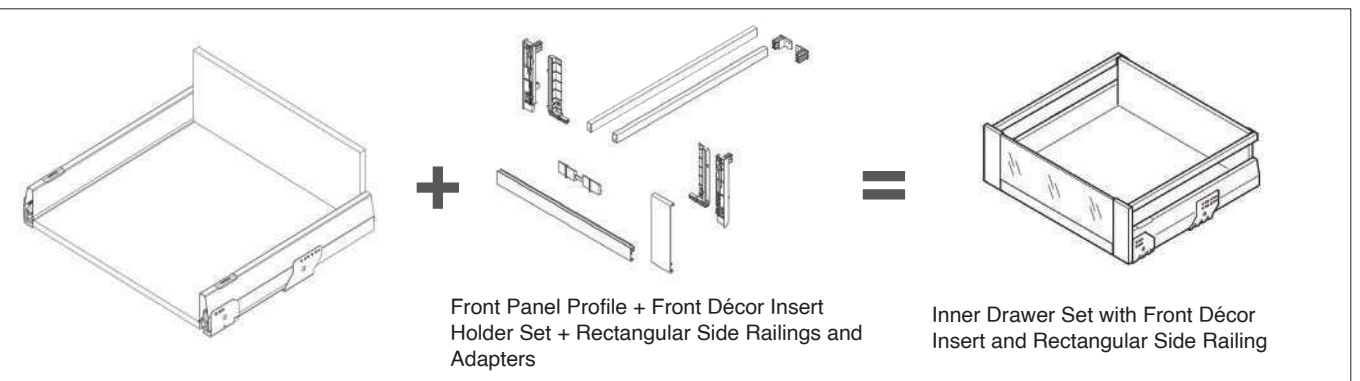
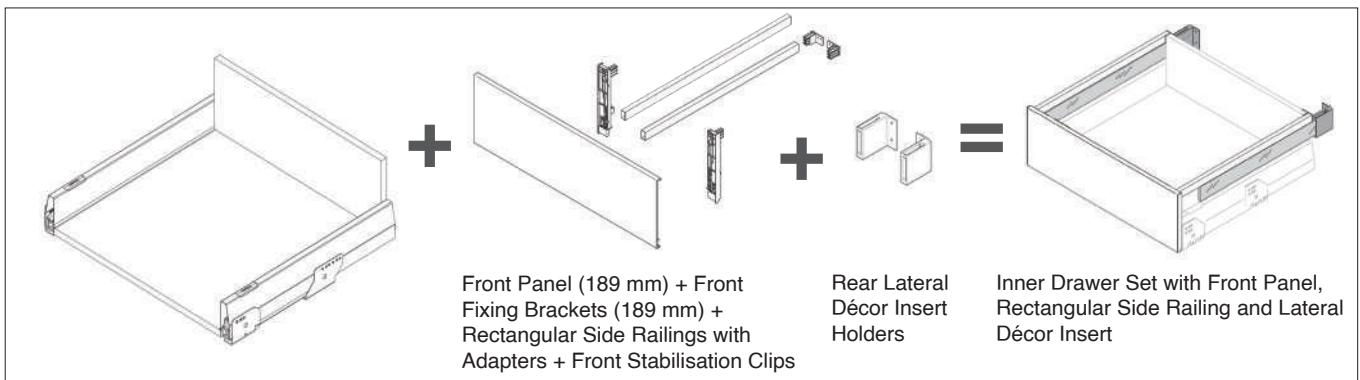
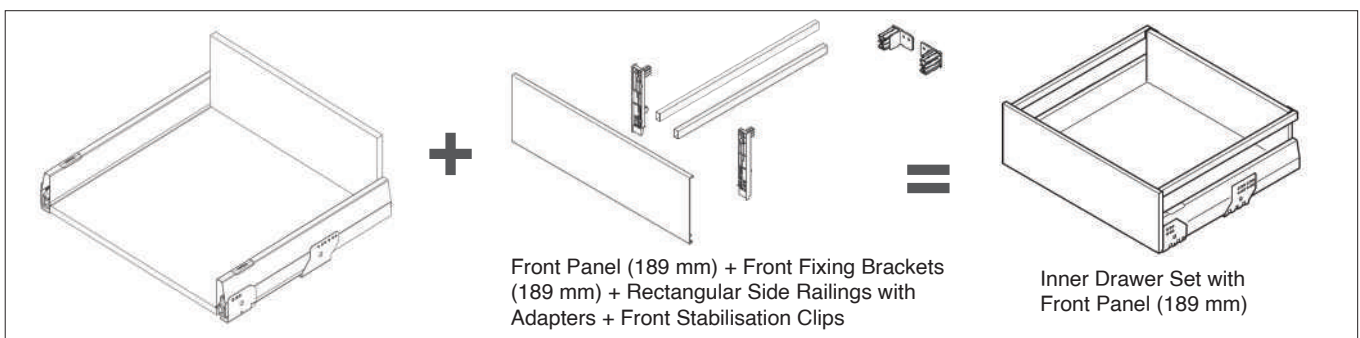
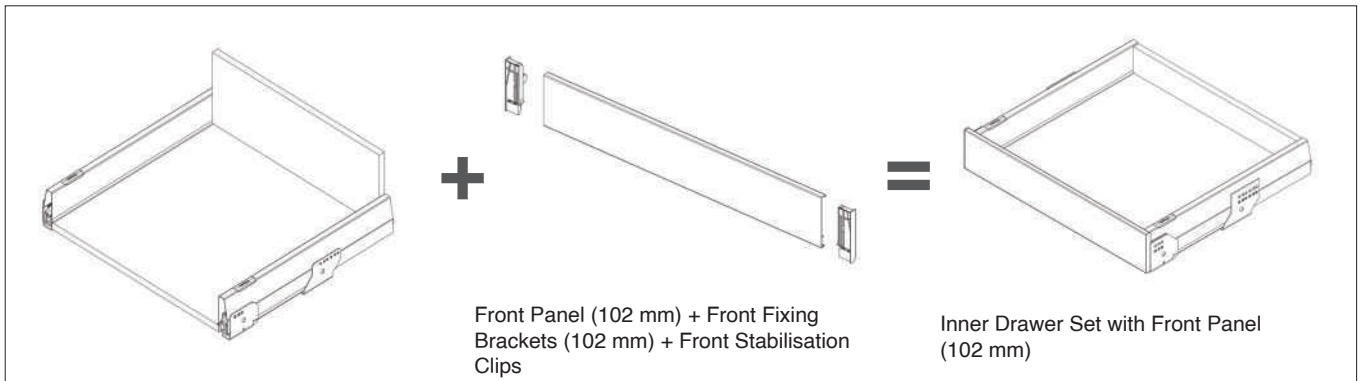
For Standard Drawer Configurations



Note :

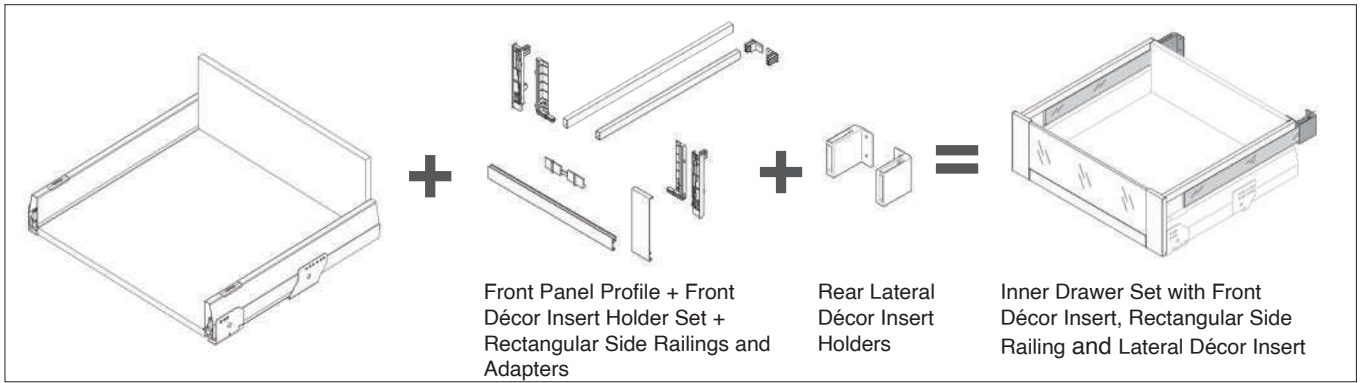
1. Décor inserts are not provided by Häfele. They need to be sourced and prepared separately as per calculations.
2. The above configurations apply for both, Soft-Close and Push-to-Open Soft-Close Applications

For Inner Drawer Configurations

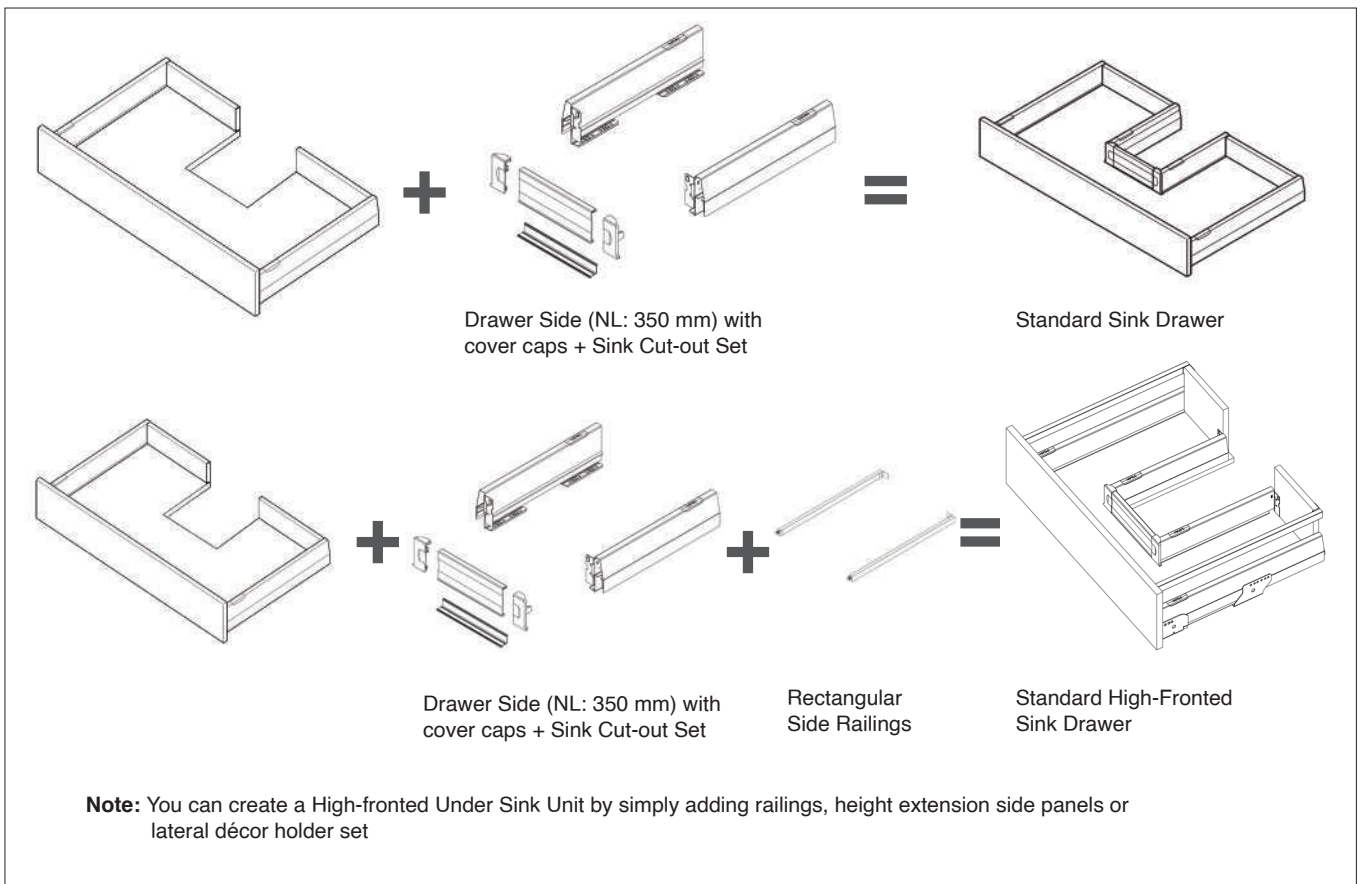


Note:

1. Décor inserts are not provided by Häfele. They need to be sourced and prepared separately as per calculations.
2. The above configurations apply for both, Soft-Close and Push-to-Open Soft-Close Applications



FOR SINK DRAWER (NL: 500 mm)



Note:

1. Décor inserts are not provided by Häfele. They need to be sourced and prepared separately as per calculations.
2. The above configurations apply for both, Soft-Close and Push-to-Open Soft-Close Applications

ORDERING INFORMATION

1

MATRIXBOX PREMIUM - STANDARD DRAWER

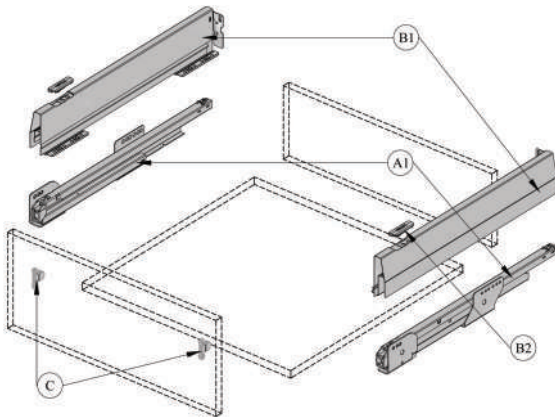
1

Standard 92 mm Drawer Set



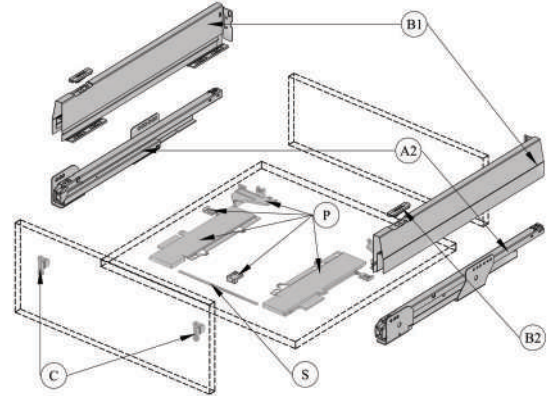
Easy Assembly	Comfortable Adjustment	Extensive Range	Versatile Design	Variable Usage	Excellent Performance	Generous Space	German Quality

- > Material: Drawer Sides and runners: Steel
- > Finish: Drawer sides: Metallic Anthracite, Metallic Silver and White
- > Runner Technology: With integrated Soft-Close or with Push-to-Open Soft-Close



Soft-Close

A1	Cabinet Runners with Soft-Close
B1	Drawer Sides
B2	Cover Caps
C	Front Fixing Brackets



Push-to-Open Soft-Close

A2	Cabinet Runners with Push-to-Open Soft-Close
B1	Drawer Sides
B2	Cover Caps
C	Front Fixing Brackets
P	Push-to-Open Kit
S	Synchronisation Rod

* Synchronisation Rod is not a part of the BOM set and needs to be ordered separately


Ordering

Sets


Nominal Length (NL) (mm)	Soft-Close			With Push-to-Open Soft-Close		
	Metallic Silver	Metallic Anthracite	White	Metallic Silver	Metallic Anthracite	White
Load Bearing Capacity : 35 Kg., Drawer Side Height: 92 mm						
300	513.24.901	513.24.301	513.24.701	-	-	-
350	513.24.902	513.24.302	513.24.702	-	-	-
400	513.24.903	513.24.303	513.24.703	-	-	-
450	513.24.904	513.24.304	513.24.704	513.24.924	513.24.324	513.24.724
500	513.24.905	513.24.306	513.24.705	513.24.925	513.24.325	513.24.725
550	513.24.906	513.24.305	513.24.706	513.24.926	513.24.326	513.24.726
Load Bearing Capacity : 50 Kg., Drawer Side Height: 92 mm						
500	513.24.915	513.24.315	513.24.715	513.24.935	513.24.335	513.24.735
550	513.24.916	513.24.316	513.24.716	513.24.936	513.24.336	513.24.736

MATRIXBOX PREMIUM - STANDARD DRAWER


Individual Components

		
NL (mm)	Load Bearing Capacity	
	35 kg	50 kg
300	551.50.441	-
350	551.50.442	-
400	551.50.443	-
450	551.50.444	-
500	551.50.445	553.50.425
550	551.50.446	553.50.426


Unit: 1 Pair

			
NL (mm)	Colour		
	Metallic Silver	Metallic Anthracite	White
300	513.02.901	513.02.301	513.02.701
350	513.02.902	513.02.302	513.02.702
400	513.02.903	513.02.303	513.02.703
450	513.02.904	513.02.304	513.02.704
500	513.02.905	513.02.305	513.02.705
550	513.02.906	513.02.306	513.02.706


Unit: 1 Pair

		
NL (mm)	Load Bearing Capacity	
	35 kg	50 kg
450	551.50.544	-
500	551.50.545	551.50.525
550	551.50.546	551.50.526

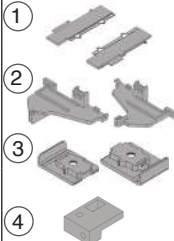
Unit: 1 Pair

	
Colour	Article No.
Metallic Silver	551.61.980
Metallic Anthracite	551.61.380
Solid White	551.61.780


Unit: 1 Pair

	
Fixing	Article No.
Screw-on	553.59.991

Unit: 1 Piece

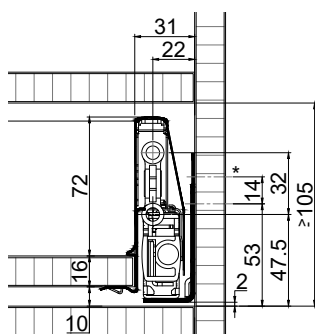
	
1. Push-to-Open Unit, Left and Right	551.80.003
2. Push-to-Open Activator Clip, Right	553.50.996
2. Push-to-Open Activator Clip, Left	553.50.997
3. Push-to-Open Locking Clip, Pair	553.50.999
4. Synchronisation Rod Support	551.80.005

Unit: 1 Piece

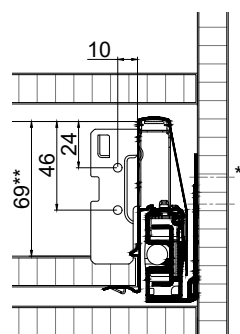
	
S: Synchronisation Rod	
For cutting to size: Internal cabinet width – 206 mm	
Upto Drawer Width of	Article No.
600 mm	551.90.160
1200 mm	551.90.161

Installation Dimensions

With Integrated Soft-Close

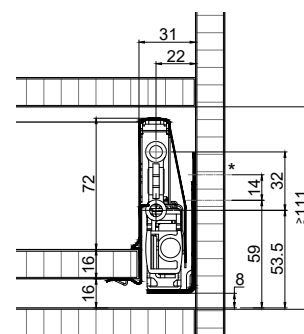


Front, screw-on

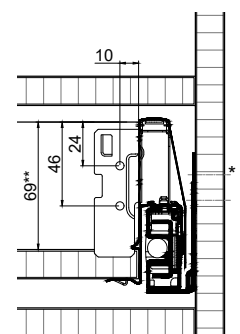


Back

With Push-to-Open Soft-Close



Front, screw-on



Back

* Top row series drilled holes and fixing screws are not required for sets with load bearing capacity of 35 kg.

** Rear panel height

MATRIXBOX PREMIUM - STANDARD DRAWER WITH RECTANGULAR RAILINGS

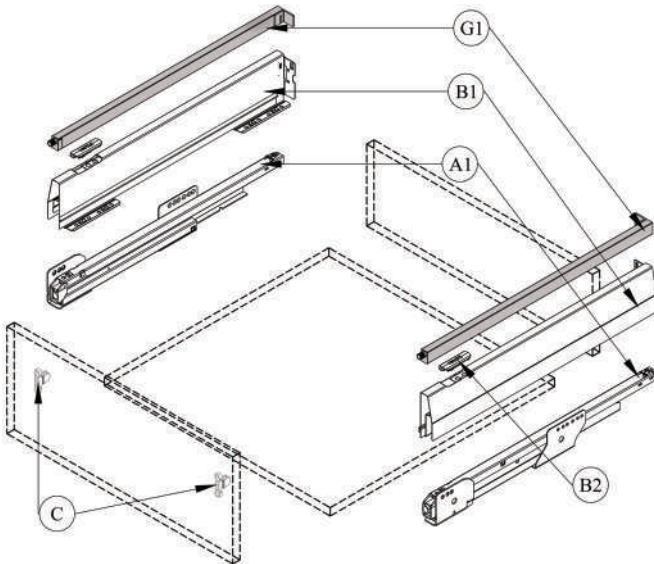
1

Standard 92 mm Drawer Set with Rectangular Side Railings



- > Runner Technology: With integrated Soft-Close or with Push-to-Open Soft-Close
- > Material: Drawer Sides and runners: Steel, Railing holder: Plastic
- > Finish: Drawer sides and railing: Metallic Anthracite, Metallic Silver and White

Components



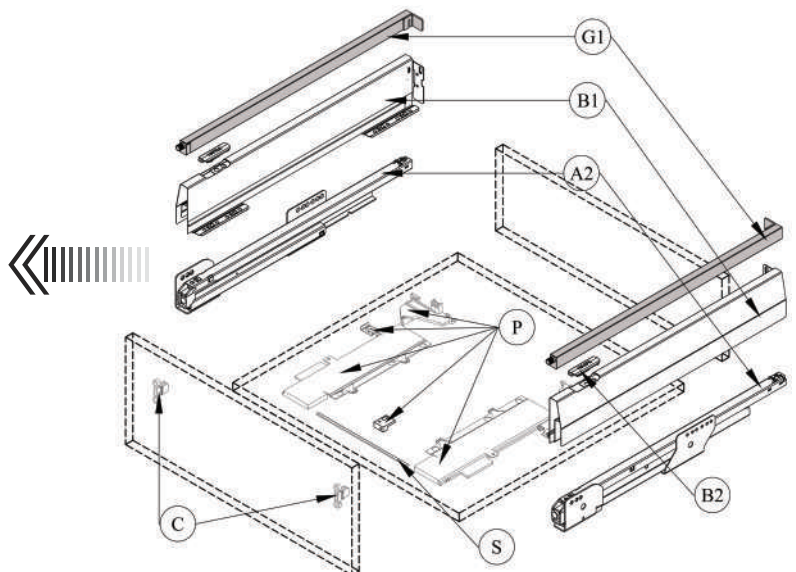
Soft-Close

A1	Cabinet Runners with Soft-Close
B1	Drawer Sides
B2	Cover Caps
C	Front Fixing Brackets
G1	Rectangular Side Railings

Push-to-Open Soft-Close

A2	Cabinet Runners with Push-to-Open Soft-Close
B1	Drawer Sides
B2	Cover Caps
C	Front Fixing Brackets
P	Push-to-Open Kit
S	Synchronisation Rod
G1	Rectangular Side Railings

P: Push-to-Open Kit Consists of: Push-to-Open Unit (Left and Right), Activator Clip (Left and Right), Push-to-Open Locking Clip (Left and Right), and Synchronisation Rod Support



MATRIXBOX PREMIUM - STANDARD DRAWER WITH RECTANGULAR RAILINGS

Ordering

MatrixBox Premium Sets - Pick base drawer configuration sets that best suit your requirements from page 1.09 and 1.10
+ Add-On

G1: Rectangular Side Railings			
Nominal Length (mm)	Colour		
	Metallic Silver	Metallic Anthracite	White
300	551.60.941	551.60.341	551.60.741
350	551.60.942	551.60.342	551.60.742
400	551.60.943	551.60.343	551.60.743
450	551.60.944	551.60.344	551.60.744
500	551.60.945	551.60.345	551.60.745
550	551.60.946	551.60.346	551.60.746

Unit: 1 Pair

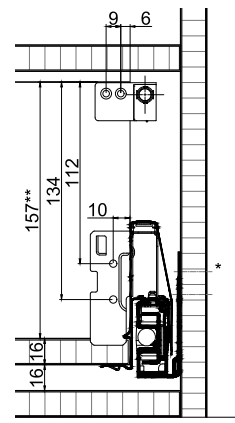
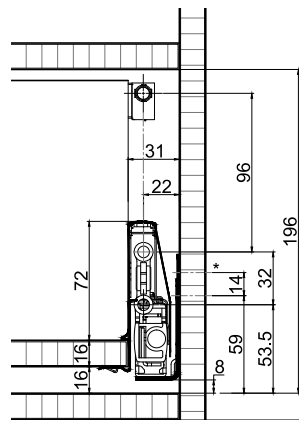
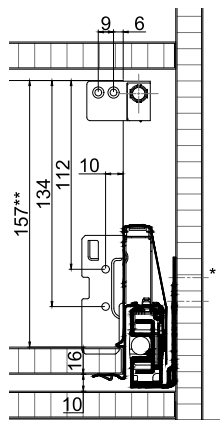
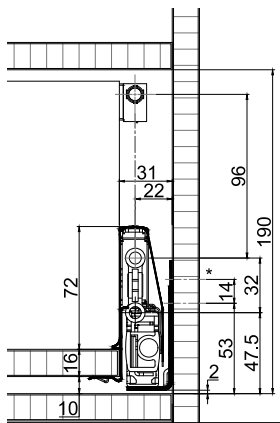
- > Rectangular railing provides distinct aesthetics
- > Colour of railing matches the drawer sides
- > Gallery Dimensions: 13.5 x 22 X Nominal Length (mm)
- > Tilting angle of front panel adjustable by ± 2 mm via the adjusting element in the railing
- > Provides additional stability for high pull-outs



Installation Dimensions

With Integrated Soft-Close

With Push-to-Open Soft-Close



Front, screw-on

Back

Front, screw-on

Back

* Top row series drilled holes and fixing screws are not required for sets with load bearing capacity of 35 kg.
 ** Rear panel height

MATRIXBOX PREMIUM - STANDARD DRAWER WITH ROUND RAILINGS

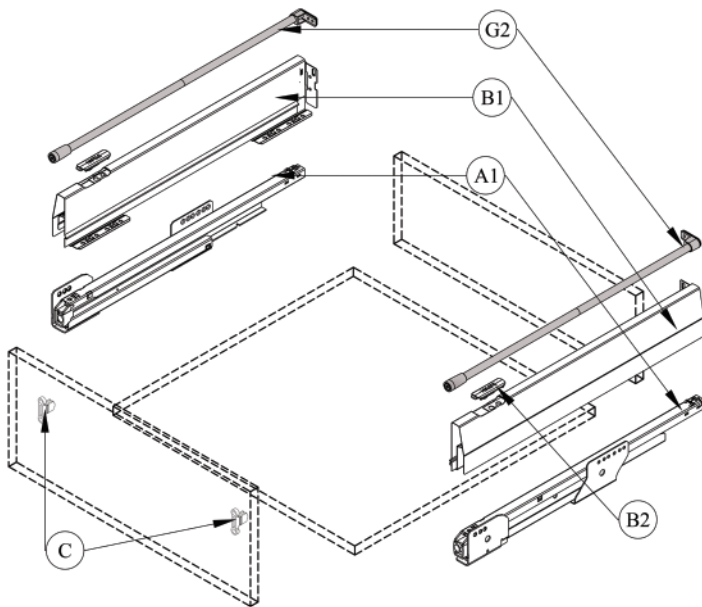
1

Standard 92 mm Drawer Set with Round Side Railings



- > Runner Technology: With integrated Soft-Close or with Push-to-Open Soft-Close
- > Material: Drawer Sides and runners: Steel, Railing holder: Plastic
- > Finish: Drawer sides and railing: Metallic Anthracite, Metallic Silver and White

Components



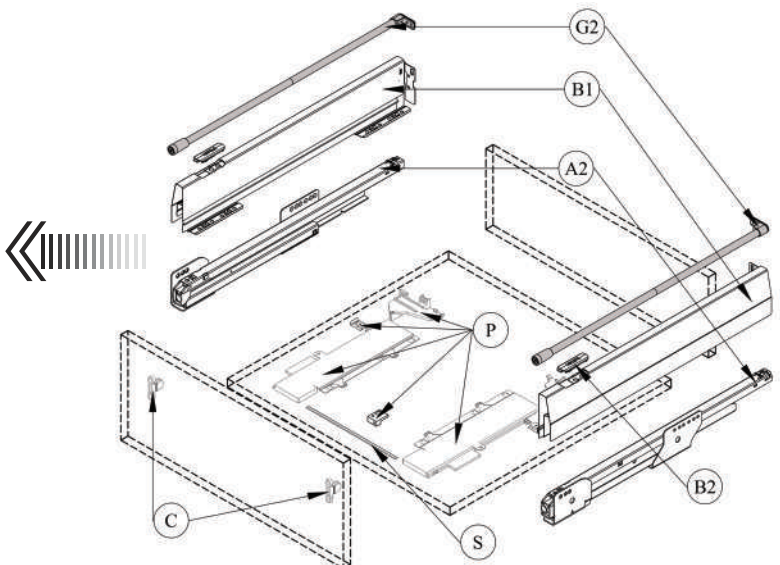
Soft-Close

A1	Cabinet Runners with Soft-Close
B1	Drawer Sides
B2	Cover Caps
C	Front Fixing Brackets
G2	Round Side Railings

Push-to-Open Soft-Close

A2	Cabinet Runners with Push-to-Open Soft-Close
B1	Drawer Sides
B2	Cover Caps
C	Front Fixing Brackets
P	Push-to-Open Kit
S	Synchronisation Rod
G2	Round Side Railings

P: Push-to-Open Kit Consists of: Push-to-Open Unit (Left and Right), Activator Clip (Left and Right), Push-to-Open Locking Clip (Left and Right), and Synchronisation Rod Support



MATRIXBOX PREMIUM - STANDARD DRAWER WITH ROUND RAILINGS

Ordering

MatrixBox Premium Sets - Pick base drawer configuration sets that best suit your requirements from page 1.09 and 1.10
+ Add-On

G2: Round Side Railings			
Nominal Length (mm)	Colour		
	Metallic Silver	Metallic Anthracite	White
450	553.58.994	553.58.394	553.58.794
500	553.58.995	553.58.395	553.58.795
550	553.58.996	553.58.396	553.58.796

Unit: 1 Pair

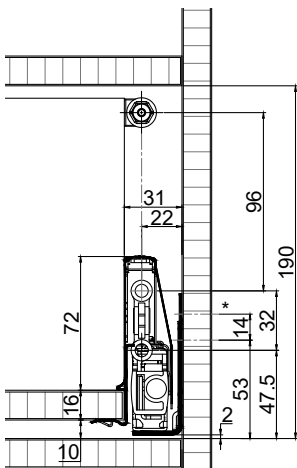
- > Colour of railing matches the drawer sides
- > Gallery Dimension: \varnothing 11 X Nominal Length (mm)
- > Tilting angle of front panel adjustable by ± 2 mm by rotating the side railing
- > Provides additional stability for high pull-outs



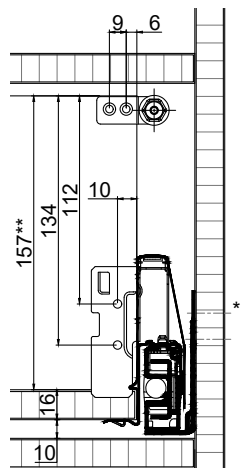
Installation Dimensions

With Integrated Soft-Close

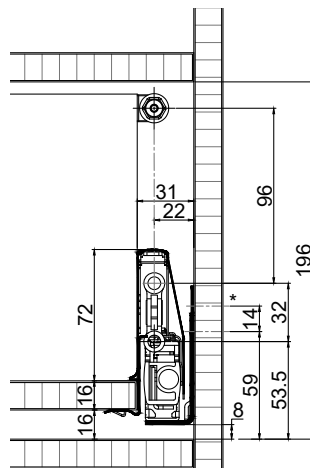
With Push-to-Open Soft-Close



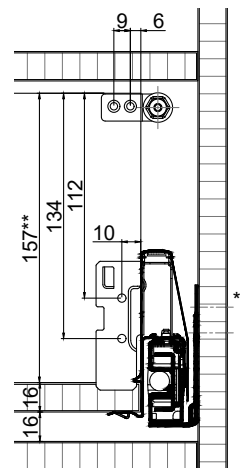
Front, screw-on



Back



Front, screw-on



Back

* Top row series drilled holes and fixing screws are not required for sets with load bearing capacity of 35 kg.

** Rear panel height

MATRIXBOX PREMIUM - STANDARD DRAWER WITH SIDE PANELS

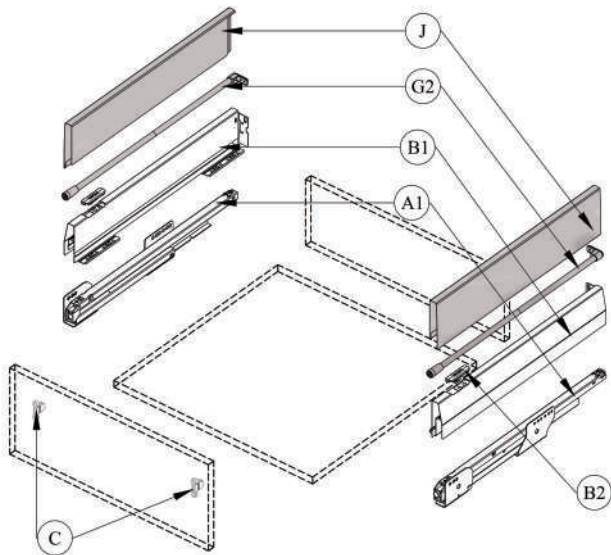
1

Standard 92 mm Drawer Set with Height Extension Side Panels



- > Runner Technology: With integrated Soft-Close or with Push-to-Open Soft-Close
- > Material: Drawer Sides and runners: Steel, Railing holder: Plastic
- > Finish: Drawer sides, railings and height extension panels: Metallic Anthracite, Metallic Silver and White

Components



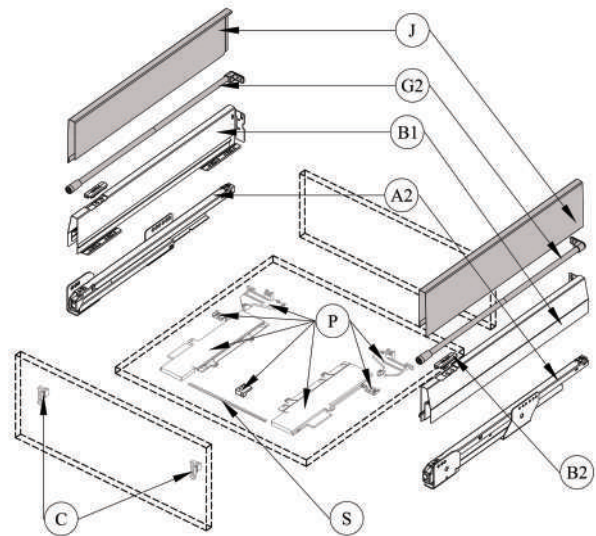
Soft-Close

A1	Cabinet Runners with Soft-Close
B1	Drawer Sides
B2	Cover Caps
C	Front Fixing Brackets
G2	Round Side Railings
J	Height Extension Side Panels

Push-to-Open Soft-Close

A2	Cabinet Runners with Push-to-Open Soft-Close
B1	Drawer Sides
B2	Cover Caps
C	Front Fixing Brackets
P	Push-to-Open Kit
S	Synchronisation Rod
G2	Round Side Railings
J	Height Extension Side Panels

P: Push-to-Open Kit Consists of: Push-to-Open Unit (Left and Right), Activator Clip (Left and Right), Push-to-Open Locking Clip (Left and Right), and Synchronisation Rod Support



MATRIXBOX PREMIUM - STANDARD DRAWER WITH SIDE PANELS

Ordering

MatrixBox Premium Sets - Pick base drawer configuration sets that best suit your requirements from page 1.09 and 1.10
+ Add-Ons

G2: Round Side Railings			
Nominal Length (mm)	Colour		
	Metallic Silver	Metallic Anthracite	White
450	553.58.994	553.58.394	553.58.794
500	553.58.995	553.58.395	553.58.795
550	553.58.996	553.58.396	553.58.796

Unit: 1 Pair

J: Height Extension Side Panels			
Nominal Length (mm)	Colour		
	Metallic Silver	Metallic Anthracite	White
450	551.60.914	551.60.314	551.60.614
500	551.60.915	551.60.315	551.60.615
550	551.60.916	551.60.316	551.60.616

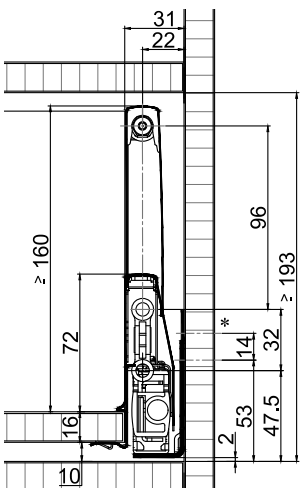
Unit: 1 Pair

- > Prerequisite : Pull out with round side railing
- > Installation: For clipping onto railing and drawer sides (when observing the given installation height)
- > Helps increasing the height of the enclosed internal space of the pull out by 88 mm to a total height of 160 mm
- > Tilting angle of front panel adjustable by ±2 mm by rotating the round railing
- > Matches the colour of the drawer sides

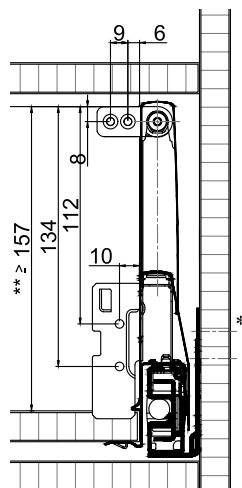


Installation Dimensions

With Integrated Soft-Close

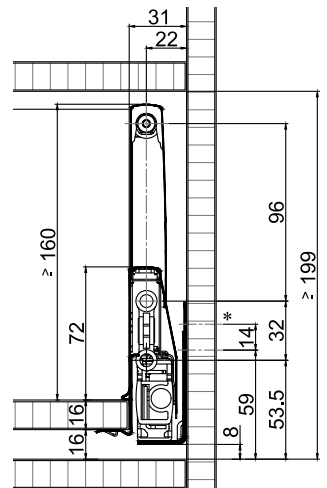


Front, screw-on

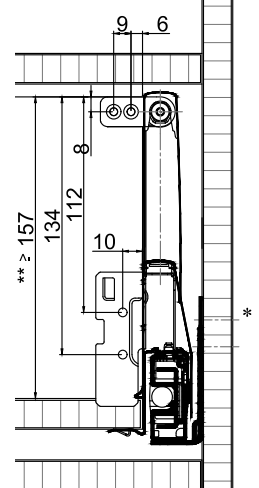


Back

With Push-to-Open Soft-Close



Front, screw-on



Back

* Top row series drilled holes and fixing screws are not required for sets with load bearing capacity of 35 kg.

** Rear panel height

MATRIXBOX PREMIUM - STANDARD DRAWER WITH LATERAL INSERTS



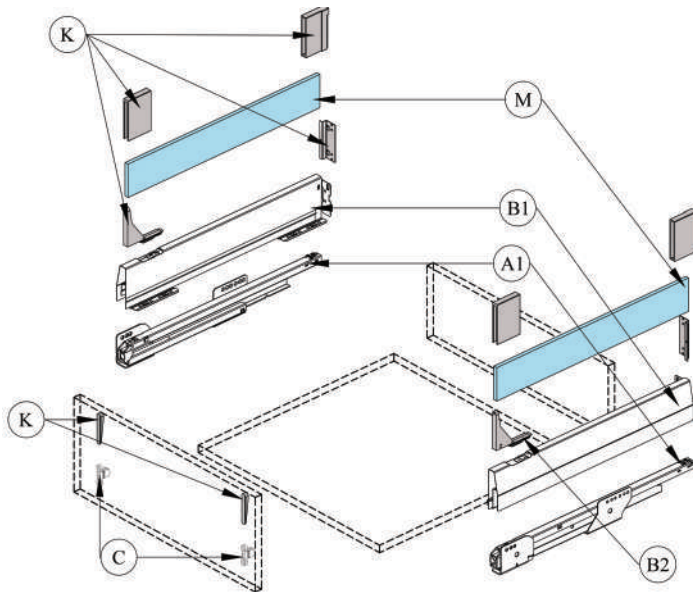
1

Standard 92 mm Drawer Set with Lateral Inserts



- > Runner Technology: With integrated Soft-Close or with Push-to-Open Soft-Close
- > Material: Drawer Sides and runners: Steel, Lateral décor insert holder: Plastic, Die-cast Steel
- > Finish: Drawer sides and lateral décor insert holder: Powder coated, Cabinet runner: Zinc plated

Components



Soft-Close

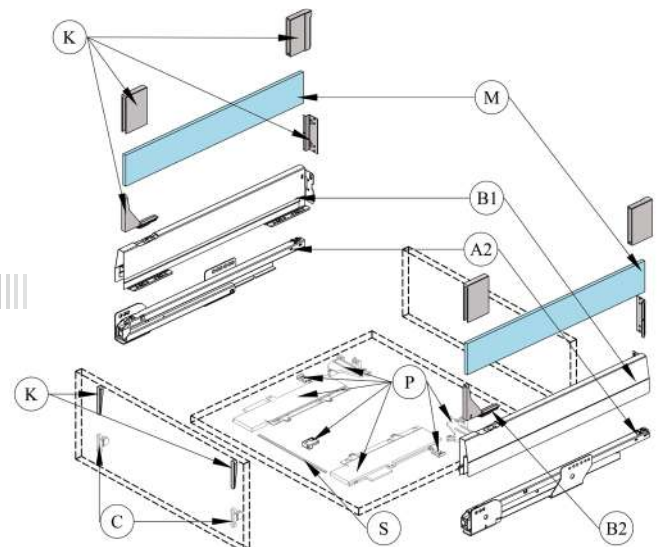
A1	Cabinet Runners with Soft-Close
B1	Drawer Sides
B2	Cover Caps
C	Front Fixing Brackets
K	Lateral Décor Insert Holder Kit
M	Lateral Décor Insert

- K: Lateral Décor Insert Holder Kit Consists of:**
- Cover Caps for Front Insert Holders, Left and Right
 - Cover Caps for Rear Insert Holders, Left and Right
 - Insert Holders with Tension Spring and Adjustable Screws for Front Brackets, Left and Right
 - Rear Fixing Brackets, Left and Right
 - Front Brackets

Push-to-Open Soft-Close

A2	Cabinet Runners with Push-to-Open Soft-Close
B1	Drawer Sides
B2	Cover Caps
C	Front Fixing Brackets
P	Push-to-Open Kit
S	Synchronisation Rod
K	Lateral Décor Insert Holder Kit
M	Lateral Décor Insert

- P: Push-to-Open Kit Consists of:**
 Push-to-Open Unit (Left and Right), Activator Clip (Left and Right), Push-to-Open Locking Clip (Left and Right), and Synchronisation Rod Support



MATRIXBOX PREMIUM - STANDARD DRAWER WITH LATERAL INSERTS

Ordering

MatrixBox Premium Sets - Pick base drawer configuration sets that best suit your requirements from page 1.09 and 1.10
+ Add-On

K: Lateral Décor Insert Holder Set		
Colour		
Metallic Silver	Metallic Anthracite	White
551.60.599	551.60.999	553.60.699

Unit: 1 Set

- > Installation: For placing onto drawer sides, for screw-fixing to drawer front panel and rear panel, cover caps for plug fitting
- > For individual Lateral Décor Insert with material thickness of 8 mm. Décor Inserts can be made from materials like glass, wood, acrylic, surfaces etc.
- > Tilting angle of the drawer front panel can be adjusted by ± 2 mm using the slotted screw at Lateral Décor Insert Holder
- > Matches the colour of the drawer sides
- > Provides additional stability for high pull-outs
- > Lateral Décor Insert Dimensions: Height: 82 mm, Length = Nominal Length of Cabinet Runner - 45 mm

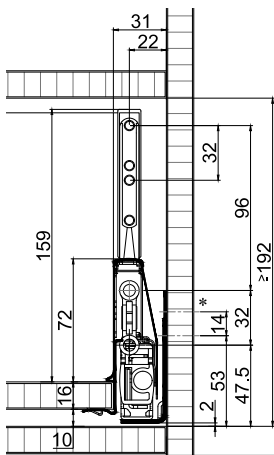


Note: Décor inserts are not provided by Häfele. They need to be sourced and prepared separately as per calculations.

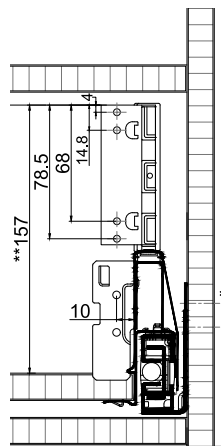
Installation Dimensions

With Integrated Soft-Close

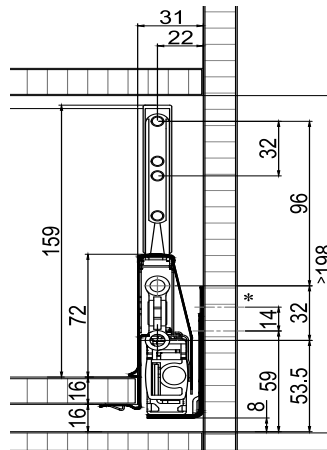
With Push-to-Open Soft-Close



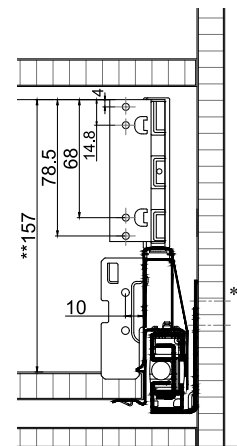
Front, screw-on



Back



Front, screw-on



Back

* Top row series drilled holes and fixing screws are not required for sets with load bearing capacity of 35 kg.

** Rear panel height

MATRIXBOX PREMIUM - INNER DRAWER WITH FRONT PANEL

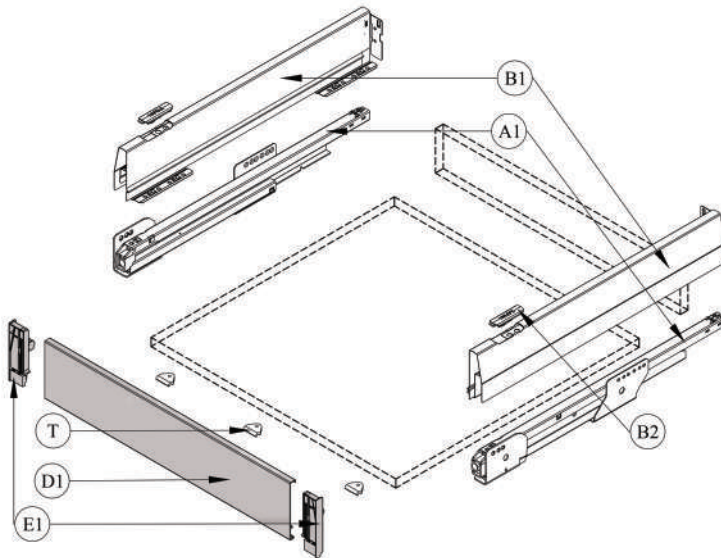
1

92 mm Inner Drawer Set with Front Panel



- > Runner Technology: With integrated Soft-Close or with Push-to-Open Soft-Close
- > Material: Drawer Sides and runners: Steel, Front panel: Aluminium, Inner drawer front fixing bracket: Plastic
- > Finish: Drawer sides and Front panel: Metallic Anthracite, Metallic Silver and White

Components



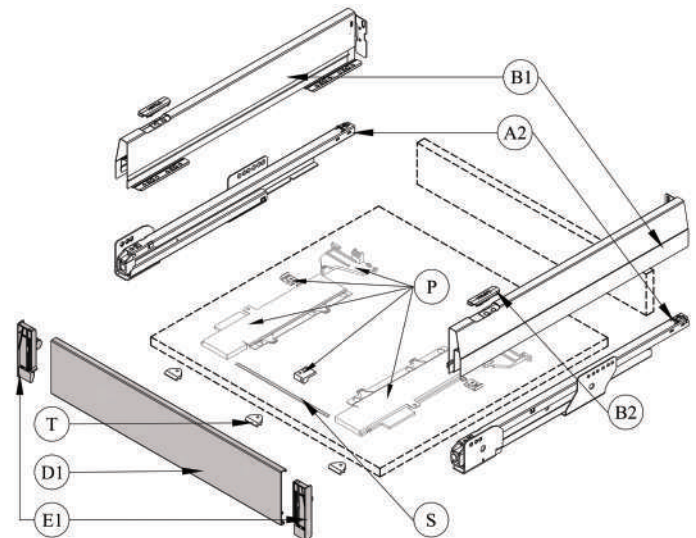
Soft-Close

A1	Cabinet Runners with Soft-Close
B1	Drawer Sides
B2	Cover Caps
D1	Inner Drawer Front Panels (102 mm)
E1	Inner Drawer Front Fixing Brackets (102 mm)
T	Front Stabilisation Clips

Push-to-Open Soft-Close

A2	Cabinet Runners with Push-to-Open Soft-Close
B1	Drawer Sides
B2	Cover Caps
P	Push-to-Open Kit
S	Synchronisation Rod
D1	Inner Drawer Front Panels (102 mm)
E1	Inner Drawer Front Fixing Brackets (102 mm)
T	Front Stabilisation Clips

P: Push-to-Open Kit Consists of: Push-to-Open Unit (Left and Right), Activator Clip (Left and Right), Push-to-Open Locking Clip (Left and Right), and Synchronisation Rod Support



MATRIXBOX PREMIUM - INNER DRAWER WITH FRONT PANEL

Ordering

MatrixBox Premium Sets - Pick base drawer configuration sets that best suit your requirements from page 1.09 and 1.10
+ Add-Ons

Inner Drawer Solid Front Kit - 102 mm (D1 + E1 + T)

Upto Cabinet Width (mm)	Colour		
	Metallic Silver	Metallic Anthracite	White
600*	513.70.912	513.70.312	513.70.712
1200**	513.70.918	513.70.318	513.70.718

*Consists of: Inner Drawer Front Panel (102 mm) x 1 Piece, Inner Drawer Front Fixing Brackets (102 mm) x 1 Pair, Front Stabilisation Clip x 1 Piece
 **Consists of: Inner Drawer Front Panel (102 mm) x 1 Piece, Inner Drawer Front Fixing Brackets (102 mm) x 1 Pair, Front Stabilisation Clip x 3 Pieces

D1: Inner Drawer Front Panel (102 mm)

Colour	Cabinet Width: 600 mm	Cabinet Width: 1200 mm
Metallic Silver	513.70.911	513.70.919
Metallic Anthracite	513.70.311	513.70.319
Solid White	513.70.711	513.70.719

Unit: 1 Piece

E1: Inner Drawer Front Fixing Brackets (102 mm)

Colour	Article No.
Metallic Silver	513.70.992
Metallic Anthracite	513.70.392
Solid White	513.70.792

Unit: 1 Pair

T: Front Stabilisation Clip

Colour	Article No.
White	553.61.780

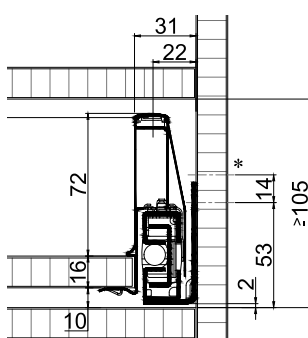
Unit: 1 Piece

- > Installation: Inner Drawer Front Fixing Bracket to be screw-fixed to the Front Panel. The Front Panel is clipped onto the Drawer Sides with help of the Front Fixing Brackets
- > Front Panel can be cut-to-size
- > Match the colour of the drawer sides
- > Front Panel dimensions: Height: 102 mm, Length = Internal cabinet width - 10 mm

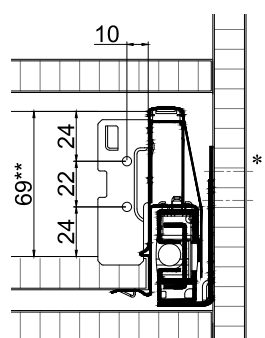


Installation Dimensions

With Integrated Soft-Close

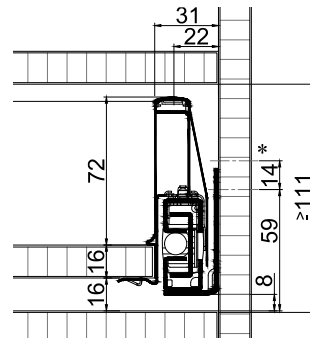


Front, screw-on

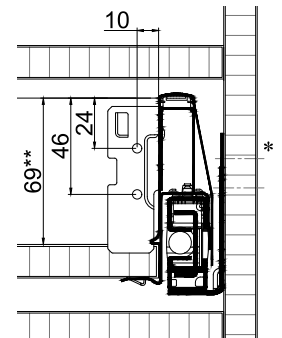


Back

With Push-to-Open Soft-Close



Front, screw-on



Back

* Top row series drilled holes and fixing screws are not required for sets with load bearing capacity of 35 kg.
 ** Rear panel height

MATRIXBOX PREMIUM - INNER DRAWER WITH FRONT PANEL + RECTANGULAR RAILINGS

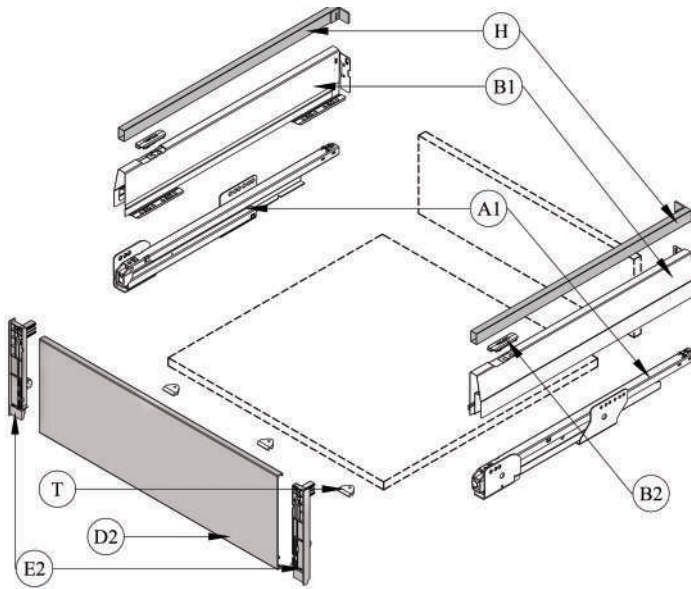
1

92 mm Inner Drawer Set with Front Panel and Rectangular Side Railings



- > Runner Technology: With integrated Soft-Close or with Push-to-Open Soft-Close
- > Material: Drawer Sides, runners and railings: Steel, Front panel: Aluminium, Inner drawer front fixing bracket: Plastic
- > Finish: Drawer sides, side railings and front panel: Metallic Anthracite, Metallic Silver and White

Components



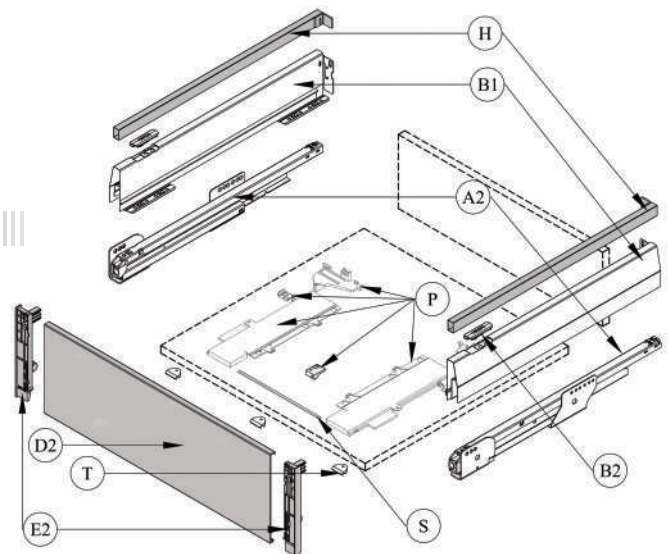
Soft-Close

A1	Cabinet Runners with Soft-Close
B1	Drawer Sides
B2	Cover Caps
D2	Inner Drawer Front Panel (189 mm)
E2	Inner Drawer Front Fixing Brackets (189 mm)
H	Rectangular Side Railings and Adapters for Inner Drawer
T	Front Stabilisation Clip

Push-to-Open Soft-Close

A2	Cabinet Runners with Push-to-Open Soft-Close
B1	Drawer Sides
B2	Cover Caps
P	Push-to-Open Kit
S	Synchronisation Rod
D2	Inner Drawer Front Panel (189 mm)
E2	Inner Drawer Front Fixing Brackets (189 mm)
H	Rectangular Side Railings and Adapters for Inner Drawer
T	Front Stabilisation Clips

P: Push-to-Open Kit Consists of:
 Push-to-Open Unit (Left and Right), Activator Clip (Left and Right), Push-to-Open Locking Clip (Left and Right), and Synchronisation Rod Support



MATRIXBOX PREMIUM - INNER DRAWER WITH FRONT PANEL + RECTANGULAR RAILINGS

Ordering

MatrixBox Premium Sets - Pick base drawer configuration sets that best suit your requirements from page 1.09 and 1.10

+ Add-Ons

Inner Drawer Solid Front Kit - 189 mm (D2 + E2 + H + T)			
Drawer Depth (mm)	Colour		
	Metallic Silver	Metallic Anthracite	White
Upto 600 mm Cabinet Width*			
450	513.42.964	513.42.364	513.42.764
500	513.42.965	513.42.365	513.42.765
550	513.42.966	513.42.366	513.42.766
Upto 1200 mm Cabinet Width*			
450	513.42.984	513.42.384	513.42.784
500	513.42.985	513.42.385	513.42.785
550	513.42.986	513.42.386	513.42.786

*Consists of: Inner Drawer Front Panel (189 mm) x 1 Piece, Inner Drawer Front Fixing Brackets (189 mm) x 1 Pair, Rectangular Side Railings x 1 Pair, Back Adapters x 1 Pair and Front Stabilisation Clip x 1 Piece

**Consists of: Inner Drawer Front Panel (189 mm) x 1 Piece, Inner Drawer Front Fixing Brackets (189 mm) x 1 Pair, Rectangular Side Railings x 1 Pair, Back Adapters x 1 Pair and Front Stabilisation Clip x 3 Pieces

D2: Inner Drawer Front Panel (189 mm)		
Colour	Width: 600 mm	Width: 1200 mm
Silver	513.70.921	513.70.929
Anthracite	513.70.321	513.70.329
White	513.70.721	513.70.729

Unit: 1 Piece

E2: Inner Drawer Front Fixing Brackets (189 mm)	
Colour	Article No.
Metallic Silver	513.70.993
Metallic Anthracite	513.70.393
Solid White	513.70.793

Unit: 1 Pair

T: Front Stabilisation Clip	
Colour	Article No.
White	553.61.780

Unit: 1 Piece

H: Rectangular Side Railings for Inner Drawer			
NL (mm)	Silver	Anthracite	White
450	513.71.914	513.71.314	513.71.714
500	513.71.915	513.71.315	513.71.715
550	513.71.916	513.71.316	513.71.716

Unit: 1 Pair

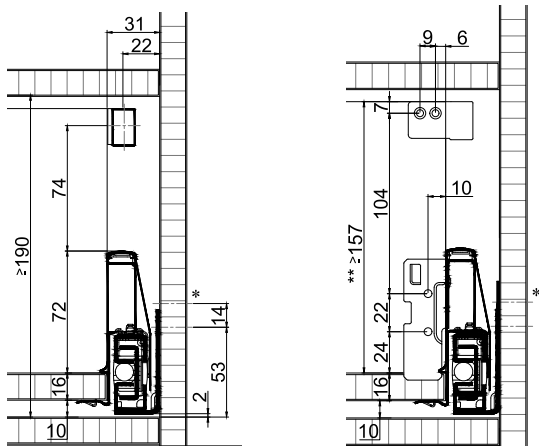
H: Back Adapters for Inner Drawer	
Colour	Article No.
Silver	513.71.990
Anthracite	513.71.390
White	513.71.790

Unit: 1 Pair

- > Installation: Front Fixing Bracket to be screw-fixed to the Front Panel. The Front Panel is clipped onto the Drawer Sides with help of the Front Fixing Bracket. Rectangular Side Railings are inserted into the Front Fixing Bracket
- > Front Panel can be cut-to-size
- > Match the colour of the drawer sides
- > Front Panel dimensions: Height: 189 mm, Length = Internal cabinet width - 10 mm

Installation Dimensions

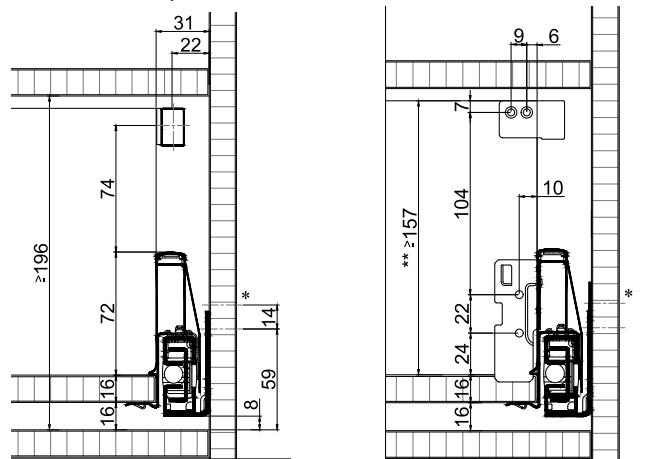
With Integrated Soft-Close



Front, screw-on

Back

With Push-to-Open Soft-Close



Front, screw-on

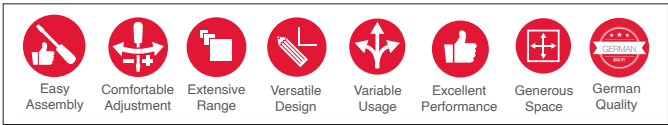
Back

* Top row series drilled holes and fixing screws are not required for sets with load bearing capacity of 35 kg.
 ** Rear panel height

MATRIXBOX PREMIUM - INNER DRAWER WITH FRONT PANEL + RECTANGULAR RAILING + LATERAL INSERTS

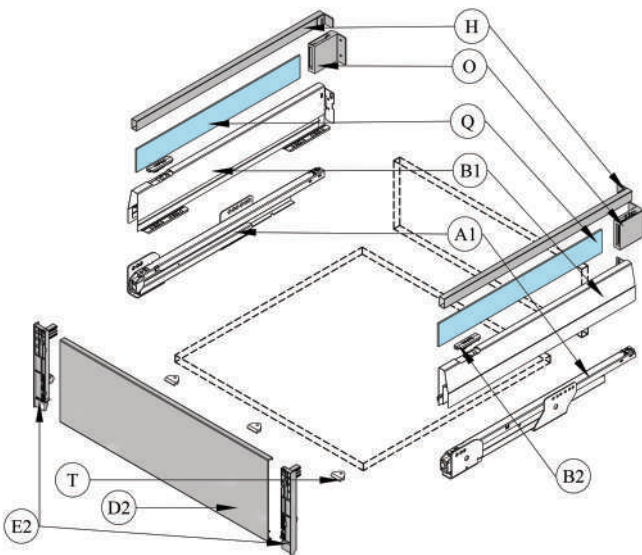
1

92 mm Inner Drawer Set with Front Panel, Rectangular Side Railings and Rear Lateral Décor Insert Holders



- > Runner Technology: With integrated Soft-Close or with Push-to-Open Soft-Close
- > Material: Drawer Sides, runners and railings: Steel, Front panel: Aluminium, Inner drawer front fixing bracket and rear lateral décor Insert holder: Plastic
- > Finish: Drawer sides, side railings, front panel and rear lateral decor insert holder: Metallic Anthracite, Metallic Silver and White

Components



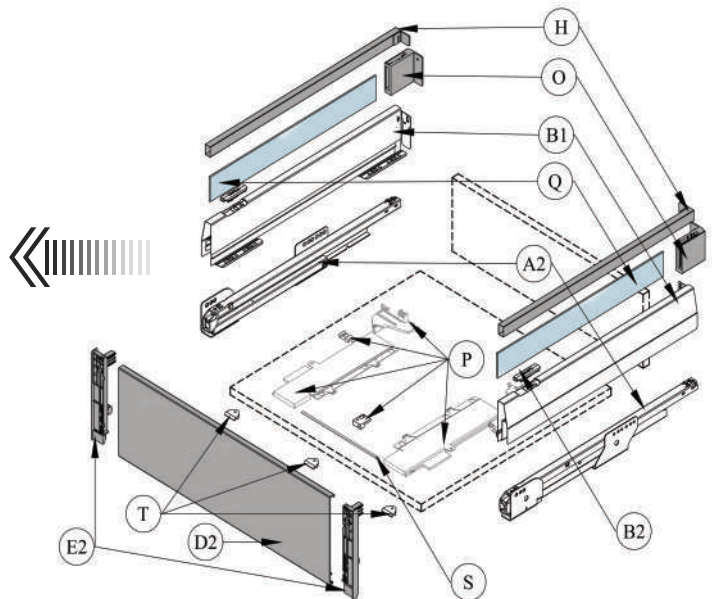
Soft-Close

A1	Cabinet Runners with Soft-Close
B1	Drawer Sides
B2	Cover Caps
D2	Inner Drawer Front Panels (189 mm)
E2	Inner Drawer Front Fixing Brackets (189 mm)
H	Rectangular Side Railings and Adapters for Inner Drawer
O	Rear Lateral Décor Insert Holder
Q	Lateral Décor Insert for Inner Drawers
T	Front Stabilisation Clips

Push-to-Open Soft-Close

A2	Cabinet Runners with Push-to-Open Soft-Close
B1	Drawer Sides
B2	Cover Caps
P	Push-to-Open Kit
S	Synchronisation Rod
D2	Inner Drawer Front Panels (189 mm)
E2	Inner Drawer Front Fixing Brackets (189 mm)
H	Rectangular Side Railings and Adapters for Inner Drawer
O	Rear Lateral Décor Insert Holder
Q	Lateral Décor Insert for Inner Drawers
T	Front Stabilisation Clips

P: Push-to-Open Kit Consists of:
 Push-to-Open Unit (Left and Right), Activator Clip (Left and Right), Push-to-Open Locking Clip (Left and Right), and Synchronisation Rod Support



MATRIXBOX PREMIUM - INNER DRAWER WITH FRONT PANEL + RECTANGULAR RAILING + LATERAL INSERTS

Ordering

MatrixBox Premium Sets - Pick base drawer configuration sets that best suit your requirements from page 1.09 and 1.10 + Add-Ons

Inner Drawer Solid Front Kit - 189 mm (D2 + E2 + H + T)			
Drawer Depth (mm)	Colour		
	Metallic Silver	Metallic Anthracite	White
Upto 600 mm Cabinet Width*			
450	513.42.964	513.42.364	513.42.764
500	513.42.965	513.42.365	513.42.765
550	513.42.966	513.42.366	513.42.766
Upto 1200 mm Cabinet Width**			
450	513.42.984	513.42.384	513.42.784
500	513.42.985	513.42.385	513.42.785
550	513.42.986	513.42.386	513.42.786

*Consists of: Inner Drawer Front Panel (189 mm) x 1 Piece, Inner Drawer Front Fixing Brackets (189 mm) x 1 Pair, Rectangular Side Railings x 1 Pair, Back Adapters x 1 Pair and Front Stabilisation Clip x 1 Piece

**Consists of: Inner Drawer Front Panel (189 mm) x 1 Piece, Inner Drawer Front Fixing Brackets (189 mm) x 1 Pair, Rectangular Side Railings x 1 Pair, Back Adapters x 1 Pair and Front Stabilisation Clips x 3 Pieces

O: Rear Lateral Décor Insert Holder	
Colour	Article No.
Metallic Silver	513.72.999
Metallic Anthracite	513.72.399
Solid White	513.72.799

Unit: 1 Pair

> Installation: The Rear Lateral Décor Insert Holder is screw-fixed to the rear panel
 > Matches the colour of the drawer sides

D2: Inner Drawer Front Panel (189 mm)		
Colour	Width: 600 mm	Width: 1200 mm
Silver	513.70.921	513.70.929
Anthracite	513.70.321	513.70.329
White	513.70.721	513.70.729

Unit: 1 Piece

E2: Inner Drawer Front Fixing Brackets (189 mm)	
Colour	Article No.
Metallic Silver	513.70.993
Metallic Anthracite	513.70.393
Solid White	513.70.793

Unit: 1 Pair

T: Front Stabilisation Clip	
Colour	Article No.
White	553.61.780

Unit: 1 Piece

H: Back Adapters for Inner Drawer	
Colour	Article No.
Silver	513.71.990
Anthracite	513.71.390
White	513.71.790

Unit: 1 Pair

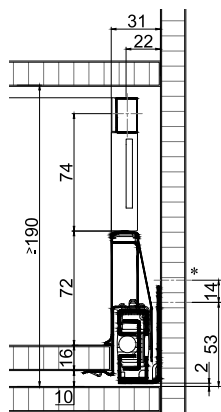
H: Rectangular Side Railings for Inner Drawer			
NL (mm)	Silver	Anthracite	White
450	513.71.914	513.71.314	513.71.714
500	513.71.915	513.71.315	513.71.715
550	513.71.916	513.71.316	513.71.716

Unit: 1 Pair

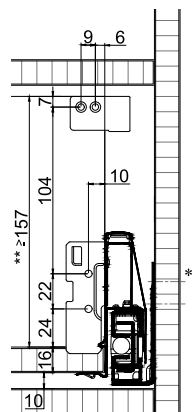
Note: Décor inserts are not provided by Häfele. They need to be sourced and prepared separately as per calculations.

Installation Dimensions

With Integrated Soft-Close

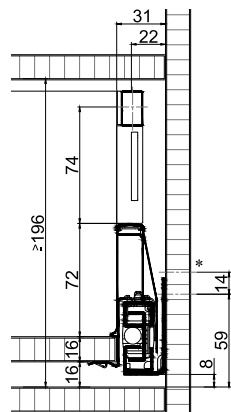


Front, screw-on

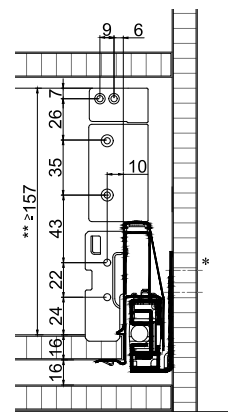


Back

With Push-to-Open Soft-Close



Front, screw-on



Back

* Top row series drilled holes and fixing screws are not required for sets with load bearing capacity of 35 kg.

** Rear panel height

MATRIXBOX PREMIUM - INNER DRAWER WITH FRONT INSERT + RECTANGULAR RAILINGS

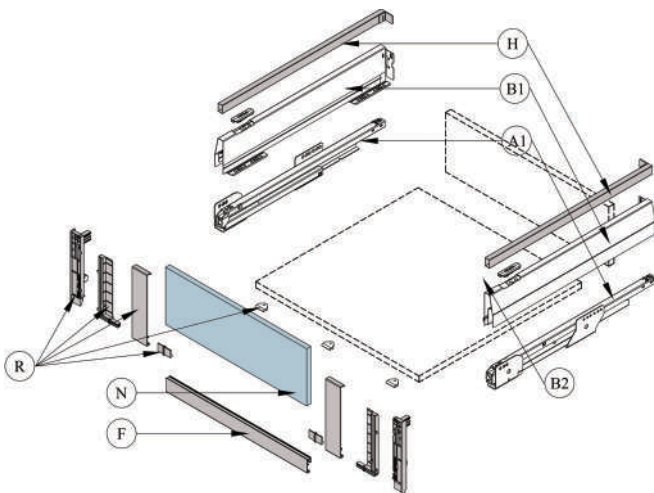
1

92 mm Inner Drawer Set for Front Décor Insert Holder Kit and Rectangular Side Railings



- > Runner Technology: With integrated Soft-Close or with Push-to-Open Soft-Close
- > Material: Drawer Sides, runners and railings: Steel, Front panel Profile: Aluminium, Front décor Insert holder kit: Plastic
- > Finish: Drawer sides, side railings and front panel profile: Metallic Anthracite, Metallic Silver and White

Components



Soft-Close

A1	Cabinet Runners with Soft-Close
B1	Drawer Sides
B2	Cover Caps
F	Front Panel Profile
R	Front Décor Insert Holder Kit
N	Front Décor Insert
H	Rectangular Side Railings and Adapters for Inner Drawer

R: Front Décor Insert Holder Kit Consists of:

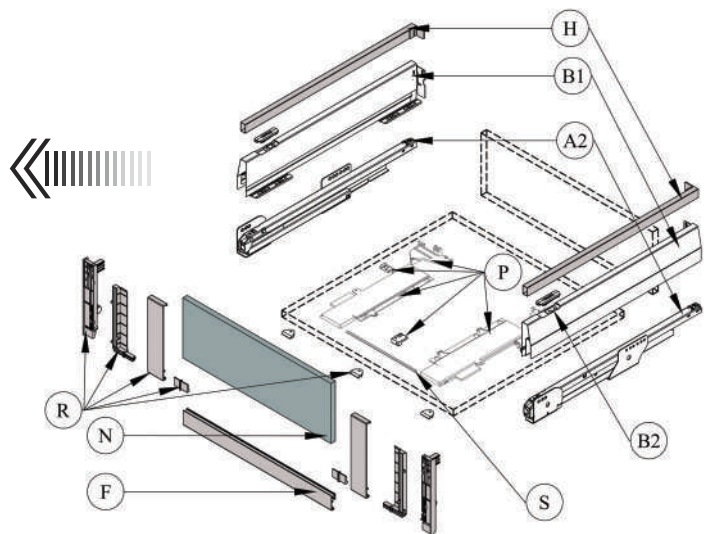
- Cover Caps, Left and Right
- Insert Holders, Left and Right
- Inner Drawer Front Fixing Brackets (189 mm), Left and Right
- Front Panel Stabilisation Clips, 3 Pieces
- Décor Insert Connecting Brackets

Push-to-Open Soft-Close

A2	Cabinet Runners with Push-to-Open Soft-Close
B1	Drawer Sides
B2	Cover Caps
P	Push-to-Open Kit
S	Synchronisation Rod
F	Front Panel Profile
R	Front Décor Insert Holder Kit
N	Front Décor Insert
H	Rectangular Side Railings and Adapters for Inner Drawer

P: Push-to-Open Kit Consists of:

Push-to-Open Unit (Left and Right), Activator Clip (Left and Right), Push-to-Open Locking Clip (Left and Right), and Synchronisation Rod Support



MATRIXBOX PREMIUM - INNER DRAWER WITH FRONT INSERT + RECTANGULAR RAILINGS

Ordering

MatrixBox Premium Sets - Pick base drawer configuration sets that best suit your requirements from page 1.09 and 1.10 + Add-Ons

Inner Drawer Décor Front Kit (189 mm)*			
Drawer Depth (mm)	Colour		
	Metallic Silver	Metallic Anthracite	White
Upto 600 mm Cabinet Width			
450	513.52.365	513.52.366	513.52.364
500	513.52.765	513.52.766	513.52.764
550	513.52.965	513.52.966	513.52.964
Upto 1200 mm Cabinet Width			
450	513.52.385	513.52.386	513.52.384
500	513.52.785	513.52.786	513.52.784
550	513.52.985	513.52.986	513.52.984

*Consists of: Front Panel Profile x 1 Piece, Front Décor Insert Holder Set x 1, Rectangular Side Railings x 1 Pair and Back Adapters x 1 Pair

H: Rectangular Side Railings for Inner Drawer			
Nominal Length (mm)	Colour		
	Metallic Silver	Metallic Anthracite	White
450	513.71.914	513.71.314	513.71.714
500	513.71.915	513.71.315	513.71.715
550	513.71.916	513.71.316	513.71.716

Unit: 1 Pair

H: Back Adapters for Inner Drawer	
Colour	Article No.
Silver	513.71.990
Anthracite	513.71.390
White	513.71.790

Unit: 1 Pair

F: Front Panel Profile (37 mm)		
Colour	Width: 600 mm	Width: 1200 mm
Silver	513.70.931	513.70.939
Anthracite	513.70.331	513.70.339
White	513.70.731	513.70.739

Unit: 1 Pair

R: Front Décor Insert Holder Set	
Colour	Article No.
White	513.70.790
Metallic silver	513.70.990
Metallic anthracite	513.70.390

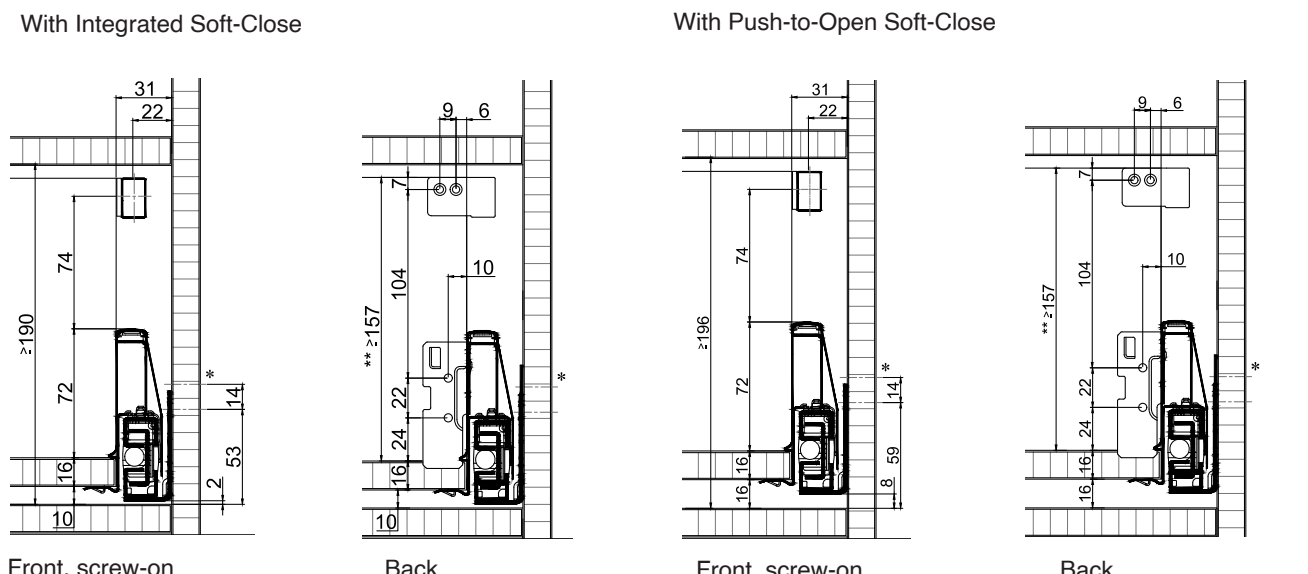
Unit: 1 Set

- > Installation: Front Décor Insert Holder Kit to be screw-fixed to the Front Panel Profile. Together the entire Front Panel is clipped onto the Drawer Sides.
- > Match the colour of the drawer sides
- > Front panel profile dimensions: Height: 37 mm, Length = Internal cabinet width - 133 mm
- > Front décor insert dimensions: Height: 151 mm, Length = Internal cabinet width - 94 mm



Note: Décor inserts are not provided by Häfele. They need to be sourced and prepared separately as per calculations.

Installation Dimensions



* Top row series drilled holes and fixing screws are not required for sets with load bearing capacity of 35 kg.
 ** Rear panel height

MATRIXBOX PREMIUM - INNER DRAWER WITH FRONT INSERT + RECTANGULAR RAILINGS + LATERAL INSERTS

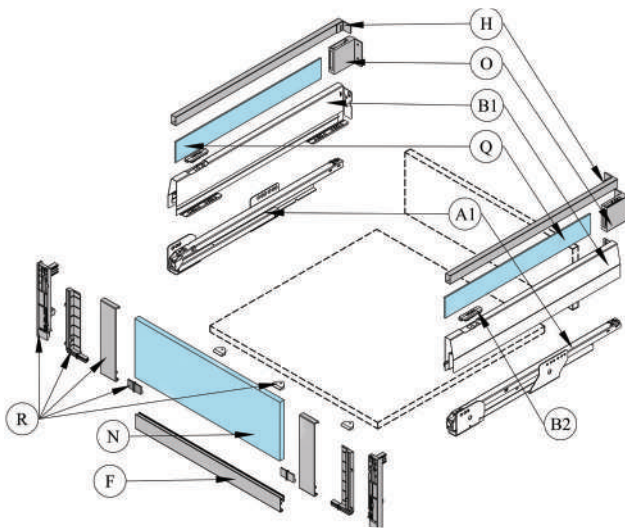
1

92 mm Inner Drawer Set with Front Décor Insert Holder Kit, Rectangular Side Railings and Rear Lateral Décor Insert Holders



- > Runner Technology: With integrated Soft-Close or with Push-to-Open Soft-Close
- > Material: Drawer Sides, runners and railings: Steel, Front panel profile: Aluminium, Front décor insert holder kit and rear lateral décor insert holder : Plastic
- > Finish: Drawer sides, side railings, front panel profile and rear lateral decor insert holder: Metallic Anthracite, Metallic Silver and White

Components



Soft-Close

A1	Cabinet Runners with Soft-Close
B1	Drawer Sides
B2	Cover Caps
F	Front Panel Profile
R	Front Décor Insert Holder Kit
N	Front Décor Insert
H	Rectangular Side Railings and Adapters for Inner Drawer
O	Rear Lateral Décor Insert Holder
Q	Lateral Décor Insert for Inner Drawers

R: Front Décor Insert Holder Kit Consists of:

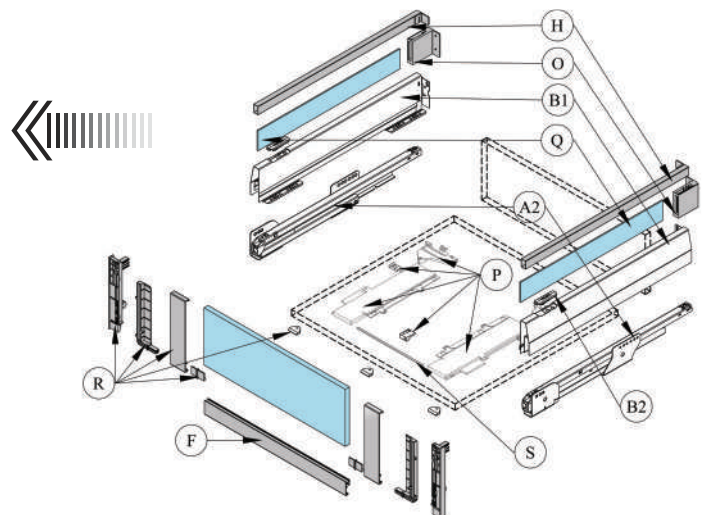
- Cover Caps , Left and Right
- Insert Holders, Left and Right
- Inner Drawer Front Fixing Brackets (189 mm), Left and Right
- Front Panel Stabilisation Clips, 3 Pieces
- Décor Insert Connecting Brackets

Push-to-Open Soft-Close

A2	Cabinet Runners with Push-to-Open Soft-Close
B1	Drawer Sides
B2	Cover Caps
P	Push-to-Open Kit
S	Synchronisation Rod
F	Front Panel Profile
R	Front Décor Insert Holder Kit
N	Front Décor Insert
H	Rectangular Side Railings and Adapters for Inner Drawer
O	Rear Lateral Décor Insert Holder
Q	Lateral Décor Insert for Inner Drawers

P: Push-to-Open Kit Consists of:

Push-to-Open Unit (Left and Right), Activator Clip (Left and Right), Push-to-Open Locking Clip (Left and Right), and Synchronisation Rod Support



MATRIXBOX PREMIUM - INNER DRAWER WITH FRONT INSERT + RECTANGULAR RAILINGS + LATERAL INSERTS

Ordering

MatrixBox Premium Sets - Pick base drawer configuration sets that best suit your requirements from page 1.09 and 1.10 + Add-Ons

Inner Drawer Décor Front Kit (189 mm)*			
Drawer Depth (mm)	Colour		
	Metallic Silver	Metallic Anthracite	White
Upto 600 mm Cabinet Width			
450	513.52.365	513.52.366	513.52.364
500	513.52.765	513.52.766	513.52.764
550	513.52.965	513.52.966	513.52.964
Upto 1200 mm Cabinet Width			
450	513.52.385	513.52.386	513.52.384
500	513.52.785	513.52.786	513.52.784
550	513.52.985	513.52.986	513.52.984
*Consists of: Front Panel Profile x 1 Piece, Front Décor Insert Holder Set x 1, Rectangular Side Railings x 1 Pair and Back Adapters x 1 Pair			
O: Rear Lateral Décor Insert Holder			
Colour	Article No.		
Metallic Silver	513.72.999		
Metallic Anthracite	513.72.399		
Solid White	513.72.799		
Unit: 1 Pair			

H: Rectangular Side Railings for Inner Drawer			
Nominal Length (mm)	Colour		
	Metallic Silver	Metallic Anthracite	White
450	513.71.914	513.71.314	513.71.714
500	513.71.915	513.71.315	513.71.715
550	513.71.916	513.71.316	513.71.716
Unit: 1 Pair			
H: Back Adapters for Inner Drawer		Article No.	
Silver		513.71.990	
Anthracite		513.71.390	
White		513.71.790	
Unit: 1 Pair			
R: Front Décor Insert Holder Set		Article No.	
White		513.70.790	
Metallic silver		513.70.990	
Metallic anthracite		513.70.390	
Unit: 1 Set			

F: Front Panel Profile (37 mm)		
Colour	Cabinet Width: 600 mm	Cabinet Width: 1200 mm
Silver	513.70.931	513.70.939
Anthracite	513.70.331	513.70.339
White	513.70.731	513.70.739
Unit: 1 Piece		

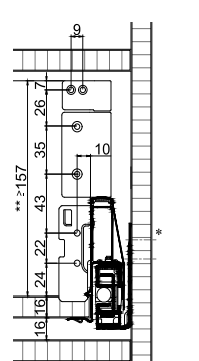
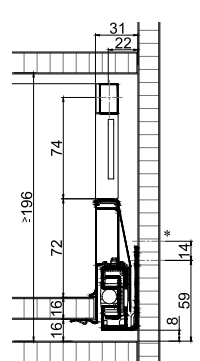
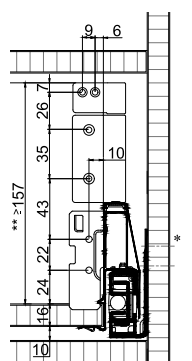
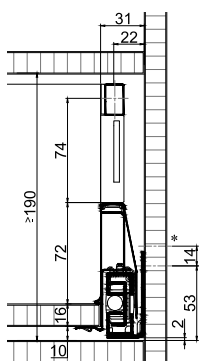
- > Installation: Front Décor Insert Holder Kit to be screw-fixed to the Front Panel Profile. Together the Front Panel is clipped onto the Drawer Sides. Rear Lateral Décor Insert Holder to be screw fixed to the rear panel
- > Match the colour of the drawer sides
- > Front panel profile dimensions: Height: 37 mm, Length = Internal cabinet width - 133 mm
- > Front décor insert dimensions: Height: 151 mm, Length = Internal cabinet width - 94 mm
- > Lateral décor insert dimensions: Height: 48 mm, Length = Nominal Length of Cabinet Runner - 25 mm

Note: Décor inserts are not provided by Häfele. They need to be sourced and prepared separately as per calculations.

Installation Dimensions

With Integrated Soft-Close

With Push-to-Open Soft-Close



Front, screw-on

Back

Front, screw-on

Back

* Top row series drilled holes and fixing screws are not required for sets with load bearing capacity of 35 kg.
 ** Rear panel height

MATRIXBOX PREMIUM - STANDARD DRAWER FOR UNDER-SINK UNIT

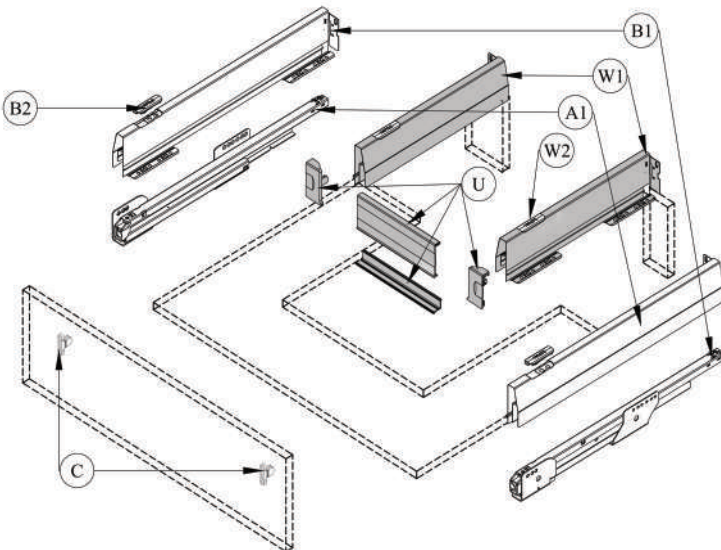
1

92 mm Standard Drawer Under Sink Pull-out, Runner Nominal Length = 500 mm



- > Runner Technology: With integrated Soft-Close or with Push-to-Open Soft-Close
- > Material: Drawer Sides and runners: Steel
- > Finish: Drawer sides, sink cut-out set and railings: Metallic Anthracite, Metallic Silver and White

Components



Soft-Close

A1	Cabinet Runners with Soft-Close, NL = 500 mm
B1	Drawer Sides, NL = 500 mm
B2	Cover Caps for B1
C	Front Fixing Brackets
W1	Drawer Sides, NL = 350 mm
W2	Cover Caps for W1
U	Sink Cut-out Set

U: Sink Cut-out Set Includes

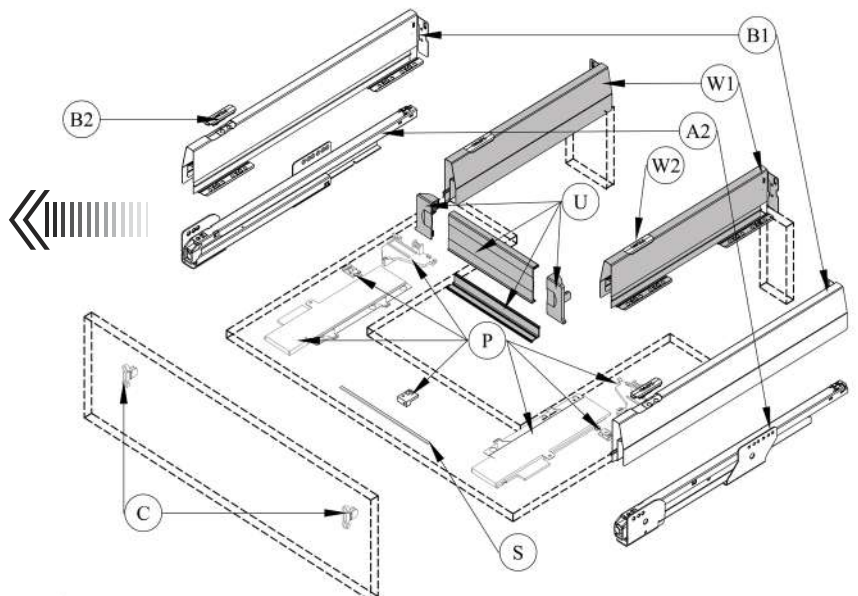
- Undersink Aluminium Panel, Length = 1197 mm
- Undersink Panel Holder
- Undersink Cover Profile

Push-to-Open Soft-Close

A2	Cabinet Runners with Push-to-Open Soft-Close
B1	Drawer Sides
B2	Cover Caps
C	Front Fixing Brackets
P	Push-to-Open Kit
S	Synchronisation Rod
W1	Drawer Sides, NL = 350 mm
W2	Cover Caps for W1
U	Sink Cut-out Set

P: Push-to-Open Kit Consists of:

Push-to-Open Unit (Left and Right), Activator Clip (Left and Right), Push-to-Open Locking Clip (Left and Right), and Synchronisation Rod Support



MATRIXBOX PREMIUM - STANDARD DRAWER FOR UNDER-SINK UNIT

Ordering

MatrixBox Premium Sets - Pick base drawer configuration sets that best suit your requirements from page 1.09 and 1.10
+ Add-Ons

Under Sink Pull-out Set*	
Colour	Article No.
Metallic Silver	513.65.905
Metallic Anthracite	513.65.305
White	513.65.705
*Consists of: Sink Cut-out Set x 1, Drawer Sides (NL = 350 mm) x 1 Pair and Cover Caps x 1 Pair	

U: Sink Cut-out Set	
Colour	Article No.
White	551.61.728
Silver	551.61.928
Anthracite	551.61.328

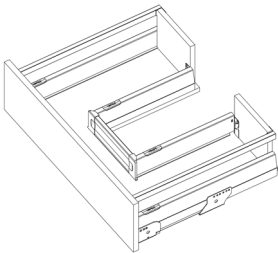
Unit: 1 Set

W1: Drawer Sides, NL = 350 mm	
Colour	Article No.
White	513.02.702
Metallic Silver	513.02.902
Metallic Anthracite	513.02.302

Unit: 1 Pair

W2: Cover Caps for W1	
Colour	Article No.
Metallic Silver	551.61.980
Metallic Anthracite	551.61.380
White	551.61.780

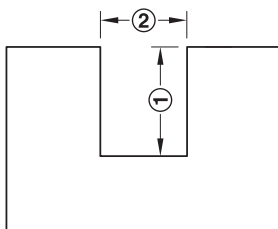
Unit: 1 Pair



Add accessories to achieve a high-fronted configuration

You can create a High-fronted Under Sink Unit by simply adding railings, height extension side panels or lateral décor holder set

Installation Dimensions



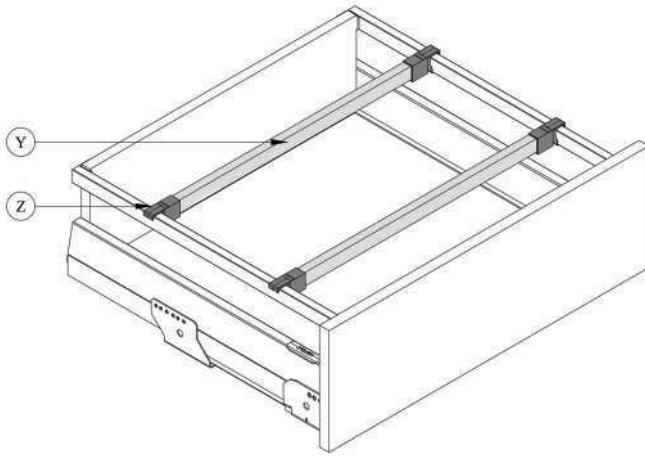
1. Nominal length of drawer sides for sink cut-out – 2 mm
2. Required internal dimension between the drawer sides for sink cut-out + 53 mm

Note: In case you wish to install a high-fronted under sink unit with the help of additional accessories, please refer to their specific standard drawer configuration pages for detailed installation instructions.

MATRIXBOX PREMIUM - INTERNAL DIVIDER SYSTEM

1

Rectangular Cross Rail and Connectors



Y	Rectangular Cross Rail
Z	Rectangular Cross Rail Connector

Rectangular Cross Rail and Connector Kit			
Cabinet Width (mm)	Colour		
	Metallic Silver	Metallic Anthracite	White
Upto 600 mm*	513.70.967	513.70.367	513.70.767
Upto 1200 mm**	513.70.968	513.70.368	513.70.768

*Consists of: Rectangular Cross Rail x 1 and Rectangular Cross Rail Connector x 4
 **Consists of: Rectangular Cross Rail x 2 and Rectangular Cross Rail Connector x 4

Note: This set helps provide internal division within the drawer and enhances organised storage. Once the drawer unit is constructed using the base drawer configuration Sets and add-ons, this set can be easily added wherever required.



Y: Rectangular Cross Rail	
Colour	Article No.
White	513.70.769
Metallic Silver	513.70.969
Metallic Anthracite	513.70.369

Unit: 1 Piece

- > Material: Steel
- > Version: Can be shortened
- > Length: 1,090.5 mm
- > Cutting Dimension: = internal cabinet width – 77.5 mm
Note: For Drawer Widths of up to 600 mm, the cross rail can be cut into two or more parts using this formula.



Z: Rectangular Cross Rail Connector	
Colour	Article No.
White	513.70.789
Metallic Silver	513.70.989
Metallic Anthracite	513.70.389

Unit: 1 Piece

- > Material: Plastic
- > Installation: Inserted into the Rectangular Cross Rail from both sides. Helps clip the cross rail onto the Rectangular Side Railings

