

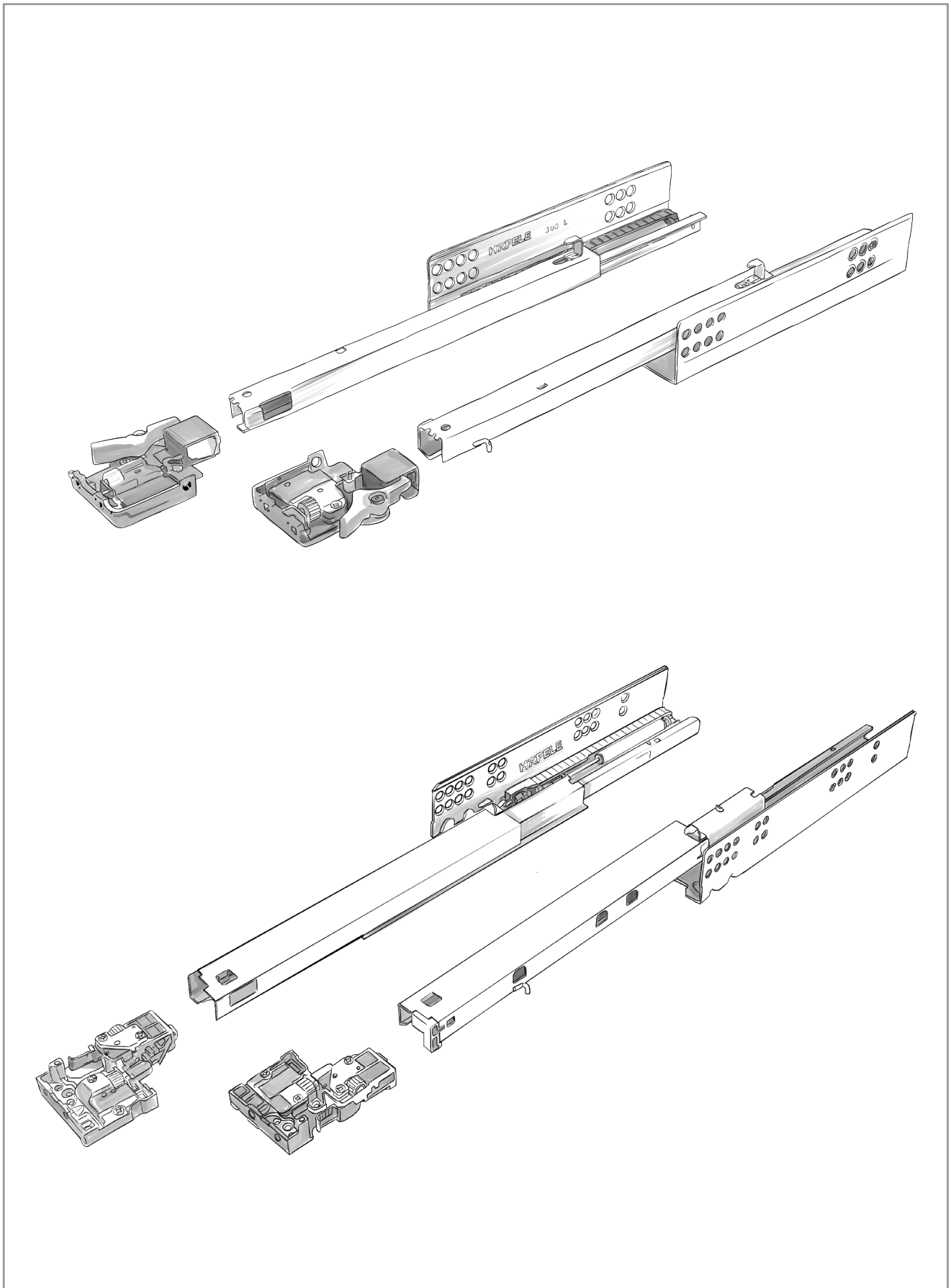
## MATRIX UM



## MATRIX UM

Undermount Runners

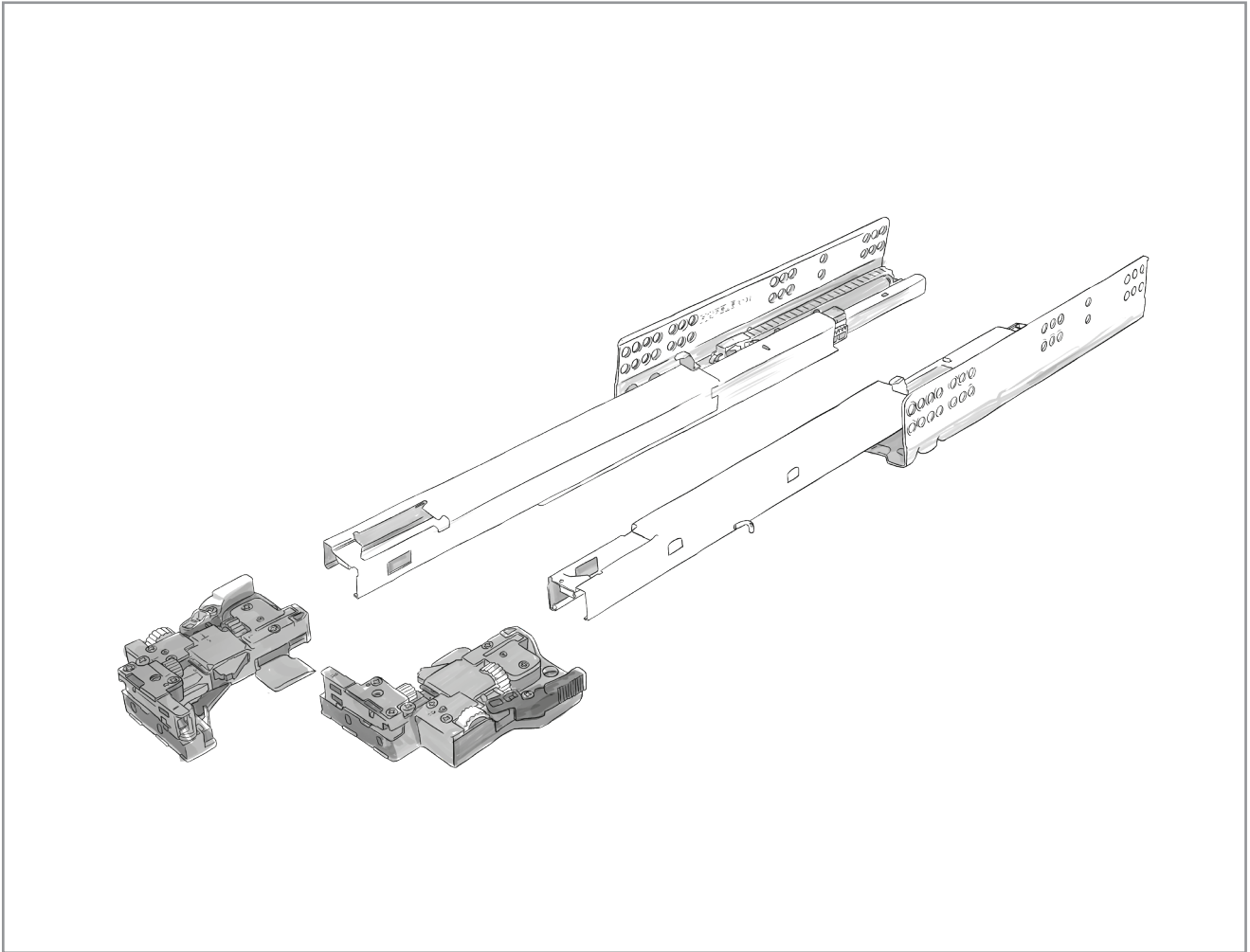
1



## MATRIX UM

1

Undermount Runners

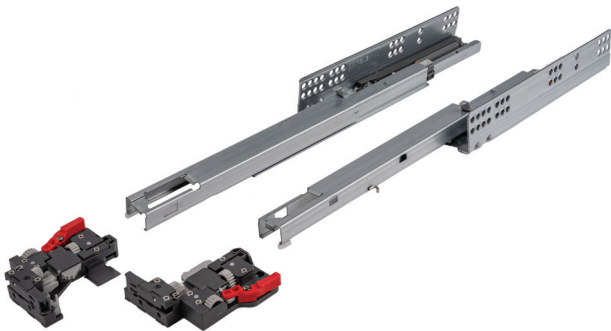


Hafele's in-house range of Matrix Undermount runners comes with an elegant motion technology that can suit a host of applications within kitchens, living room furniture, bed storage units, wardrobes and bathroom units.

Available in 4 weight-carrying capacities and a large range of nominal lengths, the Matrix Undermount runners can execute any required drawer design. The 40 and 60 kg runners come with a synchronized technology providing excellent motion and stability to the drawers. All runners come with an integrated soft-close mechanism that offers smooth and noiseless closing of the drawer units.

## MATRIX UM

Matrix UM 40 & Matrix UM 60



- > Material: Steel
- > Finish: Zinc Plated
- > Type: Full-extension with integrated Soft-close
- > Weight Carrying Capacities: 40 & 60 kg

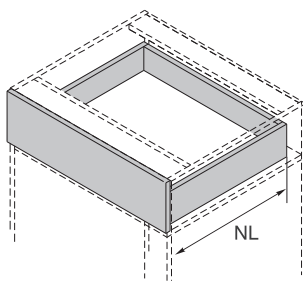
Optimised running and closing characteristics due to synchronized runners

3D adjustment locking bracket.

### Ordering

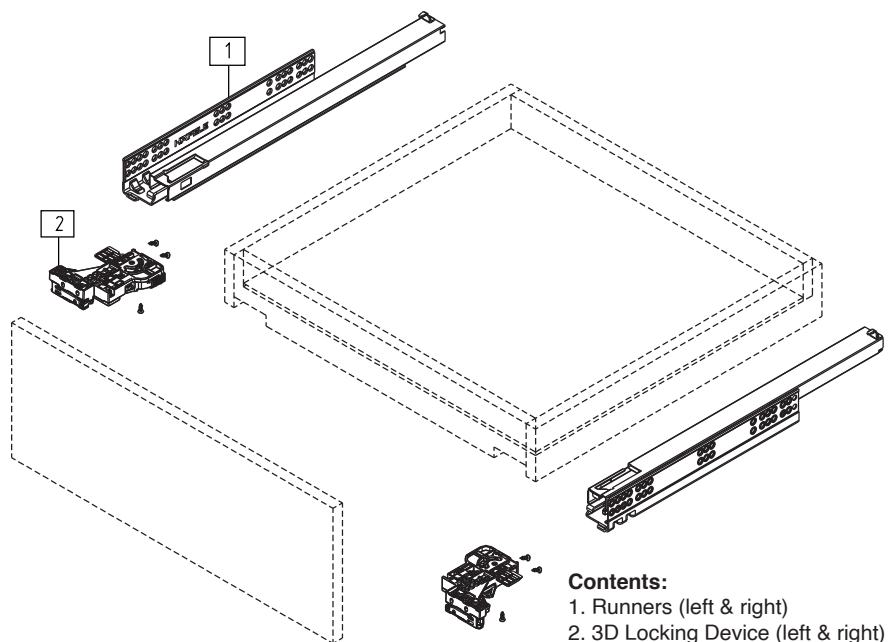
Matrix Undermount Runners	40 kg	60 kg
<b>Nominal Length</b>	<b>Article Number</b>	
300 mm	433.09.501	-
350 mm	433.09.502	-
400 mm	433.09.503	-
450 mm	433.09.504	-
500 mm	433.09.505	433.09.515
550 mm	433.09.506	433.09.516
600 mm	433.09.507	433.09.517

### Space Requirement



NL:Nominal length

### Soft Close Drawer



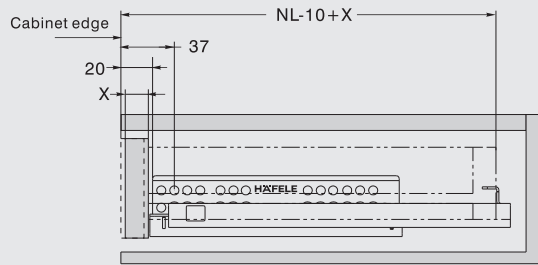
**Contents:**

- 1. Runners (left & right)
- 2. 3D Locking Device (left & right)

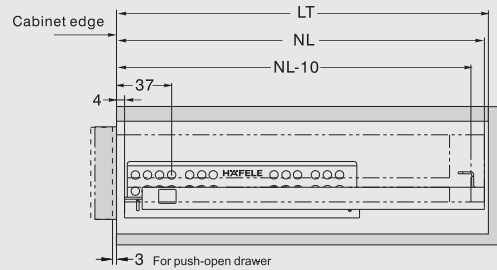
# MATRIX UM

## Drawer Installation Dimensions

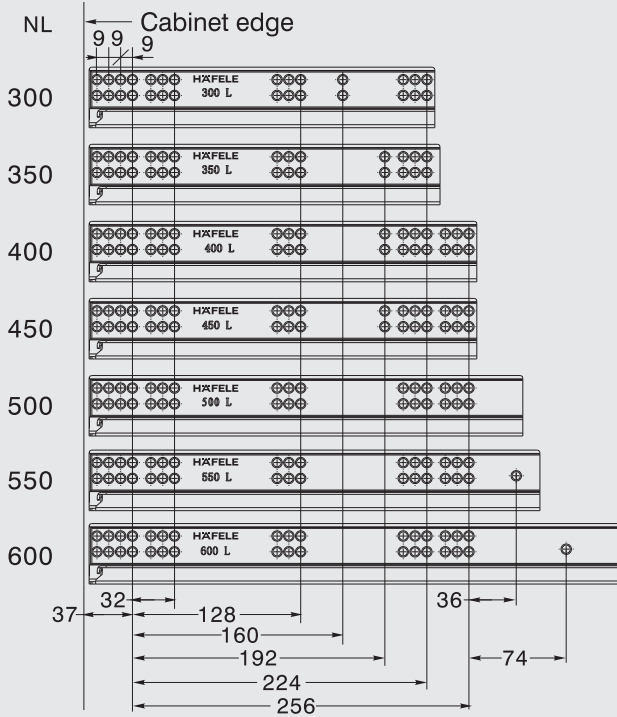
NL=Nominal Runner Length  
 LT=Internal Cabinet Depth  
 LTmin=NL+21



NL=Nominal Runner Length  
 LT=Internal Cabinet Depth  
 LTmin=NL+3

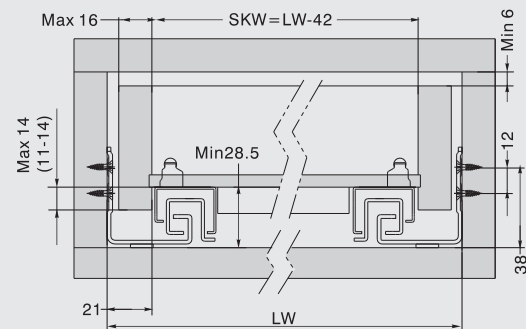


## Screw Positions of the Runner

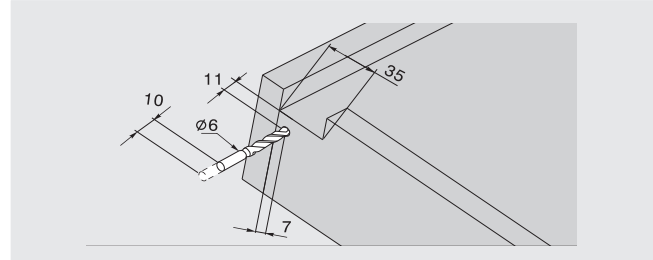


## Installation Dimensions

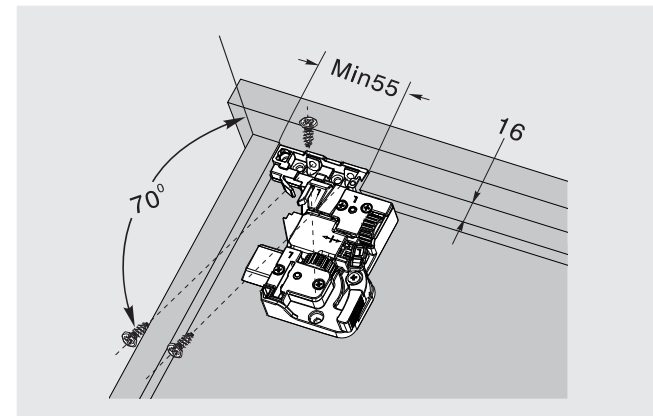
SKW = Internal Drawer Width      LW = Internal Cabinet Width



## Soft-closing Drawer Back Preparation



## 3D Locking Bracket Installation



## MATRIX UM

### Matrix UM 35



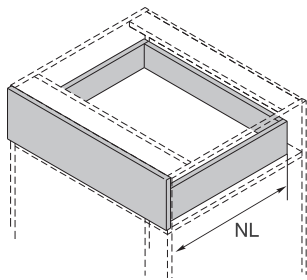
- > Material: Steel
  - > Finish: Zinc Plated
  - > Type: Full-extension with integrated Soft-close
  - > Weight Carrying Capacities: 35 kg
- 2D Adjustment Locking Bracket

### Ordering

#### 35 kg Matrix Undermount Runners

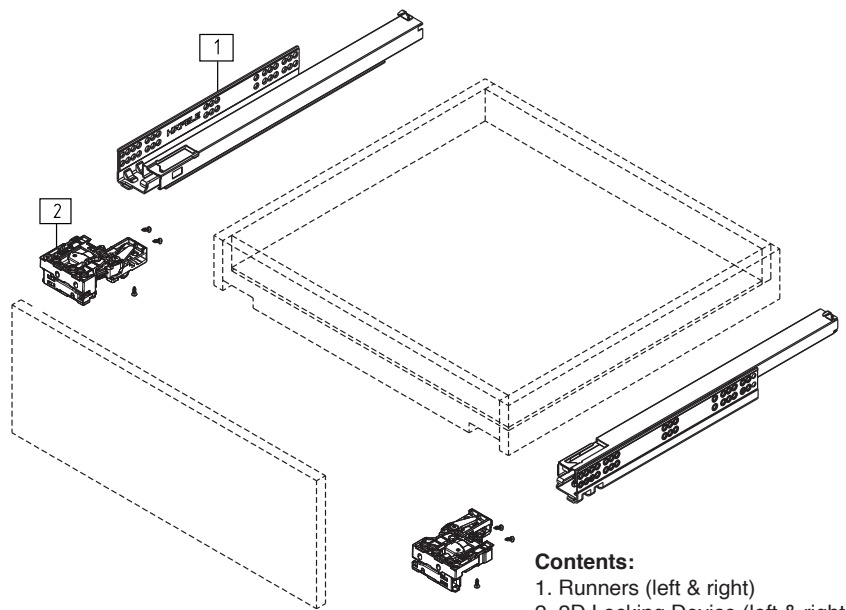
Nominal Length	Article Number
300 mm	433.09.531
350 mm	433.09.532
400 mm	433.09.533
450 mm	433.09.534
500 mm	433.09.535
550 mm	433.09.536
600 mm	433.09.537

### Space Requirement



NL: Nominal length

### Soft Close Drawer



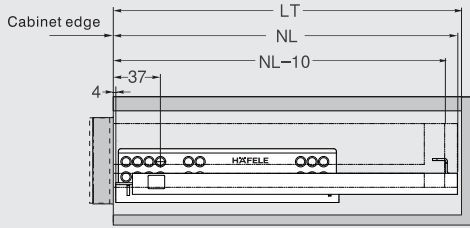
#### Contents:

1. Runners (left & right)
2. 2D Locking Device (left & right)

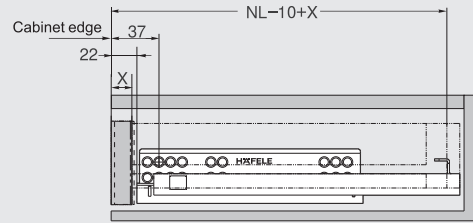
## MATRIX UM

### Drawer Installation Dimensions

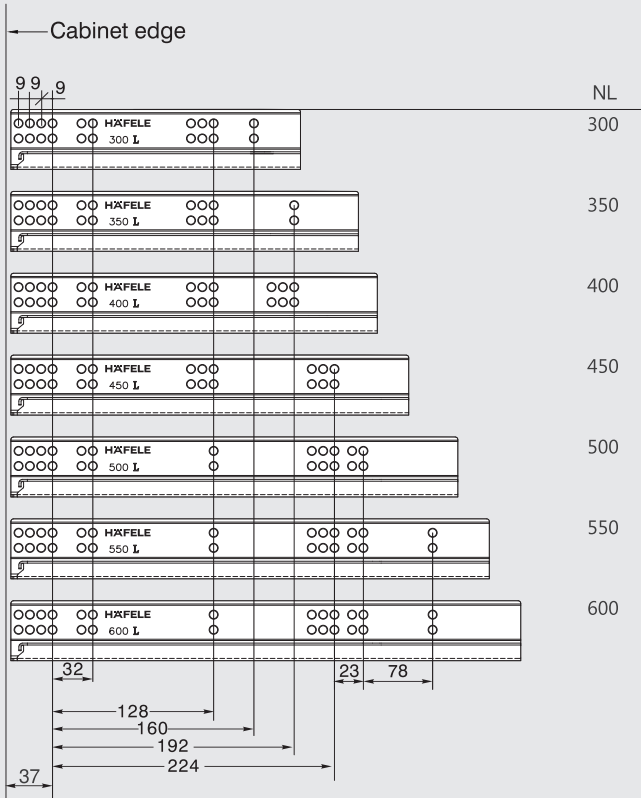
NL=Nominal Runner Length  
 LT=Internal Cabinet Depth  
 LTmin=NL+3



NL=Nominal Runner Length  
 LT=Internal Cabinet Depth  
 LTmin=NL+21

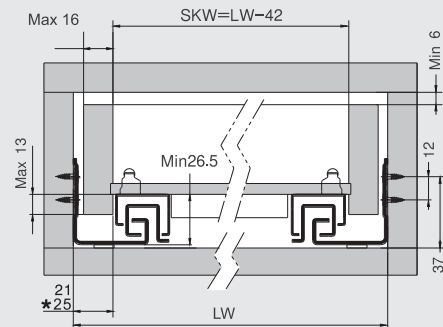


### Screw Positions of the Runner

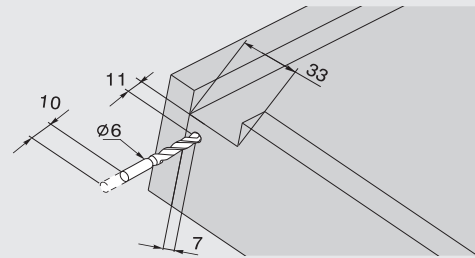


### Installation Dimensions

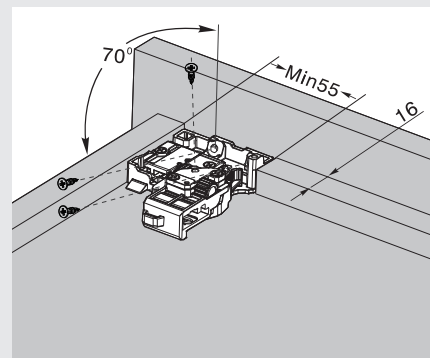
SKW = Internal Drawer Width      LW = Internal Cabinet Width



### Soft-closing Drawer Back Preparation



### 2D Locking Bracket Installation



## MATRIX UM

### Matrix UM 25



- > Material: Steel
  - > Finish: Zinc Plated
  - > Type: Partial-extension with integrated Soft-close
  - > Weight Carrying Capacities: 25 kg
- Height Adjustments Locking Bracket

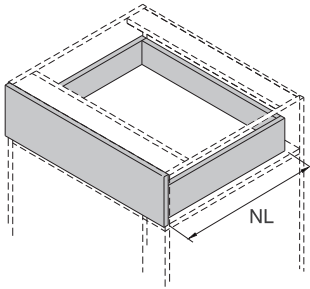
### Ordering

#### 25 kg Matrix Undermount Runners

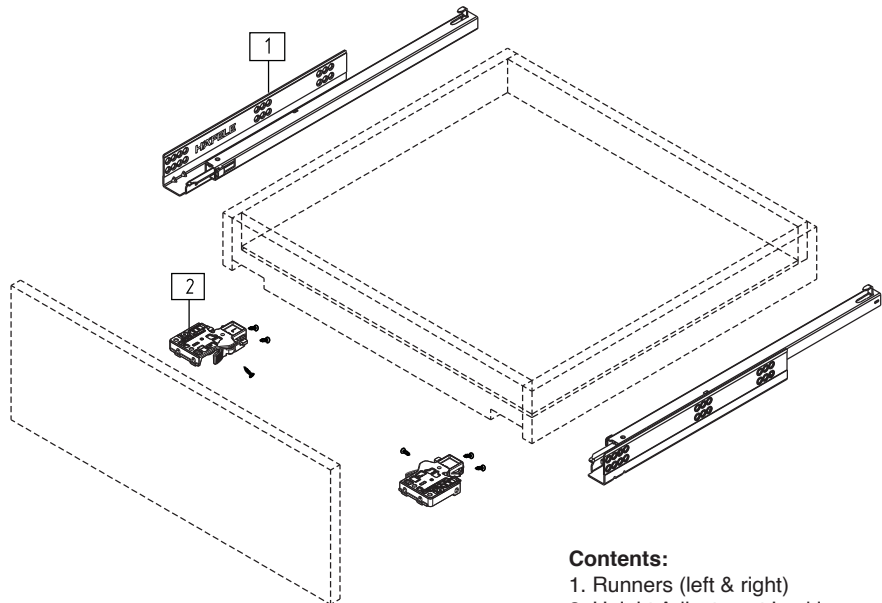
Nominal Length	Article Number
300 mm	433.31.101
350 mm	433.31.102
400 mm	433.31.103
450 mm	433.31.104
500 mm	433.31.105

### Space Requirement

### Soft Close Drawer



NL: Nominal Length



#### Contents:

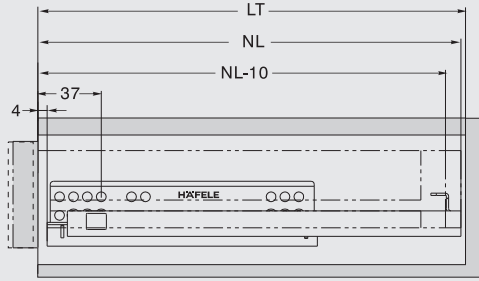
- 1. Runners (left & right)
- 2. Height Adjustment Locking Device (left & right)



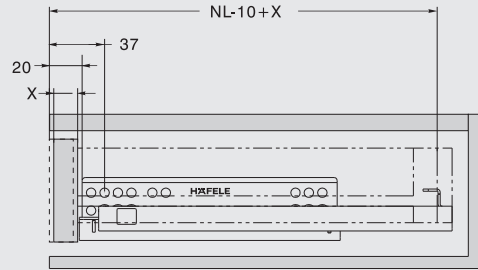
# MATRIX UM

## Drawer Installation Dimensions

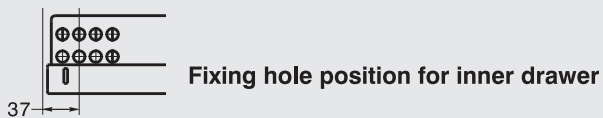
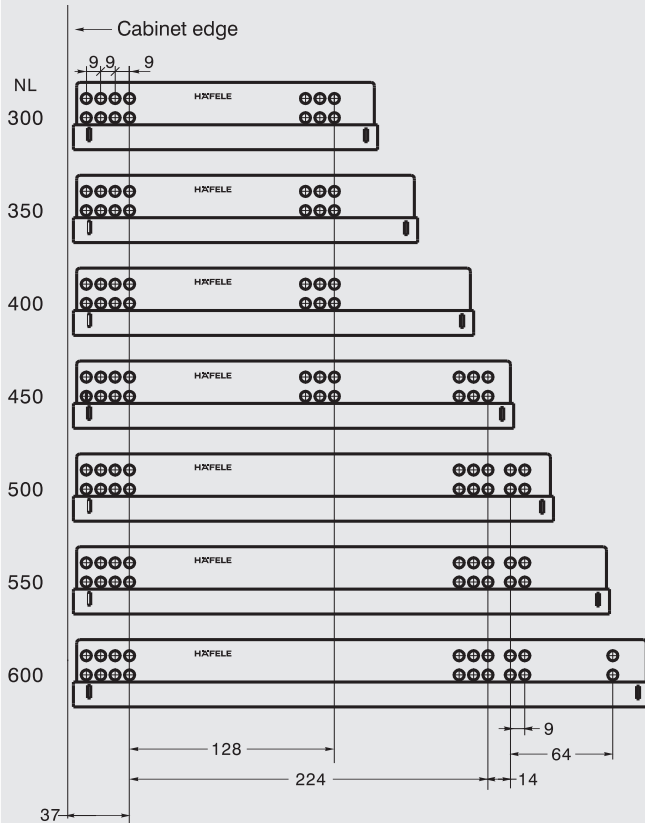
NL=Nominal Runner Length  
 LT=Internal Cabinet Depth  
 LTmin=NL+3



NL=Nominal Runner Length  
 LT=Internal Cabinet Depth  
 LTmin=NL+21

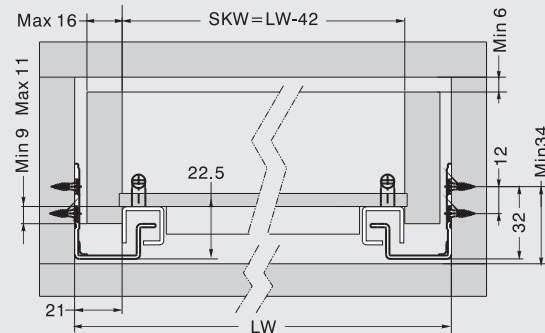


## Screw Positions of the Runner

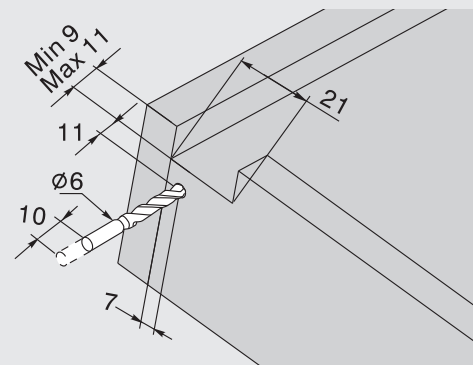


## Installation Dimensions

SKW = Internal Drawer Width      LW = Internal Cabinet Width



## Soft-closing Drawer Back Preparation



## Height Adjustment Locking Bracket Installation

