



## STORAGE SOLUTIONS FOR KITCHENS





---

Everything starts with an idea. An idea that we believe in, that drives us every day and that surprises and excites us again and again.

” *We want  
to create high-quality system  
solutions for living spaces.  
For everyone.*

This is the idea that Hermann Vauth and Heinrich Sagel created in 1962. And that we still hold on to today. Every day. To us space is in the eye of the beholder. We see solutions where others look away. We never rest on our laurels. We are always thinking one step ahead and looking for new challenges in order to recognize and redefine the living spaces of tomorrow and to facilitate and beautify everyday life.



Dear Customer,

In this age of globalization where the world is moving together towards integration and interconnectedness, inter-cultural exchanges are inevitable. Increased exposure to diverse cultures broadens horizons. These cultural influences surface in various fields, one of them being kitchen furniture conception, lay-outing and designing.

At Häfele we aim to create more functionality within the constraints of the space available so that you, our customer can 'get more life per meter square'. 'The Kitchen' remains a constant study for us and we spend a lot of time in coming up with innovative concepts that can optimize the space in every nook and corner of a kitchen without any compromise on 'functionality'.

As a result of this incessant quest for innovation, we at Häfele take pleasure in presenting this exclusive Vauth-Sagel catalogue, which takes you through multiple kitchen solutions like Tall Units, Corner Solutions and Base Cabinet Storage Systems. It also introduces you to Vauth-Sagel's new product innovations. Especially the pioneering

CORNERSTONE® MAXX fulfils the necessary needs of a corner cabinet in an innovative design. These additions will bring about flexibility, variety and differentiation to the existing range which is now available with a choice of 4 basket variations: Premea Basket (Grey), Premea Basket (Chrome), Artline Basket (Chrome) and the new Planero Basket (Lava Grey). Planero is the answer to the growing demand for high-quality storage space that not only satisfies the highest design standards, but is also practical and hygienic. Together with the latest color Lava Grey it propels kitchen aesthetics to the highest level.

These interior solutions will not only help add a touch of grandeur and magnificence to your kitchen but will also provide you with maximum flexibility and functionality. They are designed to bring confidence and style to your life at home.

Häfele, through this catalogue, strives to bring to you exclusive product offerings from Vauth-Sagel that effectively use the space in your kitchen – be it in the form of an unused corner, wasted gaps under your countertop and blind edges that leave no or little room for accessing cabinets. We hope you enjoy the glimpse of the range and eagerly wait for your comments and recommendations regarding them. Please let us know what you think of them!

A handwritten signature in black ink, appearing to read 'Jürgen Wolf', written in a cursive style.

Jürgen Wolf  
Managing Director  
(Häfele South Asia)





” *A good kitchen  
is a good part  
of a good life.*

The kitchen is the centre of household life, in all continents on earth. Priorities differ depending on the cultural area, with design customized according to the tastes and way of life of the residents – but it's always the place where people come together. Where people not only cook and eat together, but also talk, laugh and communicate with each other. A kitchen that is perfectly tailored to the desires and needs of its users, that optimally utilizes all spaces and that combines material quality, convenience, functionality and aesthetics is the ideal to which we have been committed to for more than 50 years.



# INTRINSIC VALUES FOR EVERY KITCHEN

**VS TAL®**  
TALL CABINETS

**+** **VS ADD®**  
ACCESSORIES

**VS ENVI®**  
WASTE BIN  
SYSTEMS

**VS COR®**  
CORNER CABINETS

**VS SUB®**  
BASE CABINETS

# CONTENT

---

## VARIANTS

---

|                                  |    |
|----------------------------------|----|
| Design variants and shelf design | 09 |
|----------------------------------|----|

## VS SUB® - BASE CABINETS

---

|                |    |
|----------------|----|
| VS SUB® Slim   | 13 |
| VS SUB® Side   | 17 |
| VS SUB® Basket | 21 |

## VS COR® - CORNER CABINETS

---

|                    |    |
|--------------------|----|
| CORNERSTONE® MAXX  | 25 |
| CORNERSTONE® Swing | 27 |
| CORNERSTONE®       | 29 |
| VS COR® Wheel Pro  | 33 |
| VS COR® Fold       | 35 |
| VS COR® Flex       | 39 |

## VS TAL® - TALL CABINETS

---

|                           |    |
|---------------------------|----|
| VS TAL® Larder            | 45 |
| VS TAL® Larder Spin       | 49 |
| VS TAL® Larder Power Move | 53 |
| VS TAL® Gate              | 55 |
| VS TAL® Gate N            | 59 |
| VS TAL® Gate Pro          | 61 |
| VS TAL® Bottle15          | 65 |
| VS TAL® Broom15           | 67 |

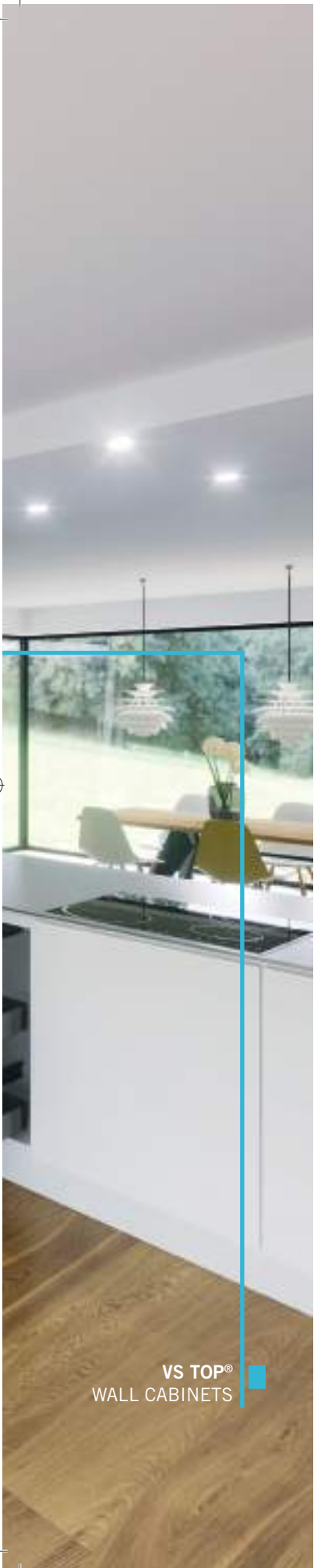
## VS ENVI® - WASTE BIN SYSTEMS

---

|                   |    |
|-------------------|----|
| VS ENVI® Center   | 71 |
| VS ENVI® Space    | 73 |
| VS ENVI® Space XX | 75 |
| VS ENVI® Kick     | 77 |

|                   |    |
|-------------------|----|
| ABOUT VAUTH-SAGEL | 81 |
|-------------------|----|

---



VS TOP®  
WALL CABINETS



Planero

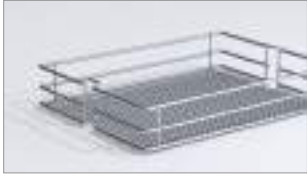


# DESIGN VARIANTS

VERSATILE AND FLEXIBLE.

---

Shape and material are often a matter of taste when choosing baskets. That's why the entire Vauth-Sagel basket line is designed as a modular system in which the guide and the frame can each be combined with all shelf variants.



## Saphir

Saphir mesh chrome or silver grey wire basket.



## Premea

Premea solid white wooden base with chrome or silver grey wire frame.



## Artline

Premea solid white wooden base with chrome wire frame and clear glass sides.



## Planero

Wooden base with powder coated steel border.



## Rail

White shelf with chrome/silver grey edge and chrome/silver grey rail



## Smart

White shelf with acrylic edge.



## Planero

Lava grey

# VS SUB<sup>®</sup> - BASE CABINETS

The base cabinet is the fundament of every kitchen. What happens under the work top is as important as what happens on top. Whether food or cooking utensils, cutlery or dishes,

whether for a small student's flat or a trendy loft – our base cabinet solutions are intelligent, versatile and flexible in order to make every day life easier.



VS SUB® Slim I Planero

# VS SUB® Slim

NO GAP IS TOO SMALL.

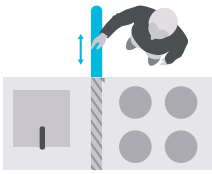
1



2



3



4



Niches in the kitchen often remain unused – until now. Two fixed racks transform the smallest gap into a stacking-space miracle for storing towels or baking trays.

## DETAILS

- \\ Cabinet width: 150 mm
- \\ Minimum installation depth: 495 mm
- \\ Minimum installation height: 530 mm
- \\ EasyFit: toolless assembly of pull-outs on the guides
- \\ Three versions: two storage racks, towel holder and baking tray storage
- \\ 3D front adjustment enables convenient and easy adjustment of the front
- \\ Integrated soft-closing and self-closing on both runners
- \\ Load capacity: max. 6 kg per shelf element
- \\ Storage versions: Rail and Planero

## BENEFITS

1. Optimal use of space
2. Complete overview at one pull
3. Optimal access
4. Time-saving

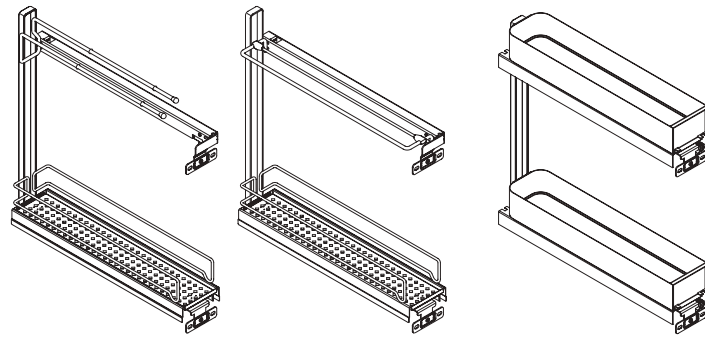
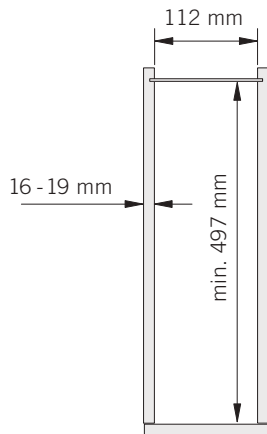


VS SUB® Slim with two storage racks



Cabinet dimension

Product dimension



| Art. No.   | Cabinet width | Details                                 |
|------------|---------------|---|
| 545.12.961 | 150 mm        | VS SUB® Slim, silver grey               |
| 545.12.172 | 150 mm        | VS SUB® Slim, chrome                    |
| 548.08.320 | 150 mm        | VS SUB® Slim, Planero basket, lava grey |
| 545.12.911 | 150 mm        | VS SUB® Slim Towel, silver grey         |
| 545.12.182 | 150 mm        | VS SUB® Slim Towel, chrome              |
| 548.08.340 | 150 mm        | VS SUB® Slim Towel, lava grey           |
| 545.12.841 | 150 mm        | VS SUB® Slim Tray, silver grey          |
| 545.12.282 | 150 mm        | VS SUB® Slim Tray, chrome               |
| 548.08.350 | 150 mm        | VS SUB® Slim Tray, lava grey            |
| 545.12.991 | 150 mm        | Bottle divider, silver grey             |
| 545.12.290 | 150 mm        | Bottle divider, chrome                  |

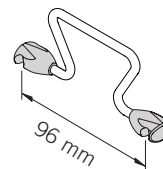


VS SUB® Slim Towel



VS SUB® Slim Tray

Bottle divider





VS SUB® Side I Planero



# VS SUB® Side

ALWAYS AT YOUR SIDE.

1



The demands in the kitchen change at a rapid pace. The traditional system that fits into any space has been redeveloped in terms of design and functionality. Our basic pull-out hence is an unbeatable bestseller.

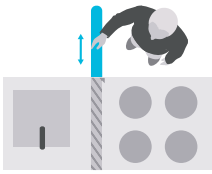
2



## DETAILS

- ✓ Cabinet widths: 150 and 300 mm
- ✓ Installation depth: min. 495 mm
- ✓ Installation height: min. 485 mm
- ✓ Unhanded
- ✓ EasyFit: toolless front connection
- ✓ Individually height-adjustable baskets
- ✓ 3D front adjustment enables convenient and easy adjustment of the front
- ✓ Integrated soft-closing and self-closing
- ✓ Mounting pattern: no measurement required when installing in cabinet
- ✓ System payload capacity: max. 20 kg
- ✓ Storage versions: Premea, Artline and Planero

3



4



## BENEFITS

1. Optimal use of space
2. Complete overview at one pull
3. Optimal access
4. Time-saving
5. Customisable height adjustment

5

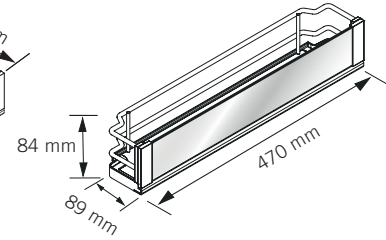
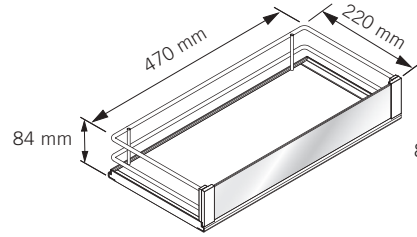
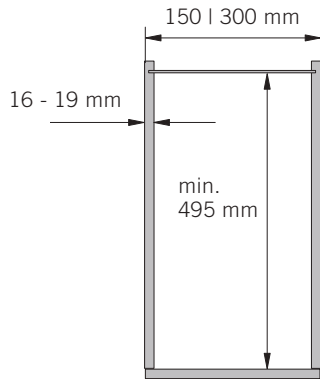




VS SUB® Side | Planero

Cabinet dimension

Product dimension



| Art. No.   | Cabinet width | Details                            |
|------------|---------------|------------------------------------|
| 546.38.960 | 150 mm        | VS SUB® Side, Premea, silver grey  |
| 546.38.210 | 150 mm        | VS SUB® Side, Premea, chrome       |
| 546.38.230 | 150 mm        | VS SUB® Side, Artline, clear glass |
| 546.38.964 | 300 mm        | VS SUB® Side, Premea, silver grey  |
| 546.38.214 | 300 mm        | VS SUB® Side, Premea, chrome       |
| 546.38.234 | 300 mm        | VS SUB® Side, Artline, clear glass |
| 546.38.494 | 300 mm        | VS SUB® Side, Planero, lava grey   |



VS SUB® Side | Premea



VS SUB® Side | Artline





VS SUB® Basket | Front pull-out

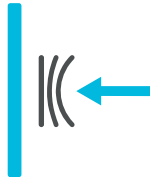
# VS SUB® Basket

A NICE MOVE TO THE BASKET.

1



2



Basket pull-out with integral self-closing and soft-closing for installation in cabinets with hinged doors or cabinets with door fronts. Usable as a front or internal pull-out, this basket pull-out is equipped with a self-closing mechanism and integrated shock absorption system.

## DETAILS

- ✓ Cabinet widths: 450 and 600 mm
- ✓ Installation depth: min. 515 mm
- ✓ Installation heights:
  - 160 mm with runner as internal pull-out without front connection
  - 185 mm with runner as front pull-out with front connection
- ✓ Variant with spacer bar for assembly behind the door
- ✓ Toolless assembly of baskets on the guides
- ✓ 3D front adjustment enables convenient and easy adjustment of the front
- ✓ Load capacity: max. 20 kg per basket
- ✓ Storage version: Saphir

## BENEFITS

1. Optimal access
2. Sound-damping and active soft-closing function



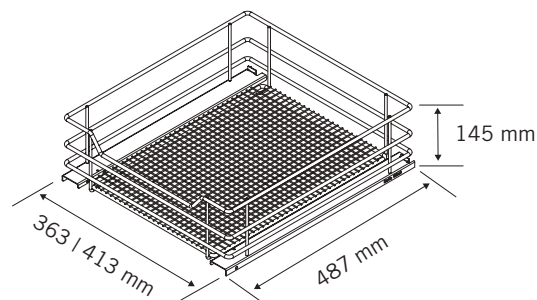
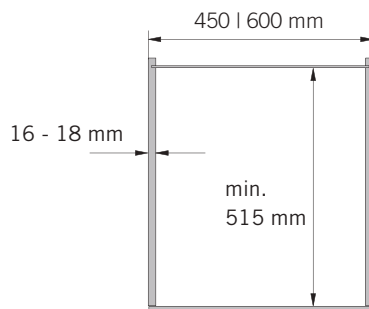
VS SUB® Basket | Inner pull-out

| Art. No.   | Cabinet width | Details                                      |
|------------|---------------|--|
| 548.04.923 | 450 mm        | VS SUB® Basket, silver grey (Inner pull-out) |
| 548.04.223 | 450 mm        | VS SUB® Basket, chrome (Inner pull-out)      |
| 548.04.913 | 450 mm        | VS SUB® Basket, silver grey (Front pull-out) |
| 548.04.213 | 450 mm        | VS SUB® Basket, chrome (Front pull-out)      |
| 548.04.926 | 600 mm        | VS SUB® Basket, silver grey (Inner pull-out) |
| 548.04.226 | 600 mm        | VS SUB® Basket, chrome (Inner pull-out)      |
| 548.04.916 | 600 mm        | VS SUB® Basket, silver grey (Front pull-out) |
| 548.04.216 | 600 mm        | VS SUB® Basket, chrome (Front pull-out)      |

Note: Please order 1 set of front attachment for front pull-out drawers.

Cabinet dimension

Product dimension



# VS COR® - CORNER CABINETS

A corner cabinet is not simply a cabinet placed in a corner. With this conceptual approach, we have developed cabinet solutions that not only optimally utilize angled spaces, but instead put

the corner right in the centre of the kitchen experience. As a result, we open up unseen perspectives in the kitchen and allow people to experience space in a new way.



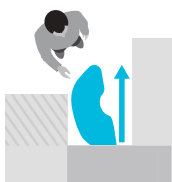
CORNERSTONE® MAXX | Planero



# CORNERSTONE® MAXX

THE MAXXIMUM IN INNOVATION.

1



2



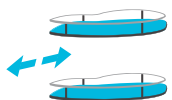
3



4



5



6



When you open the corner cabinet in the kitchen, you need a solution that meets you with the full contents - without obstructing the adjacent cabinets. CORNERSTONE® MAXX fulfills this need. Straight-extending kinematics with energy storage support, floating design with wide, stable shelf surface and simple installation. Your kitchen is upgraded in every respect as a result.

## DETAILS

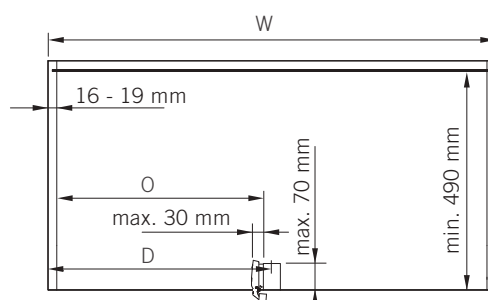
- ✓ Cabinet widths: 900 and 1200 mm
- ✓ Door widths: 450 and 600 mm
- ✓ Installation depth: min. 490 mm
- ✓ EasyFit: toolless assembly of shelf elements on the support arms
- ✓ PAM: Power Assisted movement in pull-out direction
- ✓ Simple height adjustment, even when installed
- ✓ The shelves can be moved in and out independently and do not obstruct the adjacent cabinet
- ✓ Floating design due to hidden fastening
- ✓ Load capacity: max. 25 kg per shelf
- ✓ Shelf variants: Planero

## BENEFITS

1. No blocking of neighbouring cabinet
2. Maximised storage space & optimal access
3. Up to 25 kg per tray
4. Customisable height adjustment
5. Soft closing (movement damping-trays)
6. Floating design

| Art. No.   | Cabinet width | Details   |
|------------|---------------|---|
| 542.02.492 | 900 mm        | CORNERSTONE® MAXX, right hand version, Planero, lava grey |
| 542.02.493 | 900 mm        | CORNERSTONE® MAXX, left hand version, Planero, lava grey  |
| 542.02.496 | 1200 mm       | CORNERSTONE® MAXX, right hand version, Planero, lava grey |
| 542.02.497 | 1200 mm       | CORNERSTONE® MAXX, left hand version, Planero, lava grey  |

## Cabinet dimension



| D      | W       | O           |
|--------|---------|-------------|
| 450 mm | 900 mm  | min. 411 mm |
| 600 mm | 1000 mm | min. 561 mm |







CORNERSTONE® Swing I Rail

Coming soon



# CORNERSTONE® Swing

THE CORNER IN THE CENTRE.

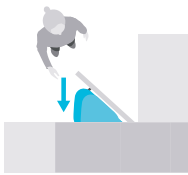
1



2



3



4



5



6



The CORNERSTONE® Swing carousel moves the entire content in front of the unit, thereby unlocking completely new design perspectives. The shelves swivel out to a comfortable distance away from the cabinet; everything is within easy reach. Each shelf can be attached at the required height, and the shelves disappear back inside the unit when the door is closed.

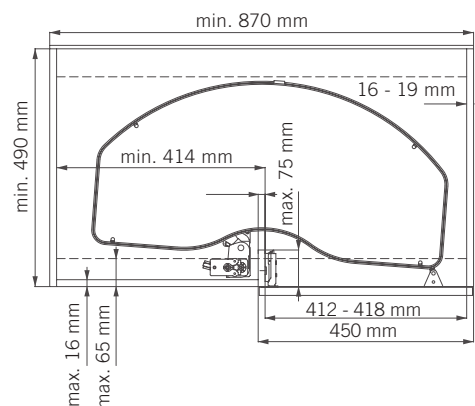
## DETAILS

- ✓ Cabinet width: 900 mm
- ✓ Door width: 450 mm
- ✓ L-movement of the shelves allows free access to neighbouring cabinets
- ✓ Unhanded
- ✓ Easy assembly - only support tube needs to be mounted
- ✓ Optional door attachment, modular design
- ✓ Soft-close damping
- ✓ Storage version: Rail

## BENEFITS

1. Lower tray automatically slides out when cupboard is opened
2. Optimal access with everything within reach
3. Lower trays automatically slide back in when cupboard is closed
4. Customisable height adjustment
5. Up to 18 kg per tray
6. Maximised storage space & optimal access

## Cabinet dimension





CORNERSTONE® | Rail

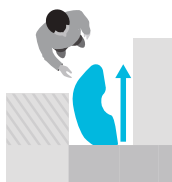
Till stock  
last



# CORNERSTONE®

THE CORNER IN THE CENTRE.

1



2



3



The CORNERSTONE® carousel moves the entire content in front of the unit, thereby unlocking completely new design perspectives. The shelves swivel out to a comfortable distance away from the cabinet; everything is within easy reach. Each shelf can be attached at the required height and the shelves disappear back inside the unit when the door is closed. CORNERSTONE®'s design is clear-cut and purist; the materials have been chosen perfectly to meet even the highest expectations. Thanks to a wide choice of interior fittings, CORNERSTONE® offers as many individual customisation options as possible.

## DETAILS

- ✓ Cabinet width: 900 mm
- ✓ Door width: 450 mm
- ✓ Minimum installation depth: 485 mm
- ✓ Minimum installation height: 520 mm
- ✓ Left and right hand version
- ✓ EasyFit: no tools needed to attach the storage elements to the central tube
- ✓ No tools needed to adjust the shelf height
- ✓ The upper shelf closes automatically when shutting the door thanks to a castor wheel
- ✓ The lower shelf is automatically pulled-out and pushed-in a via a carrier when opening the door
- ✓ Load capacity: max. 20 kg per shelf
- ✓ Storage version: Rail and Smart

## BENEFITS

1. No blocking of neighbouring cabinets
2. Customisable height adjustment
3. Maximised storage space & optimal access







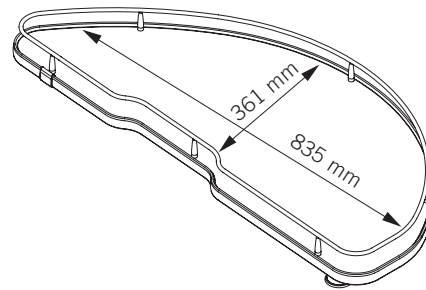
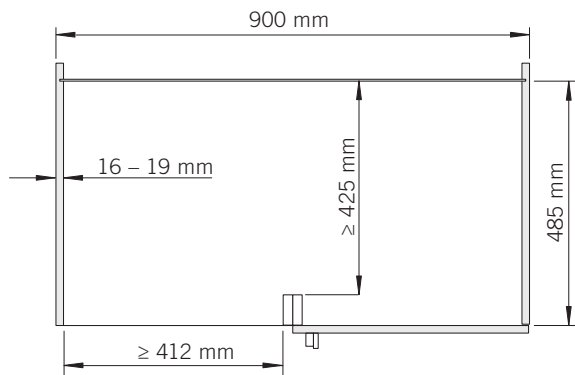
CORNERSTONE® | Rail

Till stock  
last



Cabinet dimension

Product dimension



CORNERSTONE®

| Art. No.   | Cabinet width | Details   |
|------------|---------------|---|
| 542.03.746 | 900 mm        | CORNERSTONE®, right hand version, Rail, silver grey |
| 542.03.747 | 900 mm        | CORNERSTONE®, left hand version, Rail, silver grey  |
| 542.03.246 | 900 mm        | CORNERSTONE®, right hand version, Rail, chrome      |
| 542.03.247 | 900 mm        | CORNERSTONE®, left hand version, Rail, chrome       |
| 542.03.146 | 900 mm        | CORNERSTONE®, right hand version, Smart, chrome     |
| 542.03.147 | 900 mm        | CORNERSTONE®, left hand version, Smart, chrome      |

Note: Set includes two white shelves with chrome/ Rail or acrylic edge.



VS COR® Wheel Pro | Rail 3/4



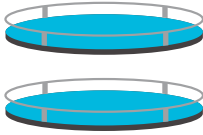
# VS COR® Wheel Pro

EVERYTHING REVOLVES AROUND YOU.

1



2



3



When it comes to kitchen corners, the more accessible storage space, the better. That's why this corner cabinet solution has no central, space-consuming standpipe, which gives you up to 20 percent more storage area – ideal for bulky kitchenware. The bases are held stable in the cabinet by an angled traverse. This function can also be used for under-sink cabinets, and the hidden mechanism also supports the aesthetic impression.

## DETAILS

- ✓ Cabinet width: 900 x 900 mm
- ✓ Side installation depth: min. 490 mm
- ✓ EasyFit: toolless assembly of shelf elements on the support arms
- ✓ Height-adjustable base positioning, independently of cabinet heights
- ✓ Can be installed in base cabinets, tall cabinets and top cabinets
- ✓ Can be retrofit into an installed kitchen
- ✓ Load capacity: max. 27.5 kg per shelf
- ✓ Storage versions: Rail and Smart

## BENEFITS

1. Optimal access
2. Floating design
3. Customisable height adjustment

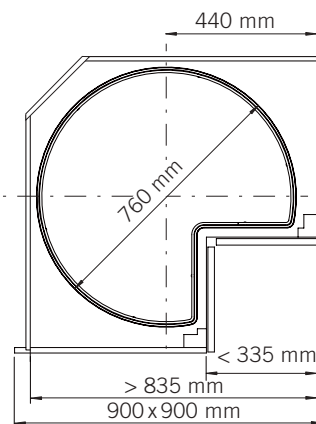


VS COR® Wheel Pro I Smart

| Art. No.   | Cabinet width | Details                                   |
|------------|---------------|---|
| 542.62.522 | 900 mm        | VS COR® Wheel Pro ,3/4, Rail, silver grey |
| 542.62.742 | 900 mm        | VS COR® Wheel Pro, 3/4, Smart             |
| 542.62.712 | 900 mm        | VS COR® Wheel Pro, 3/4, Rail, chrome      |

Note: Set includes two white shelves with acrylic edge and RAL9006 rail.

## Cabinet dimension



VS COR Wheel 3/4, Rail





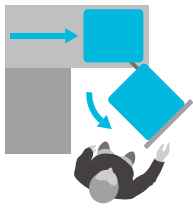
VS COR® Fold I Planero I right hand version



# VS COR® Fold

URNS A FOLD INTO KITCHEN GOLD.

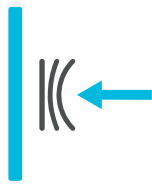
1



2



3



Regardless of what you've stored in the corner cabinet – with this solution, you can reach it effortlessly. The front baskets swivel out effortlessly when opening and facilitate access to the rear baskets, which automatically move into the front cabinet section. The integral self-closing damping unit guarantees quiet, effortless closure of the pull-out.

## DETAILS

- ✓ Cabinet width: 900 mm
- ✓ Door width: 450 mm
- ✓ Installation depth: min. 485 mm
- ✓ Installation height: min. 530 mm
- ✓ EasyFit: toolless assembly of the front on the pull-out
- ✓ 3D front adjustment enables convenient and easy adjustment of the front
- ✓ Individually height-adjustable shelf elements
- ✓ Payload capacity: max. 8 kg per front basket, rear baskets 9.5 kg each
- ✓ System payload capacity: max. 35 kg
- ✓ Storage versions: Premea, Artline and Planero

## BENEFITS

1. Optimal access
2. Customisable height adjustment
3. Sound-damping and active soft-closing function





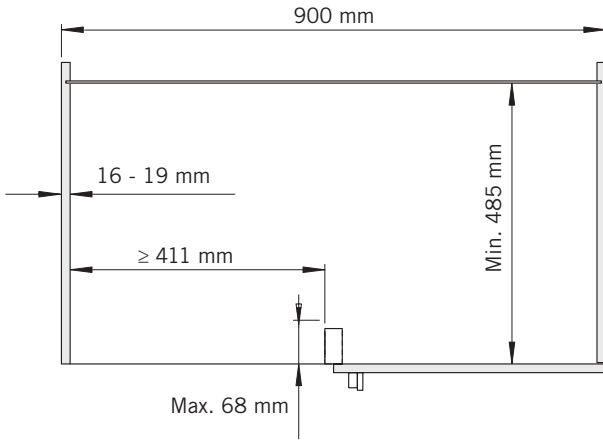


VS COR® Fold | Artline | right hand version

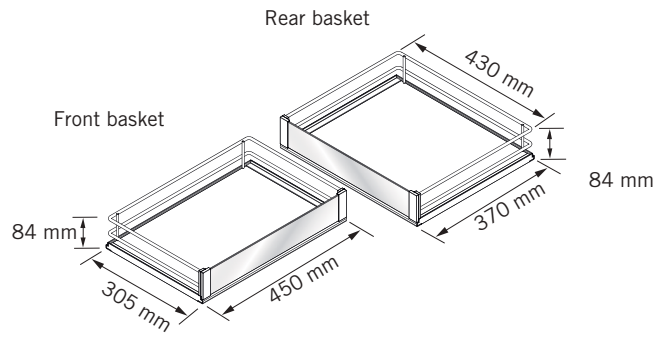
| Art. No.   | Cabinet width | Details  |
|------------|---------------|--|
| 548.18.981 | 900 mm        | VS COR® Fold, frame left hand version, Premea white, silver grey   |
| 548.18.371 | 900 mm        | VS COR® Fold, frame left hand version, Premea white, chrome        |
| 548.18.230 | 900 mm        | VS COR® Fold, frame left hand version, Artline, clear glass        |
| 548.18.980 | 900 mm        | VS COR® Fold, frame right hand version, Premea white, silver grey  |
| 548.18.370 | 900 mm        | VS COR® Fold, frame right hand version, Premea white, chrome       |
| 548.18.231 | 900 mm        | VS COR® Fold, frame right hand version, Artline white, clear glass |
| 548.13.386 | 900 mm        | VS COR® Fold, frame left hand version, Planero, lava grey          |
| 548.13.387 | 900 mm        | VS COR® Fold, frame right hand version, Planero, lava grey         |

Note: Set includes two front baskets and two rear baskets.

Cabinet dimension



Product dimension



VS COR® Fold I Premea



Right hand version



Left hand version



VS COR® Flex | Planero

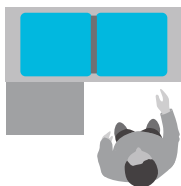


# VS COR® Flex

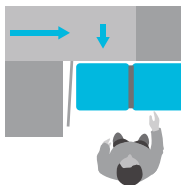
ACCESS TO EVERY CORNER.

---

1



2



Even the largest storage space is useless if it's not accessible. That's why this system enables full access to the cabinet contents, transforming every corner into functional space. Installation is unhanded: the frame is mounted to the bottom of the corner cabinet.

## DETAILS

- \\ Cabinet width: 900 mm
- \\ Door widths: 450 - 600 mm
- \\ Minimum installation depth: 500 mm
- \\ Minimum installation height: 530 mm
- \\ Integrated soft-closing and self-closing on both pull-outs
- \\ Mounting pattern: no measurement required when installing in cabinet
- \\ Payload capacity: 8 kg per basket
- \\ System payload capacity: max. 32 kg
- \\ Storage versions: Premea and Planero

## BENEFITS

1. Best use of space
2. Optimal access







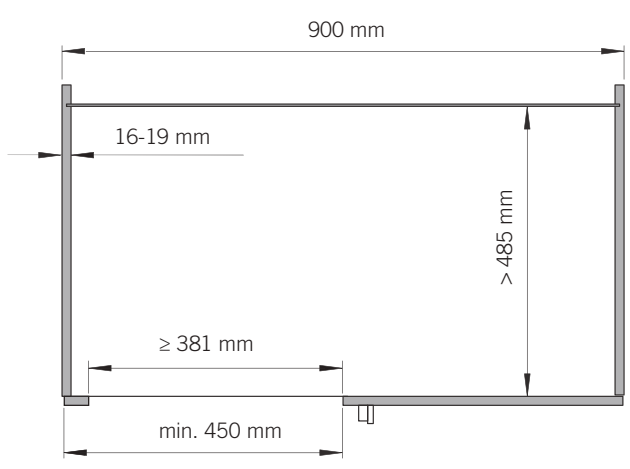
VS COR® Flex | Premea



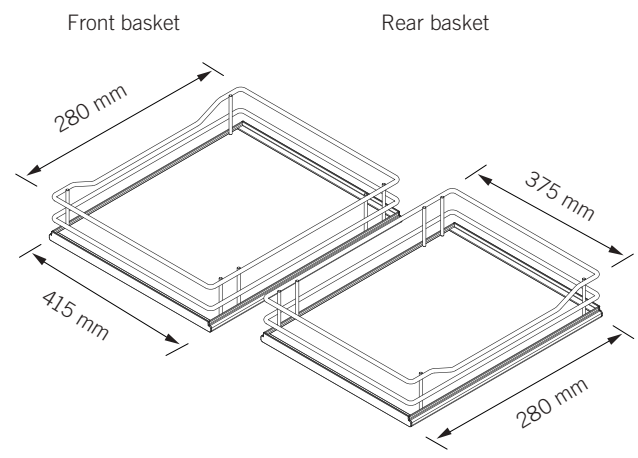
| Art. No.   | Cabinet width | Details  |
|------------|---------------|--|
| 548.29.283 | 900 mm        | VS COR® Flex, frame left hand version, Premea white, silver grey |
| 548.29.233 | 900 mm        | VS COR® Flex, frame left hand version, Premea white, chrome      |
| 548.29.343 | 900 mm        | VS COR® Flex, Planero, lava grey                                 |

Note: Set includes two front baskets and two rear baskets.

Cabinet dimension



Product dimension



# VS TAL<sup>®</sup> - TALL CABINETS

An elegant tall cabinet is the gateway to a good kitchen life. As a storage cabinet for food or as a practical storage option for kitchen utensils, it significantly contributes to

improved working efficiency and an increased quality of life. Neither narrow gaps nor small opening angles stand in the way of our top cabinet solutions.



VS TAL® Larder | Planero



# VS TAL® Larder

YOUR STOCKPILE OF ACCESSIBLE STORAGE SPACE.

1



Every kitchen needs a little elegance. The front opens and shuts easily and silently due to the damping and self closing mechanism of the full extension runners. The frame and the front connections are designed in a high-quality, double powder-coated surface.

2



## DETAILS

- ✓ Cabinet widths: 300, 400, 450 and 600 mm
- ✓ Installation depth: 500 mm
- ✓ Installation height: 1900 - 2140 mm
- ✓ EasyFit: self-locking system for toolless assembly of the frame on the lower and upper runner
- ✓ 3D front adjustment enables convenient and easy adjustment of the front
- ✓ Stabilization of the front by front rails
- ✓ Individually height-adjustable baskets
- ✓ Roller guide with high load capacity and low noise
- ✓ Synchronization of upper and lower end stops
- ✓ Full synchronised bottom runner
- ✓ PAM: optional Power Assisted Movement in pull-out direction
- ✓ Self- and soft-closing
- ✓ System payload capacity: max. 80 kg
- ✓ Total load capacity: max. 120 kg
- ✓ Storage versions: Premea, Artline and Planero

3



## BENEFITS

1. Optimal access
2. Complete overview at one pull
3. Time-saving
4. Customisable height adjustment

4



VS TAL® Larder | Premea



VS TAL® Larder | Artline





VS TAL® Larder | Premea

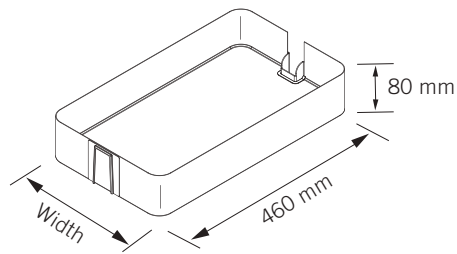
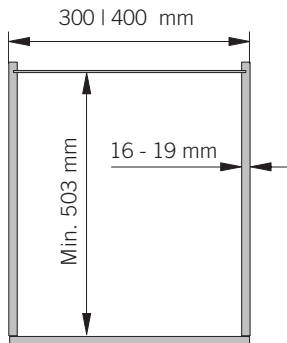


| Art. No.   | Cabinet width | Details  |
|------------|---------------|--|
| 547.49.915 | 300 mm        | VS TAL® Larder 6 (1900 - 2140 mm) Premea, silver grey  |
| 547.49.215 | 300 mm        | VS TAL® Larder 6 (1900 - 2140 mm) Premea, chrome       |
| 547.49.715 | 300 mm        | VS TAL® Larder 6 (1900 - 2140 mm) Artline, clear glass |
| 547.49.415 | 300 mm        | VS TAL® Larder 6 (1900 - 2140 mm) Planero, lava grey   |
| 547.49.935 | 400 mm        | VS TAL® Larder 6 (1900 - 2140 mm) Premea, silver grey  |
| 547.49.235 | 400 mm        | VS TAL® Larder 6 (1900 - 2140 mm) Premea, chrome       |
| 547.49.735 | 400 mm        | VS TAL® Larder 6 (1900 - 2140 mm) Artline, clear glass |
| 547.49.435 | 400 mm        | VS TAL® Larder 6 (1900 - 2140 mm) Planero, lava grey   |

Note: Set include frame and 5 baskets.

#### Cabinet dimension

#### Product dimension



| Cabinet width | Width  |
|---------------|--------|
| 300 mm        | 250 mm |
| 400 mm        | 350 mm |
| 450 mm        | 400 mm |
| 600 mm        | 550 mm |



VS TAL® Larder Spin | Artline



# VS TAL® Larder Spin

A PULL-OUT THAT TURNS IT ALL AROUND.

1



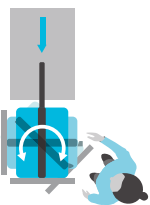
2



3



4



It's often the details that make a kitchen more comfortable. Based on the reliable pharmacy pull-out, this solution provides convenient added value: it can be rotated completely to the right or left when extended allowing free access to the stored

## DETAILS

- ✓ Cabinet widths: 300 and 400 mm
- ✓ Installation depth: min. 500 mm
- ✓ Installation height: 1900 - 2140 mm
- ✓ Stabilization of the front by front rails
- ✓ Guide with high load capacity rollers for a total payload capacity of 120 kg
- ✓ 3D front adjustment enables convenient and easy adjustment of the front
- ✓ Height adjustable basket mounting with functional clip; secure hold and low noise
- ✓ Storage versions: Premea, Artline and Planero

## BENEFITS

1. Optimal access
2. Customisable height adjustment
3. Time-saving
4. Access from all sides



VS TAL® Larder Spin | Premea





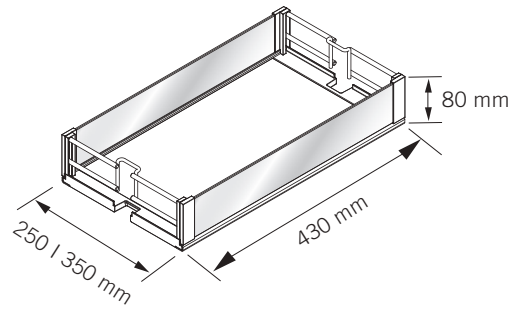
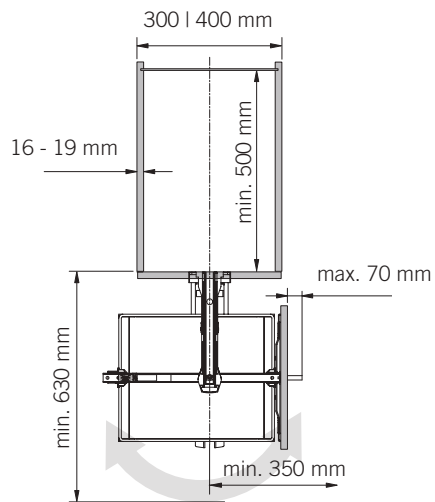
VS TAL® Larder Spin I Premea

| Art. No.   | Cabinet width | Details   |
|------------|---------------|---|
| 547.46.905 | 300 mm        | VS TAL® Larder Spin 6 (1900 - 2140 mm) Premea, silver grey  |
| 547.46.705 | 300 mm        | VS TAL® Larder Spin 6 (1900 - 2140 mm) Premea, chrome       |
| 547.46.305 | 300 mm        | VS TAL® Larder Spin 6 (1900 - 2140 mm) Artline, clear glass |
| 547.46.405 | 300 mm        | VS TAL® Larder Spin 6 (1900 - 2140 mm) Planero, lava grey   |
| 547.46.925 | 400 mm        | VS TAL® Larder Spin 6 (1900 - 2140 mm) Premea, silver grey  |
| 547.46.725 | 400 mm        | VS TAL® Larder Spin 6 (1900 - 2140 mm) Premea, chrome       |
| 547.46.325 | 400 mm        | VS TAL® Larder Spin 6 (1900 - 2140 mm) Artline, clear glass |
| 547.46.425 | 400 mm        | VS TAL® Larder Spin 6 (1900 - 2140 mm) Planero, lava grey   |

Note: Set include frame and 5 baskets.

#### Cabinet dimension

#### Product dimension







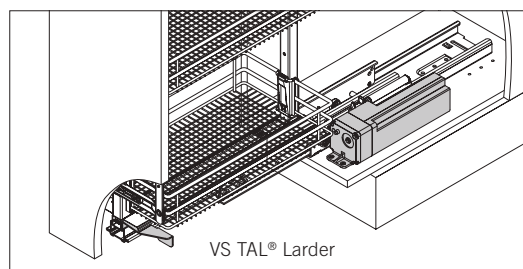
VS TAL® Larder Power Move

# VS TAL® Larder Power Move

## ELECTRIC MOTOR SUPPORT FOR SUPER EASY OPENING

A typical situation in kitchens every day: No free hand to open the cabinet? That is no problem anymore because a gentle pushing at the front triggers the opening process. Silently and smoothly the door opens also because of an integrated pull-out damping. Frame and fronts are made of the same high quality double powder-coated surface by a high-grade appearance.

| Art. No.   | Details  |
|------------|--|
| 547.21.090 | VS TAL® Larder Power move for VS TAL® Larder and VS TAL® Larder Spin |





VS TAL® Gate | Planero



# VS TAL® Gate

THE GATEWAY TO MAXIMUM STORAGE SPACE.

1



This tall cabinet solution opens up the best perspectives in the kitchen. Developed for maximum storage space and easy access, it sets new standards in convenience and design. It is particularly characterized by the opening mechanism that automatically moves the stored goods toward the user in one go, providing for an optimal overview.

2



## DETAILS

- ✓ Cabinet widths: 450 and 600 mm
- ✓ Installation depth: min. 480 mm
- ✓ Installation height: VS TAL® Gate 3: 1200 - 1450 mm (4 baskets)  
VS TAL® Gate 6: 1900 - 2140 mm (5 baskets)
- ✓ EasyFit: toolless frame assembly on the lower runner
- ✓ EasyFit: toolless connection between the driver and support frame
- ✓ Individually height-adjustable baskets
- ✓ System payload capacity: max. 75 kg
- ✓ Storage versions: Premea, Artline and Planero

3



4



## BENEFITS

1. Optimal access
2. Complete overview at one pull
3. Time-saving
4. Customisable height adjustment



VS TAL® Gate | Premea



VS TAL® Gate | Artline





VS TAL® Gate | Premea



| Art. No.   | Cabinet width | Details  |
|------------|---------------|--|
| 549.58.521 | 450 mm        | VS TAL® Gate 3 (1200 - 1450 mm) Premea, silver grey  |
| 549.58.821 | 450 mm        | VS TAL® Gate 3 (1200 - 1450 mm) Premea, chrome       |
| 549.58.421 | 450 mm        | VS TAL® Gate 3 (1200 - 1450 mm) Artline, clear glass |
| 549.58.541 | 600 mm        | VS TAL® Gate 3 (1290 - 1450 mm) Premea, silver grey  |
| 549.58.841 | 600 mm        | VS TAL® Gate 3 (1200 - 1450 mm) Premea, chrome       |
| 549.58.441 | 600 mm        | VS TAL® Gate 3 (1200 - 1450 mm) Artline, clear glass |
|            |               |  |
| 549.58.524 | 450 mm        | VS TAL® Gate 6 (1900 - 2140 mm) Premea, silver grey  |
| 549.58.824 | 450 mm        | VS TAL® Gate 6 (1900 - 2140 mm) Premea, chrome       |
| 549.58.424 | 450 mm        | VS TAL® Gate 6 (1900 - 2140 mm) Artline, clear glass |
| 549.58.224 | 450 mm        | VS TAL® Gate 6 (1900 - 2140 mm) Planero, lava grey   |
| 549.58.544 | 600 mm        | VS TAL® Gate 6 (1900 - 2140 mm) Premea, silver grey  |
| 549.58.844 | 600 mm        | VS TAL® Gate 6 (1900 - 2140 mm) Premea, chrome       |
| 549.58.444 | 600 mm        | VS TAL® Gate 6 (1900 - 2140 mm) Artline, clear glass |
| 549.58.244 | 600 mm        | VS TAL® Gate 6 (1900 - 2140 mm) Planero, lava grey   |

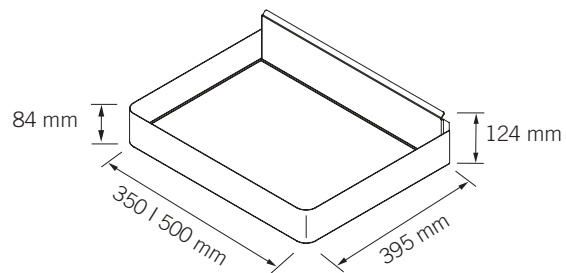
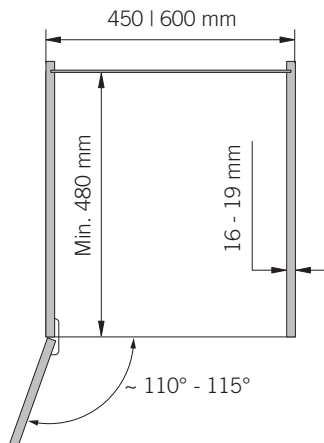
Note: Set includes frame and baskets.

Frame 3: 4 baskets

Frame 6: 5 baskets

#### Cabinet dimension

#### Product dimension



Note: Recommended hinges ~110° to 115° (not included). If soft-closing required, hinges with damper must be used.



VS TAL® Gate N | Planero

# VS TAL® Gate N

SPACE NEVER RUNS SHORT HERE.

1



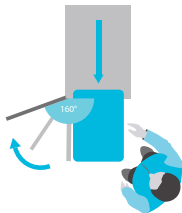
2



3



4



5



Space-saving solutions are especially important in the kitchen: like this practical pull-out that gets the best out of narrow tall cabinets. With a single grip it provides an insight into the entire contents of the cabinets. The approx. 160° door opening and the height-adjustable shelves allow for customized adjustments.

## DETAILS

- ✓ Cabinet width: 400 mm
- ✓ Installation depth: min. 480 mm
- ✓ Installation height: 1900 to 2140 mm
- ✓ EasyFit: toolless frame assembly on the lower runner
- ✓ EasyFit: toolless connection between the driver and support frame
- ✓ Individually height-adjustable baskets
- ✓ System payload capacity: max. 75 kg
- ✓ Storage versions: Premea and Planero

## BENEFITS

1. Optimal access
2. Complete overview at one pull
3. Time-saving
4. Maximal access from minimum opening
5. Customisable height adjustment

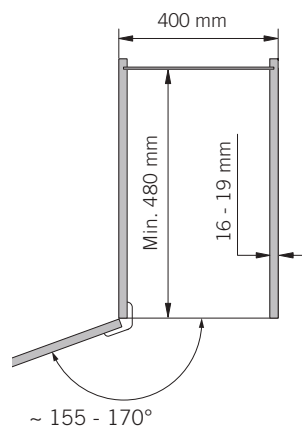
| Art. No.   | Cabinet width | Details   |
|------------|---------------|---|
| 549.58.814 | 400 mm        | VS TAL® Gate N 6 (1900 - 2140 mm), Premea, chrome     |
| 549.58.214 | 400 mm        | VS TAL® Gate N 6 (1900 - 2140 mm), Planero, lava grey |

Cabinet dimension

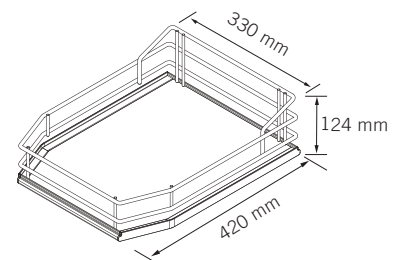
Product dimension



VS TAL® Gate | Premea



~ 155 - 170°





VS TAL® Gate Pro I Planero



# VS TAL® Gate Pro

EVEN MORE SPACE FOR YOUR IDEAS.

1



Its extraordinary user-friendliness, efficiency and its harmonious design make it an element that you do not want to miss in a state-of-the-art kitchen.

The fitting not only provides large storage space, but also fulfills all the requirements of a comfortable storage space solution. Enhance it to become a chef pantry, where two storage cabinets are arranged next to each other.

2



## DETAILS

- ✓ Cabinet widths: 450 and 600 mm
- ✓ Installation depth: min. 480 mm
- ✓ Installation height: VS TAL® Gate Pro 3: 1200 - 1450 mm (4 front and 4 rear baskets)  
VS TAL® Gate Pro 6: 1900 - 2140 mm (5 front and 5 rear baskets)
- ✓ EasyFit: toolless frame assembly on the lower runner
- ✓ EasyFit: toolless connection between the driver and support frame
- ✓ Individually height-adjustable baskets
- ✓ System payload capacity: front basket max. 20 kg (5 kg per basket), pull-out max. 80 kg (20 kg per basket)
- ✓ Storage versions: Premea, Artline and Planero

3



## BENEFITS

1. Optimal access
2. Complete overview at one pull
3. Time-saving
4. Additional storage space
5. Customisable height adjustment

4



5



VS TAL® Gate Pro | Premea



VS TAL® Gate Pro | Artline







VS TAL® Gate Pro I Premea

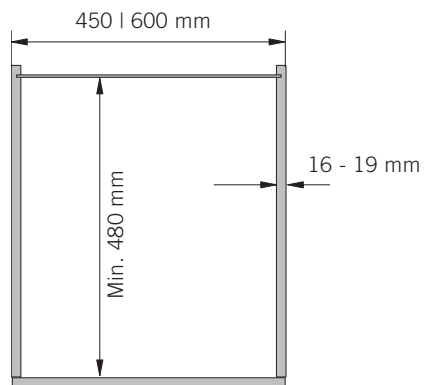
| Art. No.   | Cabinet width | Details  |
|------------|---------------|--|
| 547.27.502 | 450 mm        | VS TAL® Gate Pro 3 (1200 - 1450 mm) Premea, silver grey  |
| 547.27.305 | 450 mm        | VS TAL® Gate Pro 3 (1200 - 1450 mm) Premea, chrome       |
| 547.27.402 | 450 mm        | VS TAL® Gate Pro 3 (1200 - 1450 mm) Artline, clear glass |
| 547.27.522 | 600 mm        | VS TAL® Gate Pro 3 (1200 - 1450 mm) Premea, silver grey  |
| 547.27.322 | 600 mm        | VS TAL® Gate Pro 3 (1200 - 1450 mm) Premea, chrome       |
| 547.27.422 | 600 mm        | VS TAL® Gate Pro 3 (1200 - 1450 mm) Artline, clear glass |
| 547.27.505 | 450 mm        | VS TAL® Gate Pro 6 (1900 - 2150 mm) Premea, silver grey  |
| 547.27.305 | 450 mm        | VS TAL® Gate Pro 6 (1900 - 2150 mm) Premea, chrome       |
| 549.58.224 | 450 mm        | VS TAL® Gate Pro 6 (1900 - 2150 mm) Planero, lava grey   |
| 547.27.405 | 450 mm        | VS TAL® Gate Pro 6 (1900 - 2150 mm) Artline, clear glass |
| 547.27.525 | 600 mm        | VS TAL® Gate Pro 6 (1900 - 2150 mm) Premea, silver grey  |
| 547.27.325 | 600 mm        | VS TAL® Gate Pro 6 (1900 - 2150 mm) Premea, chrome       |
| 547.27.425 | 600 mm        | VS TAL® Gate Pro 6 (1900 - 2150 mm) Artline, clear glass |
| 547.27.025 | 600 mm        | VS TAL® Gate Pro 6 (1900 - 2150 mm) Planero, lava grey   |

Note: Set includes baskets.

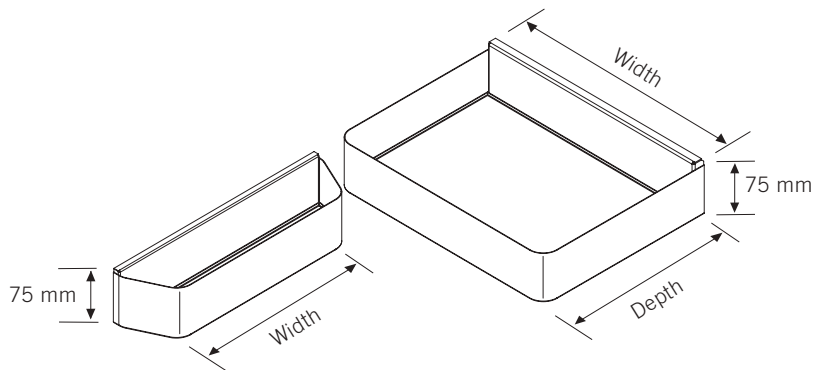
Frame 3, 4 front and 4 rear baskets

Frame 6, 5 front and 5 rear baskets

### Cabinet dimension



### Product dimension



#### Front basket dimension

| Cabinet width | Width  | Depth  |
|---------------|--------|--------|
| 450 mm        | 365 mm | 110 mm |
| 600 mm        | 465 mm | 110 mm |

#### Rear basket dimension

| Cabinet width | Width  |
|---------------|--------|
| 450 mm        | 350 mm |
| 600 mm        | 500 mm |



VS TAL® Bottle15



# VS TAL® Bottle15

THE RACK FOR GOURMETS.

1



Store the entire spectrum of fine wines on a rack that takes up a mere fifteen centimetres of space. All you need is this special pull-out rack with bottle holders and baskets. Simply open the cabinet instead of wasting your time with a trip down to the cellar, time that would be better spent enjoying them!

2



## DETAILS

- ✓ Cabinet width: 150 mm
- ✓ Installation depth: min. 500 mm
- ✓ Installation height: min. 1780 mm
- ✓ Optimum air circulation
- ✓ Brings the contents in front of the cabinet
- ✓ Front rack with connection to the front
- ✓ Load capacity: max. 25 kg
- ✓ Includes shelves and bottle holders

3



## BENEFITS

1. Optimal access
2. Complete overview at one pull
3. Optimum air circulation
4. Time-saving

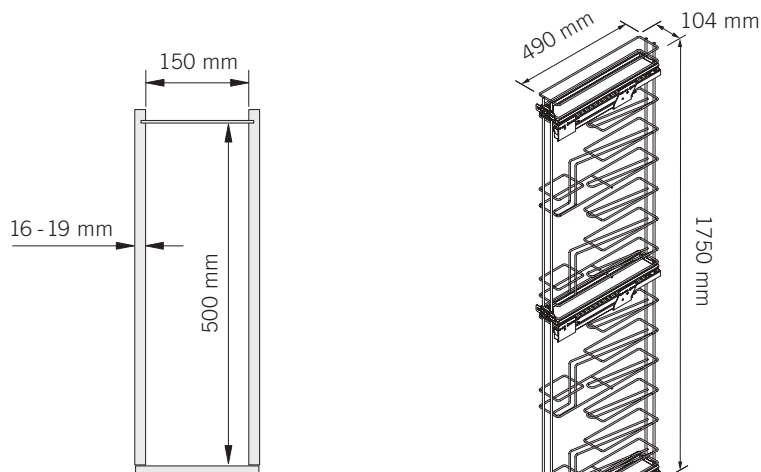
4



| Art. No.   | Cabinet width | Details                       |
|------------|---------------|-------------------------------|
| 549.85.931 | 150 mm        | VS TAL® Bottle15, silver grey |
| 549.85.231 | 150 mm        | VS TAL® Bottle15, chrome      |
| 549.85.503 | 150 mm        | VS TAL® Bottle15, lava grey   |

Cabinet dimension

Product dimension





VS TAL® Broom15



# VS TAL® Broom15

THE SLIMMEST BROOM CUPBOARD IN THE WORLD.

1



2



3



4



Storing brooms and cleaning materials in a stylish yet handy way is a challenge which this special tall cabinet pull-out rack masters effortlessly. Everything tidily stored away, on a hand and not on view. A neat solution: typical for Vauth-Sagel.

## DETAILS

- ✓ Cabinet width: 150 mm
- ✓ Installation depth: min. 500 mm
- ✓ Installation height: min. 1780 mm
- ✓ Optimum air circulation
- ✓ Brings the contents in front of the cabinet
- ✓ Front rack with connection to the front
- ✓ Load capacity: max. 25 kg
- ✓ Includes five shelves and four 1.2 litre plastic trays

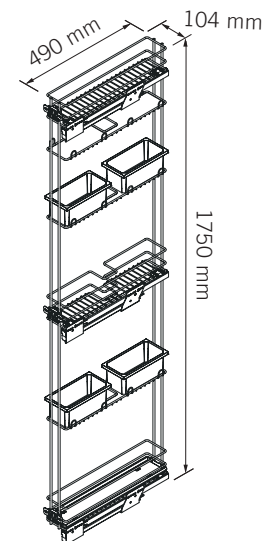
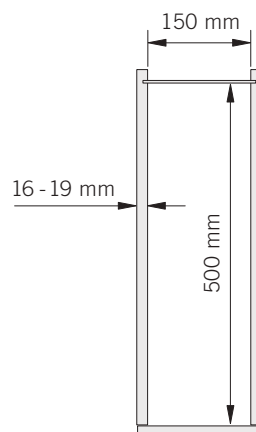
## BENEFITS

1. Optimal access
2. Complete overview at one pull
3. Optimum air circulation
4. Time-saving

| Cabinet width | Details                      |
|---------------|------------------------------|
| 549.94.900    | VS TAL® Broom15, silver grey |
| 549.85.343    | VS TAL® Broom15, lava grey   |

Cabinet dimension

Product dimension



# VS ENVI® - WASTE BIN SYSTEMS

Hygiene, environmental awareness and sustainability play a special role in the kitchen - especially in waste disposal. This requires system solutions which maintain both - the cleanliness of

the kitchen and a flexible separation. As a result, it's not only your own living space that stays clean, but nature as well.



VS ENVI® Center with two-bin version (2x9 litre)

# VS ENVI® Center

AN ALL-AROUND SUCCESS FOR HYGIENE.

1



2



3



4



Handling kitchen waste requires reliable solutions like these: When the system is opened the lid lifts up and the bins swing out; when the system is closed, the lid is automatically placed on the bins. Cleanliness and hygiene are of prime importance. The bins are made of high-grade plastic with extra-smooth sides, making them easier to clean.

## DETAILS

- ✓ Cabinet width: min. 400 mm (for the single- and two-bin version)
- ✓ Minimum installation depth: 350 mm for the single- and two-bin versions
- ✓ Minimum installation height: min. 525 mm
- ✓ EasyFit: toolless removal and installation after initial assembly
- ✓ Simple removal of the complete system for cabinet cleaning
- ✓ No additional stress load on the front
- ✓ Containers automatically swing out when opening the door
- ✓ Can be combined with all soft-closing hinges
- ✓ System capacity: 18 to 39 litres

## BENEFITS

1. Clearly arranged waste separation
2. Automatic opening and closing
3. Odour sealing
4. Easy to clean



VS ENVI® Center single-bin version (1x18 litre)

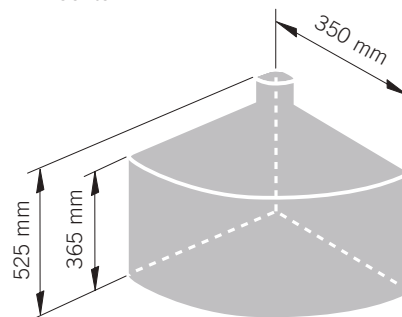
| Art. No.   | Cabinet width | Details                 | Capacity   |
|------------|---------------|-------------------------|------------|
| 502.79.500 | 400 mm        | VS ENVI® Center, 1 bin  | 1x18 litre |
| 502.79.501 | 400 mm        | VS ENVI® Center, 2 bins | 2x9 litre  |

Note: Set includes bin.

## Product dimension

VS ENVI® Center 1

VS ENVI® Center 2





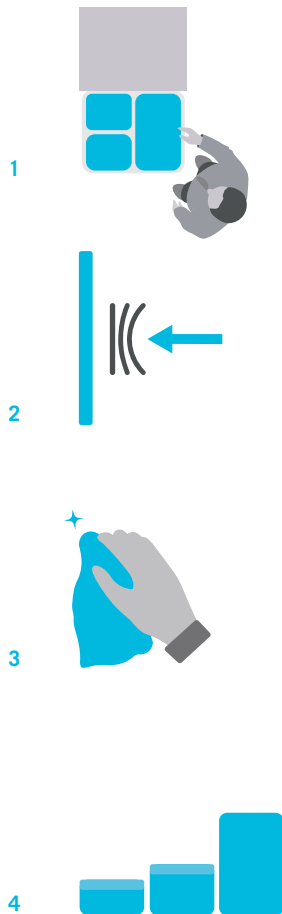
VS ENVI® Space with two-bin version (2x22 litres)





# VS ENVI® Space

EVEN THE UNUSABLE NEEDS SPACE.



Dishes, cutlery, cooking utensils and food share storage space in the kitchen. But waste needs space, too. Thanks to its various volumes, this space-saving system is the optimal solution. The containers are made from high quality plastic with side walls that are especially easy to clean. The full pull-out with shock absorption guarantees quiet closing.

## DETAILS

- ✓ Cabinet widths: 450 and 600 mm
- ✓ Installation depth: 464 mm
- ✓ Installation height VS ENVI® Space: 370 mm
- ✓ EasyFit: toolless assembly of container carriers on the guides
- ✓ Integrated mounting pattern: no measuring necessary when installing into cabinet
- ✓ Integrated 3D front adjustment via eccentric
- ✓ Integrated soft-closing and self-closing in both runners
- ✓ Additional shelf via pull-out cover plate
- ✓ Special insert for perfect bag fastening
- ✓ Total capacity system: 42 to 44 litres

## BENEFITS

1. Clearly arranged waste separation
2. Sound-dampening and active soft-closing function
3. Easy to clean
4. Various container sizes



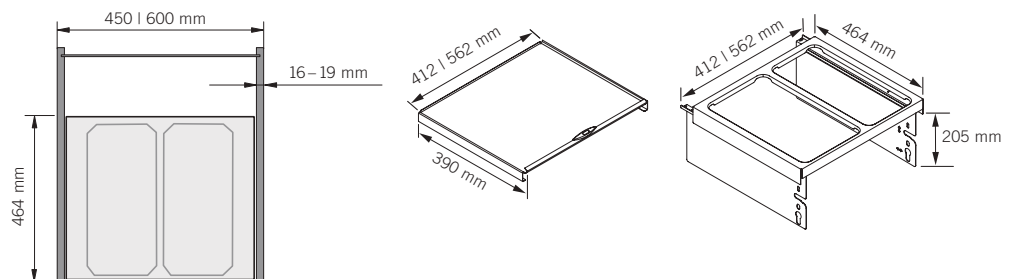
VS ENVI® Center two-bin version (2x21 litres)

| Art. No.   | Cabinet width | Details                | Capacity    |
|------------|---------------|------------------------|-------------|
| 503.04.514 | 450 mm        | VS ENVI® Space, 2 bins | 2x21 litres |
| 503.04.508 | 600 mm        | VS ENVI® Space, 2 bins | 2x22 litres |

Note: Set includes bin.

Cabinet dimension

Product dimension





VS ENVI® Space XX with two-bin version (2x35 litres)

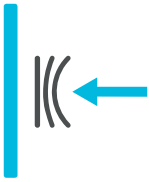
# VS ENVI® Space XX

BIG HELP IN A SMALL CABINET.

1



2



3



4



Waste sorting is a big topic even in a small kitchen. Thanks to this solution, though, it's not a big problem. Equipped with a guide system, self-closure and shock absorption, it accommodates large containers even in a small kitchen cabinets. The system can be used directly under the counter top, enabling easy input of waste, directly from the work surface.

## DETAILS

- ✓ Cabinet width: 450 mm
- ✓ Installation depth: min. 480 mm
- ✓ Installation height: min. 580 mm
- ✓ Integrated 3D front adjustment using via eccentric
- ✓ Integrated soft-closing and self-closing on both runners
- ✓ Additional storage available using powder-coated lid
- ✓ Food proof and dishwasher safe
- ✓ System capacity: 70 litres

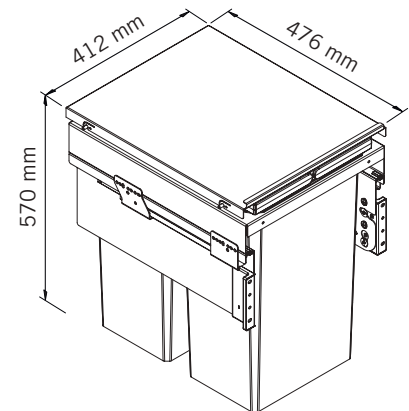
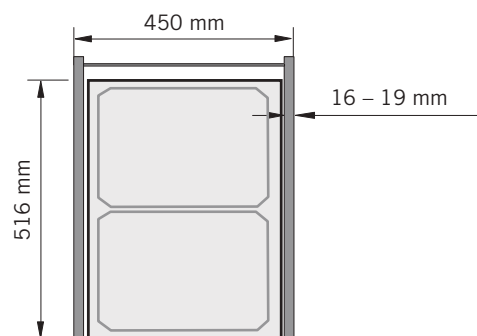
## BENEFITS

1. Clearly arranged waste separation
2. Sound-damping and active soft-closing function
3. Easy to clean
4. Various container sizes

| Art. No.   | Cabinet width | Details                   | Capacity    |
|------------|---------------|---------------------------|-------------|
| 503.17.502 | 450 mm        | VS ENVI® Space XX, 2 bins | 2x35 litres |

Cabinet dimension

Product dimension





VS ENVI® Kick

# VS ENVI® Kick

KICK TO OPEN.

---

A system for a soft and comfortable opening of all front pull-outs such as the VS ENVI Space. The ergonomically and pleasantly designed step, opens the waste bin system fully with little effort. The opening mechanism returns automatically to its starting position.

## DETAILS

- Simple and hands-free door opening using foot pedal
- Minimum plinth height: 70 mm
- For all front pull-outs for example VS ENVI® Space with self-closing and soft-closing
- Easy installation with installation template provided with the kit
- EasyFit: tool-free installation of bin support onto the runners
- Minimum required space under the waste bin systems or drawers
- Later installation in any pull-out system with front opening possible
- Pedal is returned to starting position by a spring
- Virtually silent
- No scratching to the front

| Art. No.   | Details               |
|------------|-----------------------|
| 503.04.950 | VS ENVI® Kick, chrome |



# ABOUT VAUTH-SAGEL

Since 1962, our name has stood for entrepreneurial independence, quality and sustainability. This makes us proud – and gives our customers confidence in having chosen the right partner.



” Sustainability?  
*Is our way of life.*

Ecology and sustainability are increasingly the foundation of our daily decisions. Together with our goal-oriented product development and a future-oriented corporate policy, conscientious behavior toward people and the environment is one of the pillars of our success. This not only includes a commitment to observing laws and regulations, but also the intention to examine every process, day by day, and to optimize them beyond these requirements. We are filled with pride to prove that an environmentally responsible implementation of processes is possible.



” *Those who work with many materials, must know many materials.*

When it comes to materials, perfection is our only standard. Whether wire, steel, sheet metal, wood or plastic – with our customized system solutions, we offer unique material expertise from a single source, resulting in a unique value-added chain. Our production in the heart of Germany, our enormous technical expertise and our commitment to always operating at the highest level in terms of process and quality give us and our customers the possibility to find new opportunities together.





” *A future always  
needs a past.*

Vauth-Sagel has successfully been in business for more than 50 years. Since the baby boomer days of the 1960's to the rediscovery of the kitchen in the 80's – we have recognized and shaped social trends. Just as long we have been a close partner to kitchen industry. Our reliability commits us to lasting quality. We consider the internationally famous expression "Made in Germany" to be a promise that we commit to every day. This is the driving force to improve our efforts every day.







# CERTIFICATE

VAUTH-SAGEL SYSTEMTECHNIK GmbH & Co. KG  
WARRANTS ALL ITS PRODUCTS SUBJECT  
TO THE TERMS AND CONDITIONS OF SALE  
WITH A

LIFETIME WARRANTY

