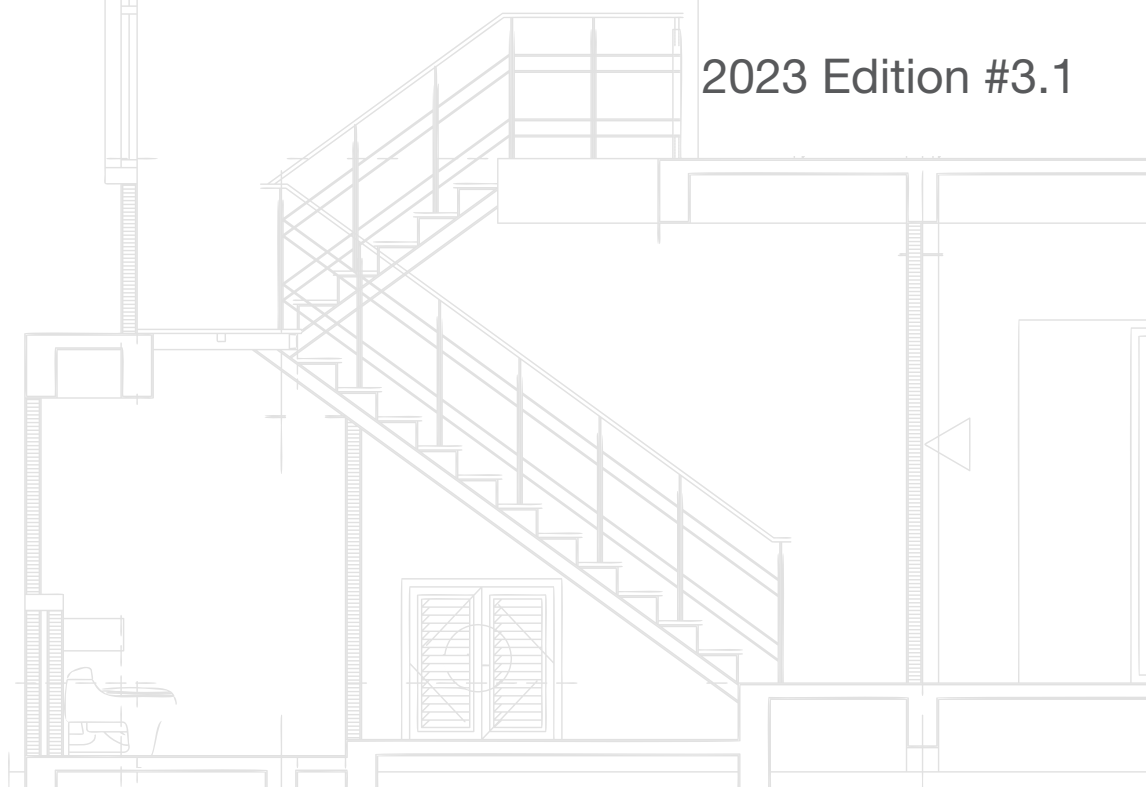


# ARCHITECTURAL **RAILING** FITTINGS



2023 Edition #3.1





Ozone continues with the concept of "Total Vision" to create transparent & elegant commercial spaces. Every fitting in our architectural glass hardware range is designed to meet the concept of "Total Vision".

Ozone, a leading name in architectural hardware domain, offers high quality architectural hardware & safety solutions worldwide. It has achieved many accolades internationally for its innovative and technologically advanced products and solutions. Its manufacturing capability enables it to offer turnkey projects of all sizes. The design team includes architects, product designers & structural engineers who innovate and support the customers and project managers. Offering more than 3000 products from its portfolio intelligently divided into 09 broad categories based on application. Ozone has been continuously innovating to offer best solutions complying with international norms of safety & quality.

### Manufacturing Capability

Our state-of-the-art manufacturing units located in India and overseas enable us to provide Standard and Customized Architectural Hardware & Infrastructural Solutions in Stainless Steel.

Our strengths are:

- Over 20 years extensive experience of operating in Architectural Hardware Industry and Digital Safes
- Dedicated and technically experienced team
- Advanced automated machines & tools
- Ability to undertake OEM & ODM projects
- In-house R & D set-up for offering right mix of design, cost, quality and delivery
- Project support & customer service team



CNC Laser Cutting Machine

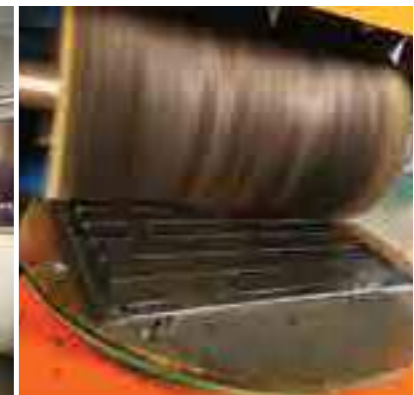


### AUTOMATED STATE-OF-THE-ART Manufacturing Facility

Our manufacturing units are equipped with the latest and technologically advanced machines. These comprise CNC laser cutting machine, CNC water jet cutting machine, CNC shearing machine, robotic welding & automatic polishing machines that enable us to manufacture all types of hardware fittings in stainless steel material and finish, standard as well as customized, as per international safety & quality norms.



VMC (Vertical Machine Center)



Polishing Machine



CNC Punching Machine



Welding Centre

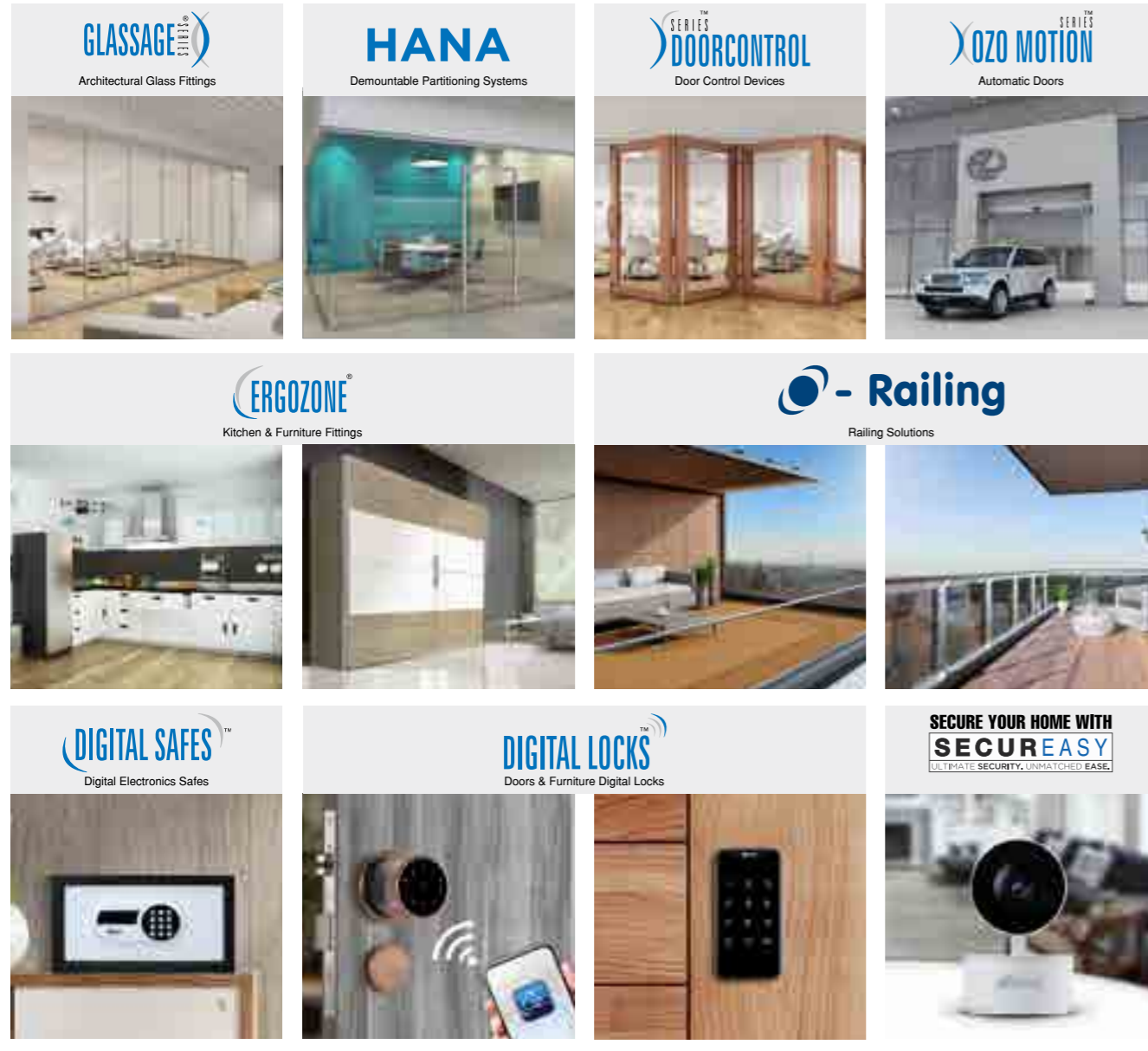


Scan QR Code for Manufacturing Facility

**Location:**  
Kala Amb  
Himachal Pradesh  
India

## Our Product Range

For over two decades, Ozone has offered Architectural Hardware Solutions with a diversified portfolio of more than 5000 products. These products are tested and certified internationally for quality, functionality, and performance.



Ozone has partnered with **KUBIK** to create India's most extensive range of Complete Partitioning Solutions for Homes, Offices, Banquets, Schools, and similar establishments. The new entity is named **KUBOZ Arc Private Limited**.



# INDEX

Stand-off Systems	6-09
Spigot Systems	10-14
Mini Balusters	15-17
Clear Line Systems	18-25
Railing Accessories	27-38
Standard Balusters	39-47
Project & Customization	48-54
Exhibitions & Certifications	55





# STAND-OFF SYSTEMS

## Code Nomenclature for Different Colour Finish Product

Product Code	Color	Final Product Code
OZRSO-11-38X50	PSS	OZRSO-11-38x50-PSS

Note: Nomenclature shall be applicable on different finishes (PSS, BM, NW, PBM, PBP, PGM, PGP, PRGM, PRGP) only to drive final product code, these finishes are available on request only, please contact customer care for the availability of different finishes. SSS is the default finish.



Code : SSS  
Finish : Satin (Default)



Code : PSS  
Finish : Polished



Code : BM  
Finish : Black Matt



Code : NW  
Finish : Natural Wood



Code : PBM  
Finish : PVD Black Matt



Code : PBP  
Finish : PVD Black Polish



Code : PGM  
Finish : PVD Gold Matt



Code : PGP  
Finish : PVD Gold Polish



Code : PRGM  
Finish : PVD Rose Gold Matt



Code : PRGP  
Finish : PVD Rose Gold Polish

**Notes:**

- Anchor fastener included with product is as per general usages only.
- Base Concrete should be M20 or M25 grade for fixing fastener.
- Mention glass thickness are for indicative only.
- Refer to Architect or structure consultant for specific glass & fastner specification.

**SERIES OZRSO-11**

GRADE  
SS 304

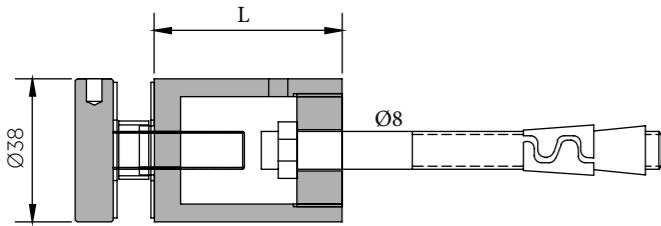
Available Finish:



Available Sizes

Product Code	Available Sizes in mm	Glass Thickness
OZRSO-11-38X50	Dia 38x50 (L)	8mm - 19mm
OZRSO-11-38X30	Dia 38x30 (L)	8mm - 13.52mm

SSS Finish  
Flat Head



**SERIES OZRSO-55**

GRADE  
SS 304

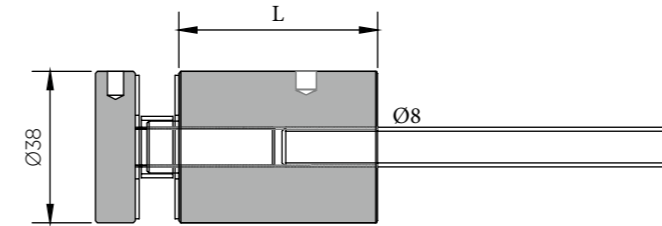
Available Finish:



Available Sizes

Product Code	Available Sizes in mm	Glass Thickness
OZRSO-55-38X50	Dia 38x50 (L)	8mm - 19mm
OZRSO-55-38X30	Dia 38x30 (L)	8mm - 13.52mm

SSS Finish  
Flat Head



**SERIES OZRSO-33**

GRADE  
SS 304

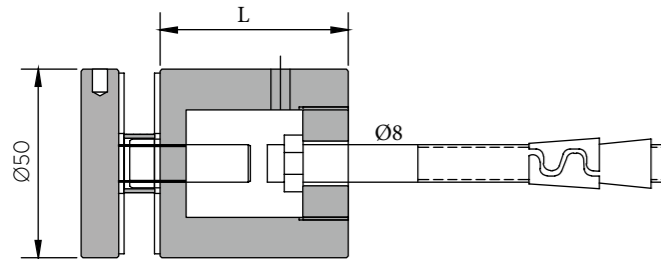
Available Finish:



Available Sizes

Product Code	Available Sizes in mm	Glass Thickness
OZRSO-33-50X50	Dia 50x50 (L)	8mm - 19mm
OZRSO-33-50X30	Dia 50x30 (L)	8mm - 13.52mm

SSS Finish  
Flat Head



**SERIES OZRSO-66**

GRADE  
SS 304

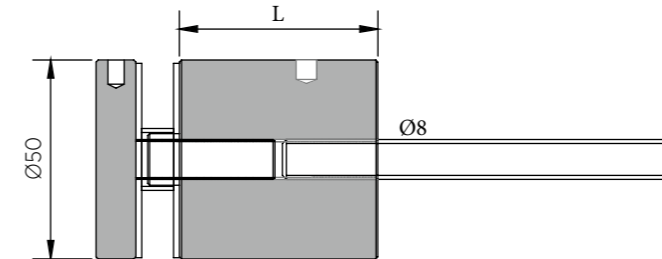
Available Finish:



Available Sizes

Product Code	Available Sizes in mm	Glass Thickness
OZRSO-66-50X50	Dia 50x50 (L)	8mm - 19mm
OZRSO-66-50X30	Dia 50x30 (L)	8mm - 13.52mm

SSS Finish  
Flat Head





# SPIGOT SYSTEMS

## Code Nomenclature for Different Colour Finish Product

Product Code	Color	Final Product Code
OZRSP-200x50	PSS	OZRSP-200X50-PSS

Note: Nomenclature shall be applicable on different finishes (PSS, BM, NW, PBM, PBP, PGM, PGP, PRGM, PRGP) only to drive final product code, these finishes are available on request only, please contact customer care for the availability of different finishes. SSS is the default finish.



Code : SSS  
Finish : Satin (Default)



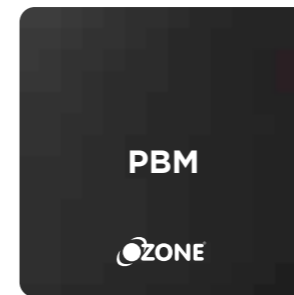
Code : PSS  
Finish : Polished



Code : BM  
Finish : Black Matt



Code : NW  
Finish : Natural Wood



Code : PBM  
Finish : PVD Black Matt



Code : PBP  
Finish : PVD Black Polish



Code : PGM  
Finish : PVD Gold Matt



Code : PGP  
Finish : PVD Gold Polish



Code : PRGM  
Finish : PVD Rose Gold Matt



Code : PRGP  
Finish : PVD Rose Gold Polish

**Notes:**

- Anchor fastener included with product is as per general usages only.
- Base Concrete should be M20 or M25 grade for fixing fastener.
- Mention glass thickness are for indicative only.
- Refer to Architect or structure consultant for specific glass & fastner specification.

**OZRSP-250X50-SC2**

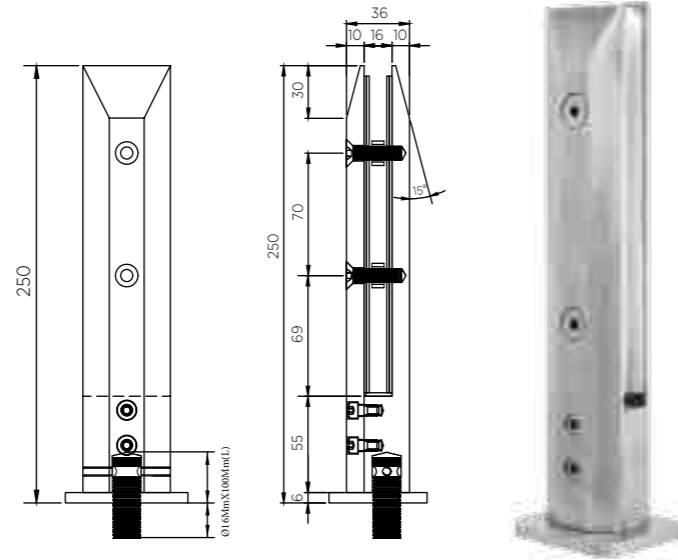
Available Finish:



Available Sizes

Available Sizes in mm	Glass Thickness
250mm(H) x 50mm(W)	10mm - 13.52mm

SS-304 Grade



**OZRSP-200X50**

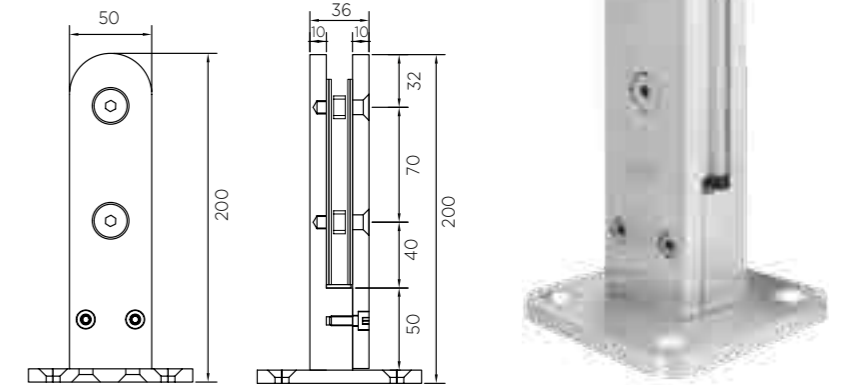
Available Finish:



Available Sizes

Available Sizes in mm	Glass Thickness
200mm(H) x 50mm(W)	10mm - 13.52mm

SS-304 Grade



**OZRSP-150X40**

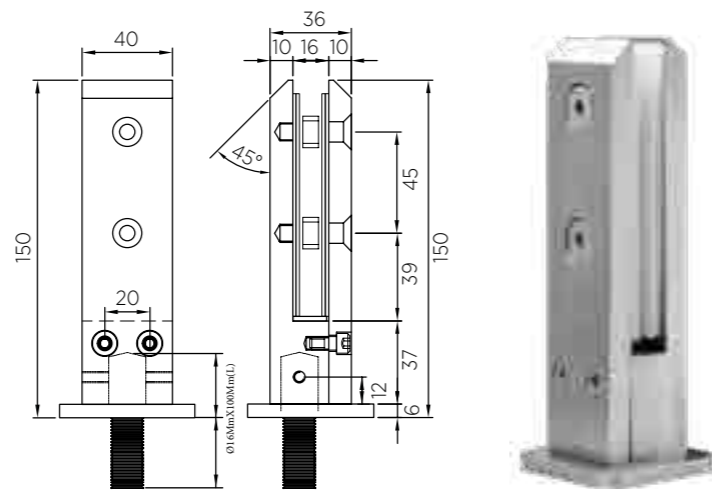
Available Finish:



Available Sizes

Available Sizes in mm	Glass Thickness
150mm(H) x 40mm(W)	10mm - 13.52mm

SS-304 Grade



**OZRSP-250X50-SC1**

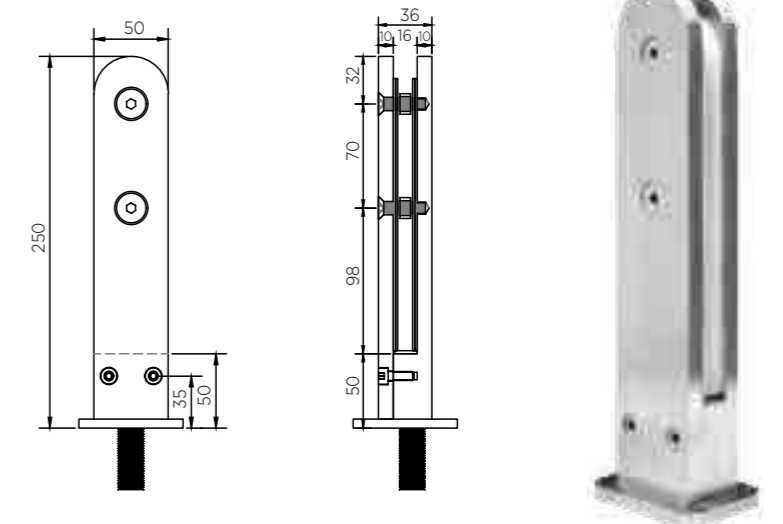
Available Finish:



Available Sizes

Available Sizes in mm	Glass Thickness
250mm(H) x 50mm(W)	10mm - 13.52mm

SS-304 Grade



**OZRSP-250X50 SC3**

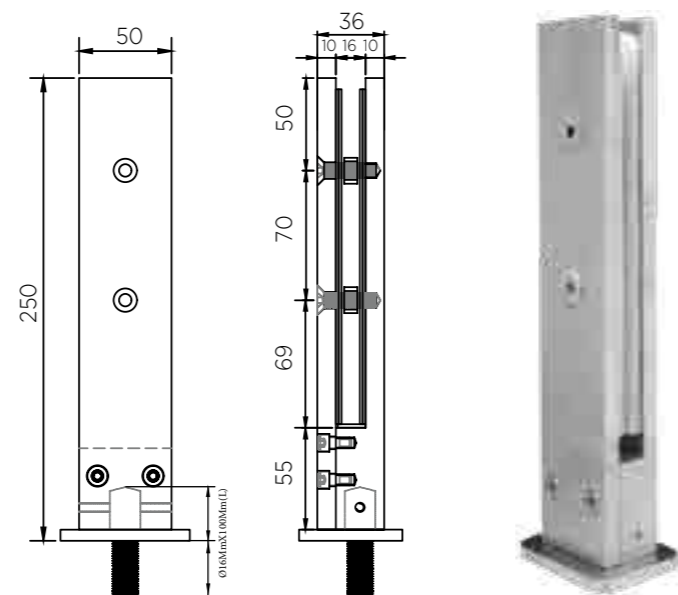
Available Finish:



Available Sizes

Available Sizes in mm	Glass Thickness
250mm(H) x 50mm(W)	10mm - 13.52mm

SS-304 Grade



**OZRSP-180X50-A**

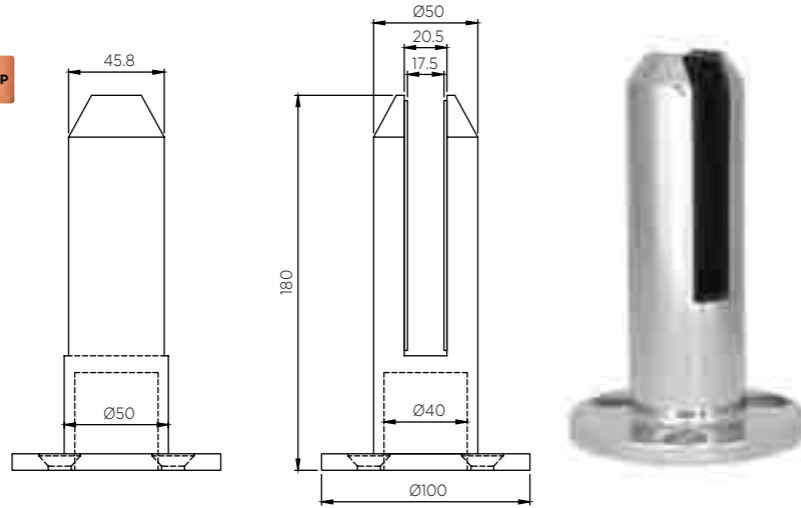
Available Finish:



Available Sizes

Available Sizes in mm	Glass Thickness
180mm(H) x 50mm (dia)	15mm - 17.50mm

SS-304 Grade  
Note: This product does not required Glass Hole



**OZRSP-180X50-B**

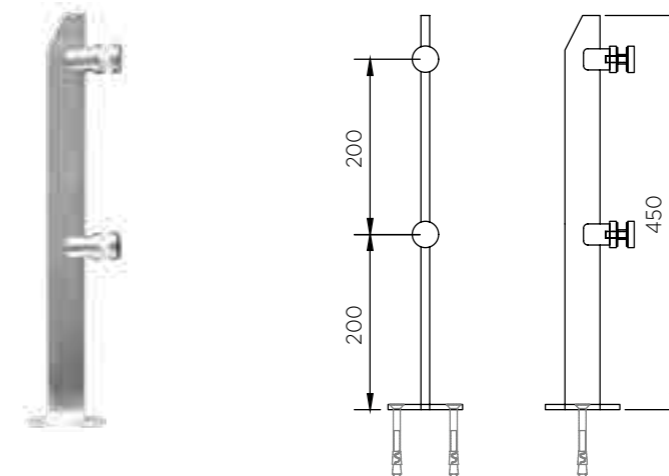
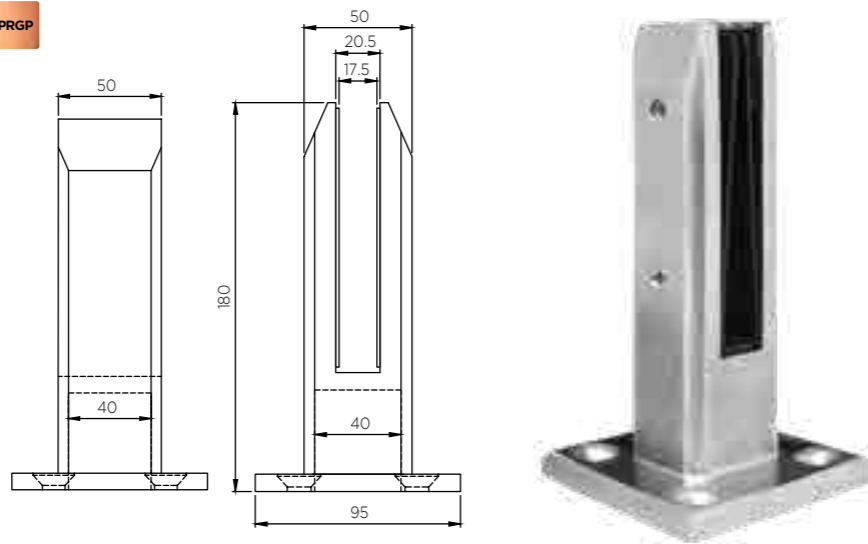
Available Finish:



Available Sizes

Available Sizes in mm	Glass Thickness
180mm(H) x 50mm(W)	15mm - 17.50mm

SS-304 Grade  
Note: This product does not required Glass Hole



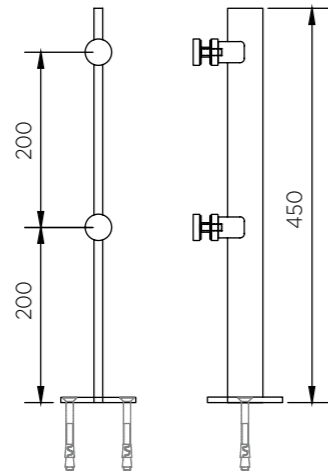
**OZRSL - 11 - DGH**

40mmX 10mm Solid Flat  
SS-304 Grade  
SSS Finish  
8Mm to 13.52Mm thick glass  
Round base plate with 2Nos. Holes

Available Finish:

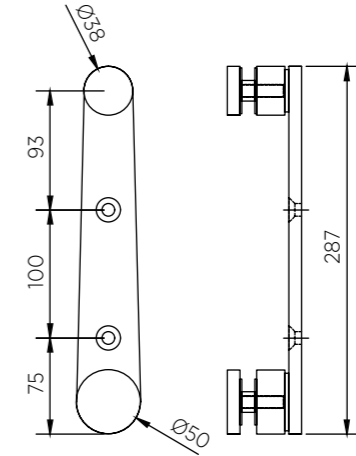




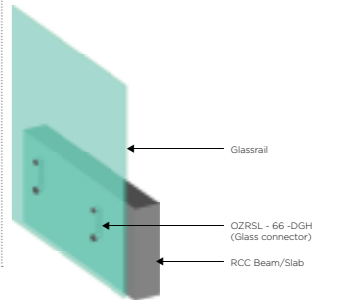


**OZRSL - 22 - DGH**  
40mmX 10mm Solid Flat  
SS-304 Grade  
SSS Finish  
8Mm to 13.52Mm thick glass  
Round base plate with 2Nos. Holes

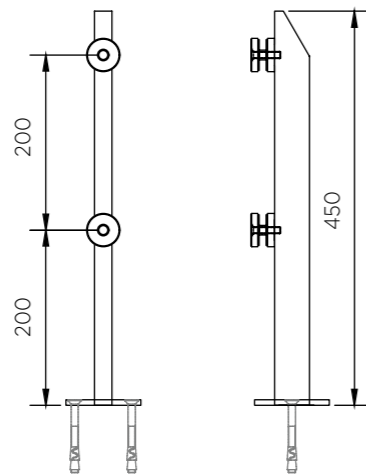
Available Finish:



**OZRSL - 66 - DGH**  
10mm Thick flat  
SSS Finish  
8Mm to 13.52Mm thick glass

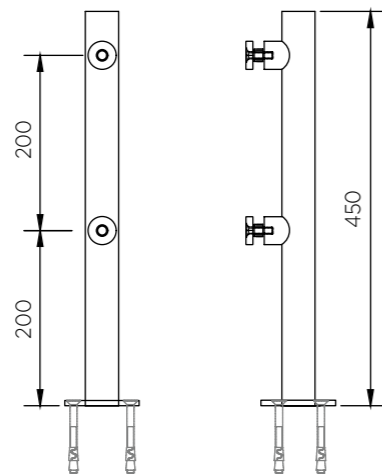


Available Finish:



**OZRSL - 44 - DGH**  
40mmX 20mmX 1.5mm thick  
SS-304 Grade  
SSS Finish  
8Mm to 13.52Mm thick glass  
Round base plate with 2Nos. Holes

Available Finish:



**OZRSL - 55 - DGH**  
Dia 38mmX 1.5mm thick  
SS-304 Grade  
SSS Finish  
8Mm to 13.52Mm thick glass  
Round base plate with 3Nos. Holes

Available Finish:



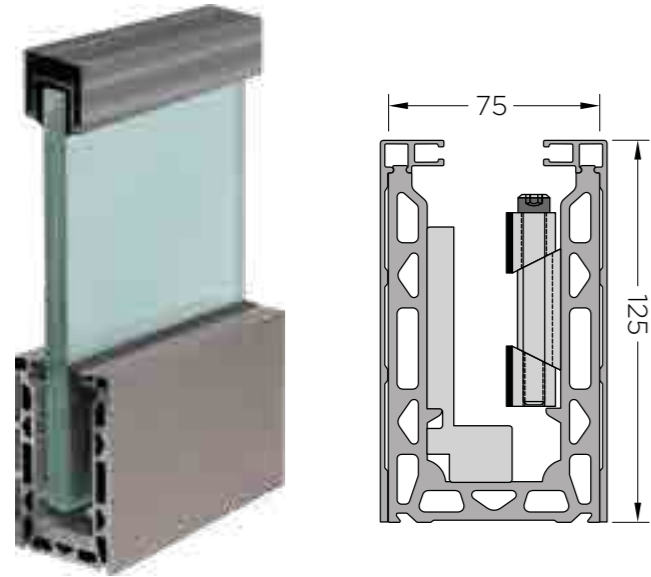
# CLEAR LINE SYSTEMS



## CLEAR LINE SYSTEMS



Contact Customer care for Wooden & Color Powder Coated Finishes.



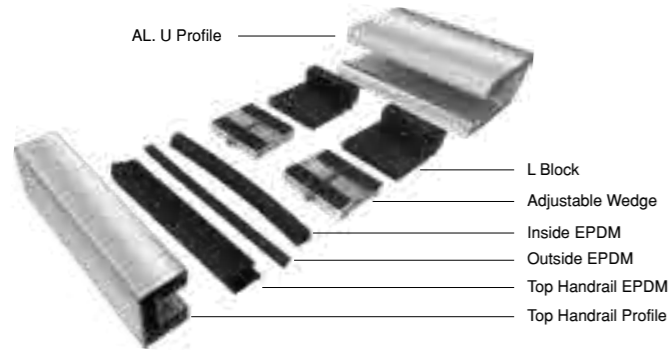
**OZRCL-125X75**

125mm(H) X 75mm(W)  
Aluminum 6063 Grade  
Anodized finish  
Standard Length 3Mtr.  
13.52Mm to 21.52Mm thick glass

Contact Customer care for Wooden & Color Powder Coated Finishes.

**Notes:**

- Glass Specification, Glass thickness and fastener should be selected as per the structural requirement, it is recommended to consultant concern Architect or structure consultant.
- It is recommended that the top Railing (slotted profile) to be fixed on top of the glass should be structurally connected with the adjacent/side walls at each end by the end tube.
- It is recommended that first install self-standing EPDM on outside then fixed EPDM inside only.



**Inclusions:**

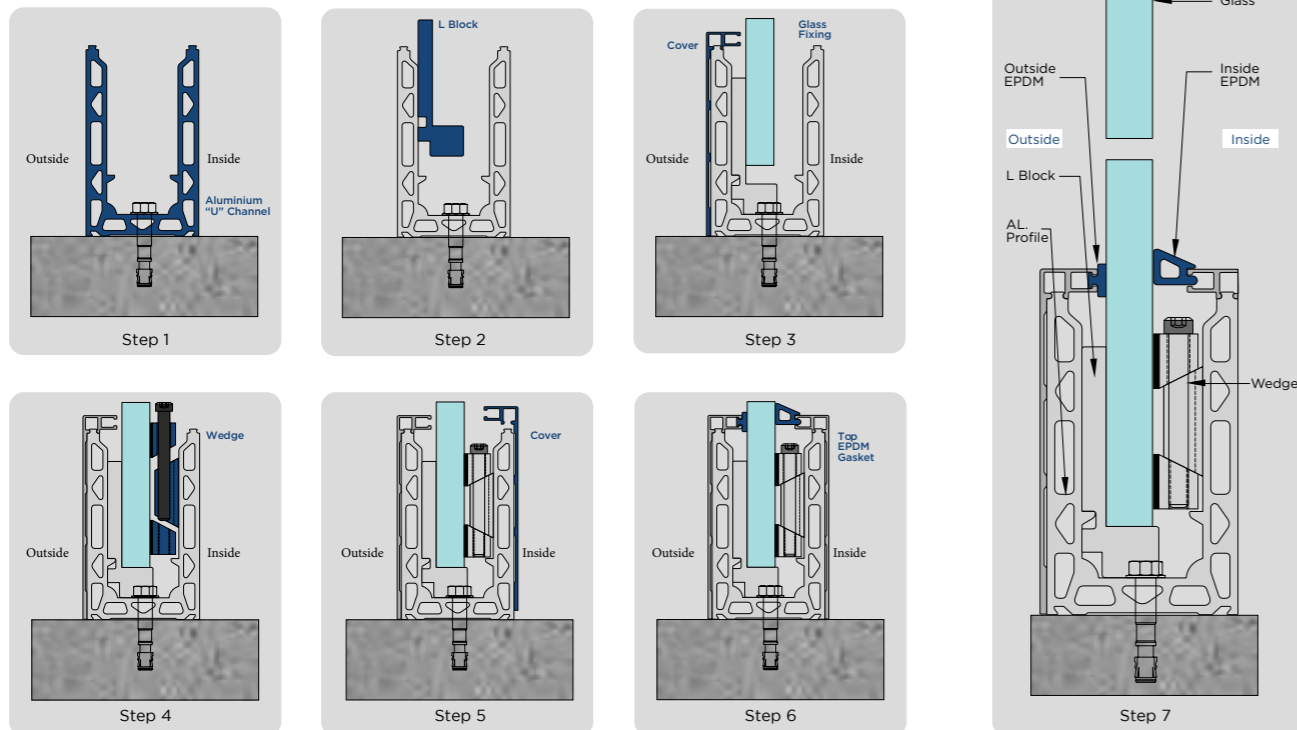
Bottom Aluminium Profile comes with Nylon L Block, Adjustable Wedge, Outside EPDM & Inside EPDM.

**Exclusions:**

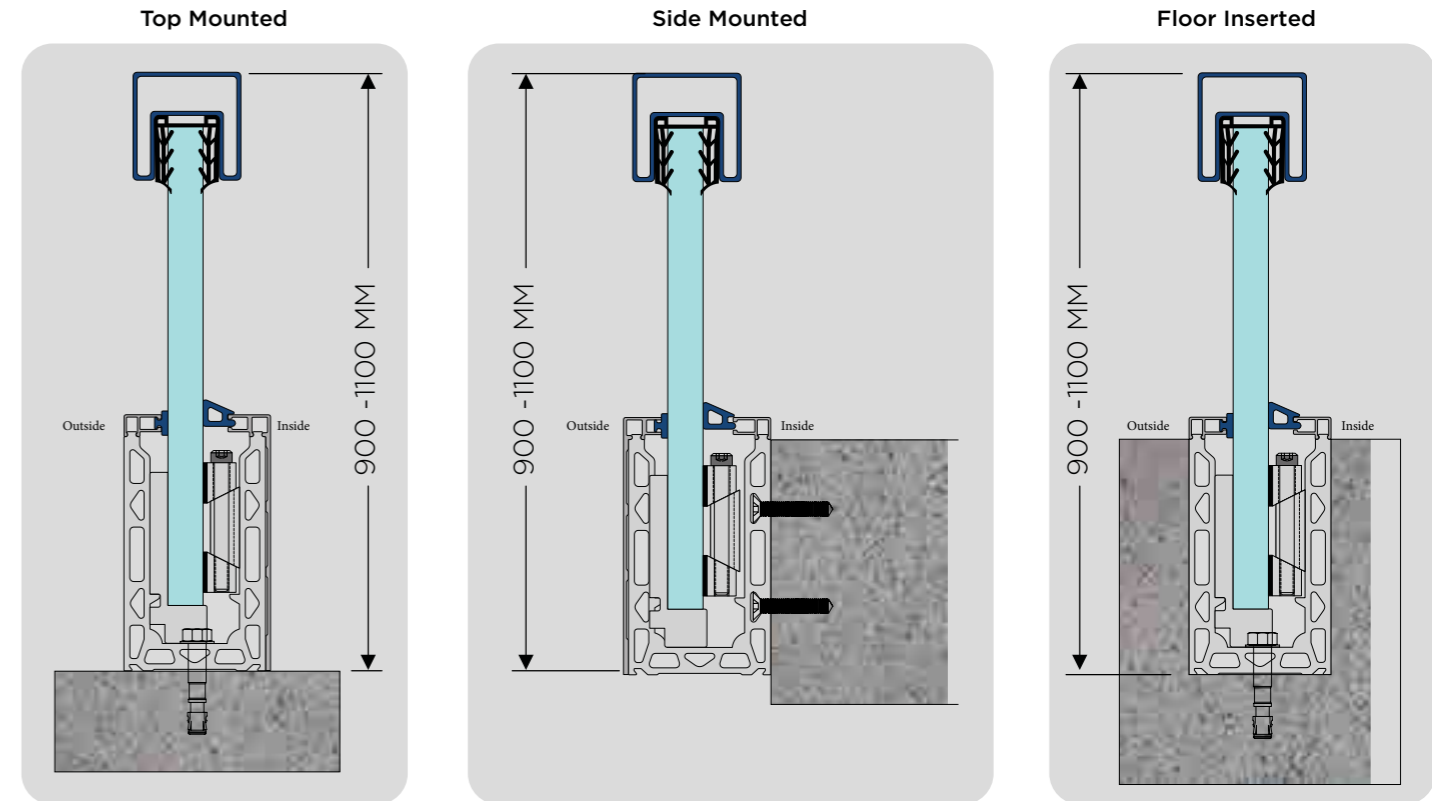
Fastner is not included.  
Top slotted profile & EPDM should be order extra as per client requireriment

**Installation Methodology**

- Step 1. Aluminium U-channel Installation
- Step 2. L-block Placing
- Step 3. Fixing of Side cover at Outside & Glass Installation
- Step 4. Adjustement of Wedge for glass fixing
- Step 5. Fixing of Side cover at inside
- Step 6. Fixing of EPDM/Gasket on Bothside
- Step 7. Fixing of Top Profile with EPDM



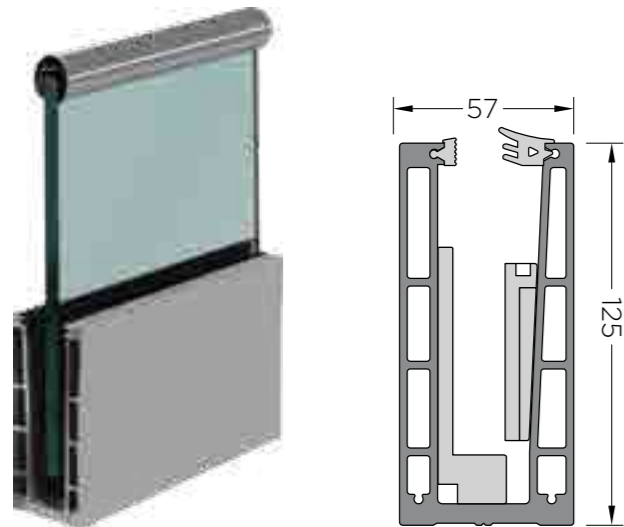
**Typical Applications**



**Notes:**

- Anchor fastener included with product is as per general usages only.
- Base Concrete should be M20 or M25 grade for fixing fastener.
- Mention glass thickness are for indicative only.
- Refer to Architect or structure consultant for specific glass & fastner specification.



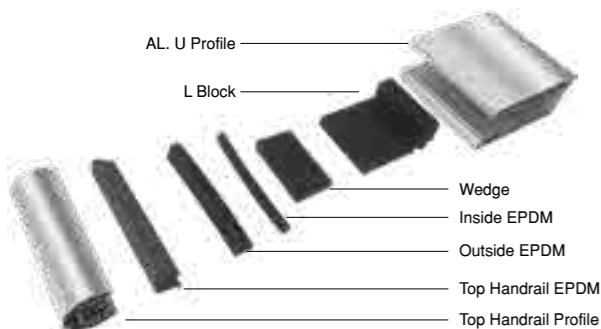


**OZRCL-125X57**  
125mm(H) X 57mm(W)  
Aluminum 6063 Grade  
Anodized finish  
Standard Length 3Mtr.  
10Mm to 15.52Mm thick glass

Contact Customer care for Wooden & Color Powder Coated Finishes.

**Notes:**

- Glass Specification, Glass thickness and fastener should be selected as per the structural requirement, it is recommended to consultant concern Architect or structure consultant.
- It is recommended that the top Railing (slotted profile) to be fixed on top of the glass should be structurally connected with the adjacent/side walls at each end by the end tube.
- It is recommended that first install self-standing EPDM on outside then fixed EPDM inside only.



**Inclusions:**

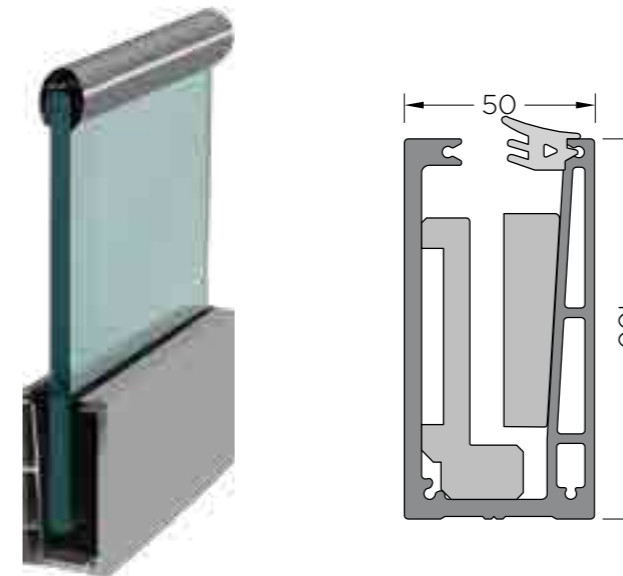
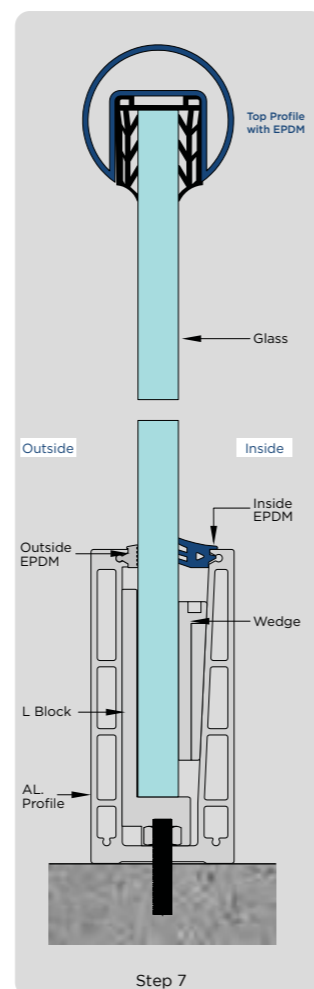
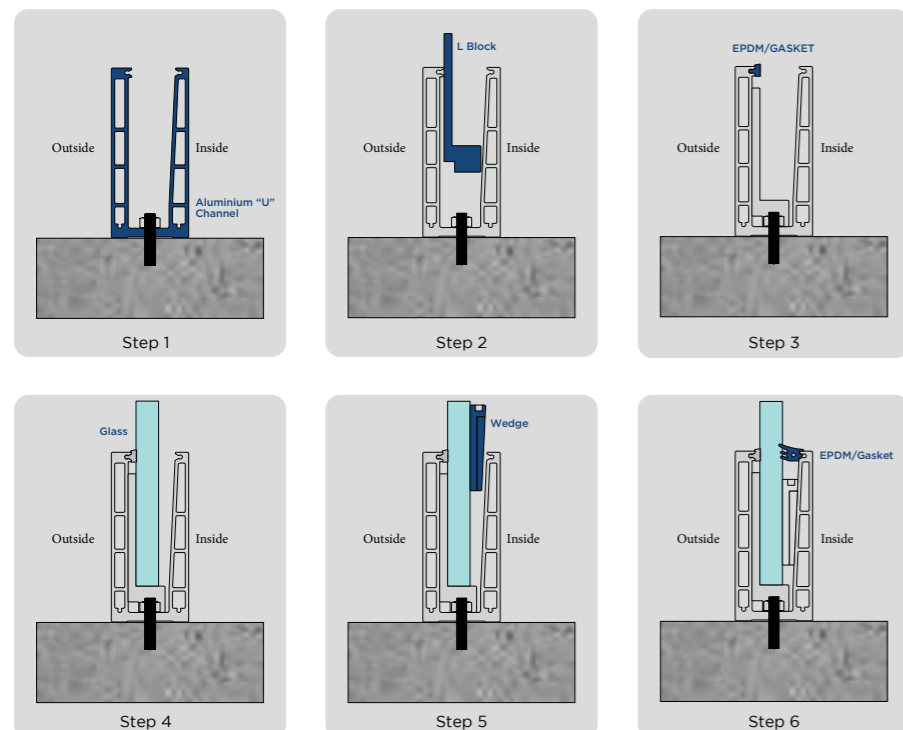
Bottom Aluminium Profile comes with Nylon L Block, Wedge, Outside EPDM & Inside EPDM.

**Exclusions:**

Fastner is not included.  
Top slotted profile & EPDM should be order extra as per client requiriement

**Installation Methodology**

- Step 1. Aluminium U-channel Installation
- Step 2. L-block Placing
- Step 3. EPDM/Gasket Placing Outer Side
- Step 4. Glass Installation
- Step 5. Wedge Installation
- Step 6. EPDM/Gasket Placing inside
- Step 7. Fixing of Top Profile with EPDM

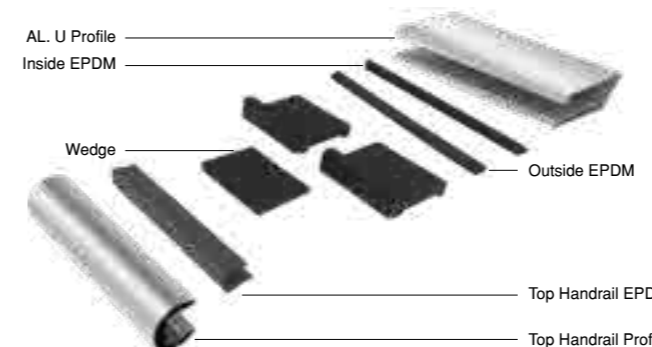


**OZRCL-100X50**  
100mm(H) X 50mm(W)  
Aluminum 6063 Grade  
Anodized finish  
Standard Length 3Mtr.  
10Mm to 12Mm thick glass

Contact Customer care for Wooden & Color Powder Coated Finishes.

**Notes:**

- Glass Specification, Glass thickness and fastener should be selected as per the structural requirement, it is recommended to consultant concern Architect or structure consultant.
- It is recommended that the top Railing (slotted profile) to be fixed on top of the glass should be structurally connected with the adjacent/side walls at each end by the end tube.
- It is recommended that first install self-standing EPDM on outside then fixed EPDM inside only.



**Inclusions:**

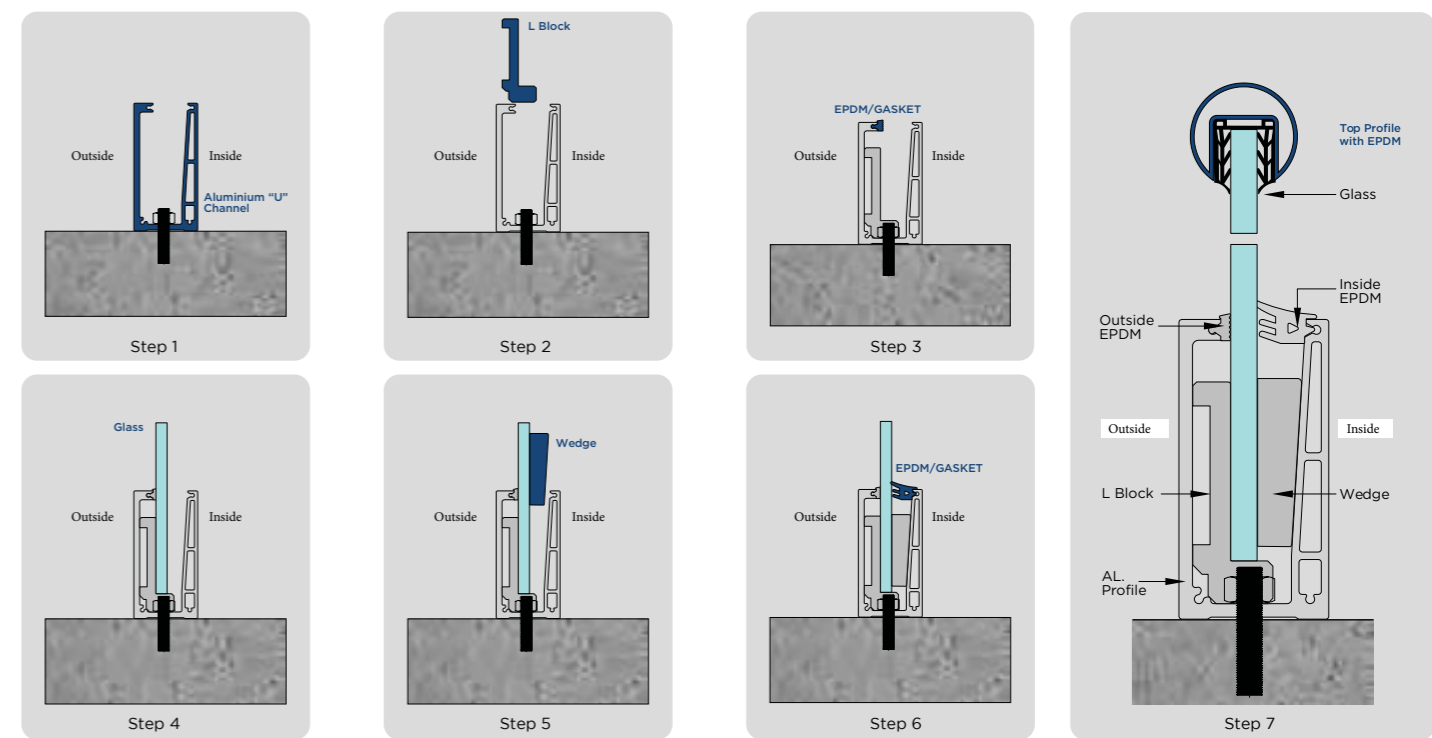
Bottom Aluminium Profile comes with Nylon L Block, Wedge, Outside EPDM & Inside EPDM.

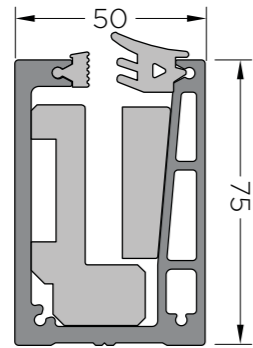
**Exclusions:**

Fastner is not included.  
Top slotted profile & EPDM should be order extra as per client requiriement

**Installation Methodology**

- Step 1. Aluminium U-channel Installation
- Step 2. L-block Placing
- Step 3. EPDM/Gasket Placing Outer Side
- Step 4. Glass Installation
- Step 5. Wedge Installation
- Step 6. EPDM/Gasket Placing inside
- Step 7. Fixing of Top Profile with EPDM



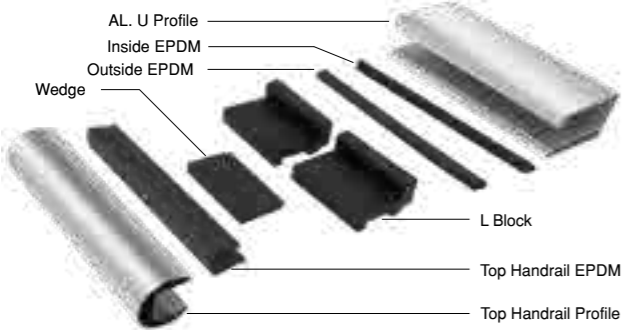


**OZRCL-75X50**  
75mm(H) X 50mm(W)  
Aluminum 6063 Grade  
Anodized finish  
Standard Length 3Mtr.  
10mm to 12mm thick glass

Contact Customer care for Wooden & Color Powder Coated Finishes.

**Notes:**

- Glass Specification, Glass thickness and fastener should be selected as per the structural requirement, it is recommended to consultant concern Architect or structure consultant.
- It is recommended that the top Railing (slotted profile) to be fixed on top of the glass should be structurally connected with the adjacent/side walls at each end by the end tube.
- It is recommended that first install self-standing EPDM on outside then fixed EPDM inside only.



**Inclusions:**

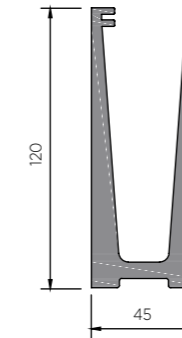
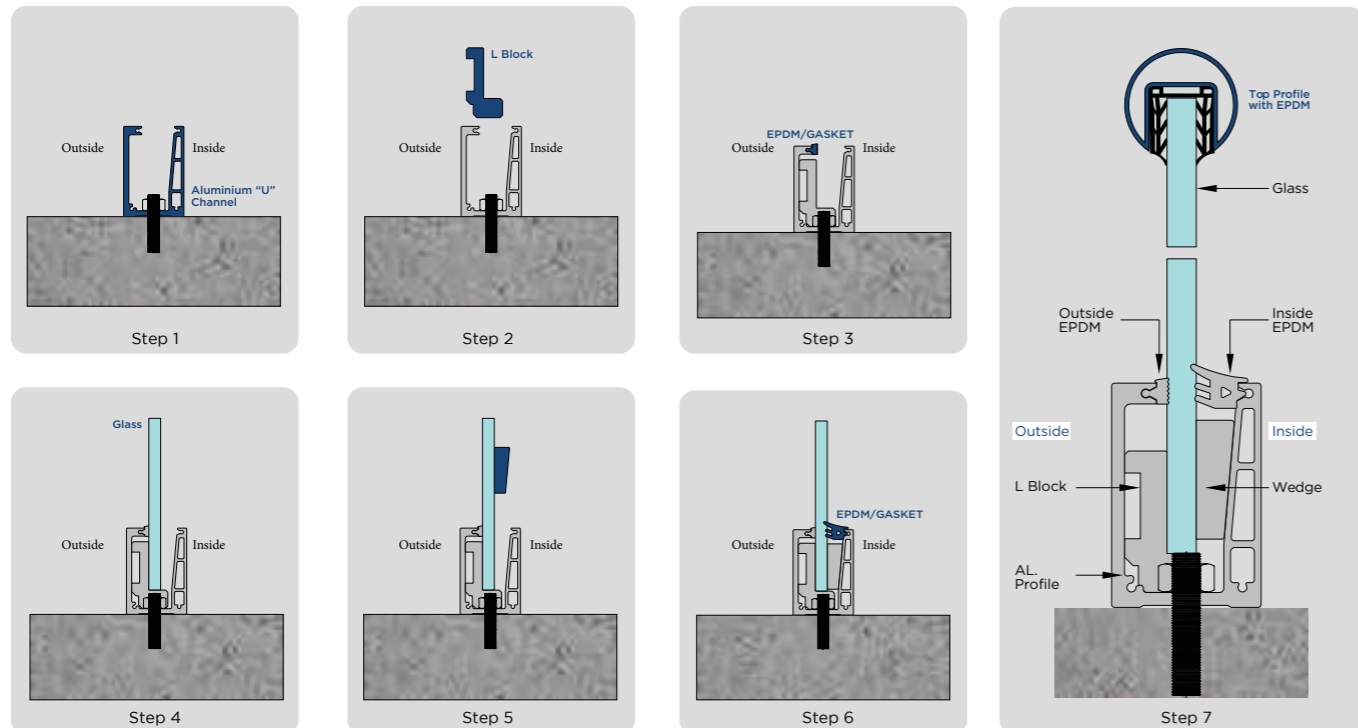
Bottom Aluminium Profile comes with Nylon L Block, Wedge, Outside EPDM & Inside EPDM.

**Exclusions:**

Fastner is not included.  
Top slotted profile & EPDM should be order extra as per client requirement

**Installation Methodology**

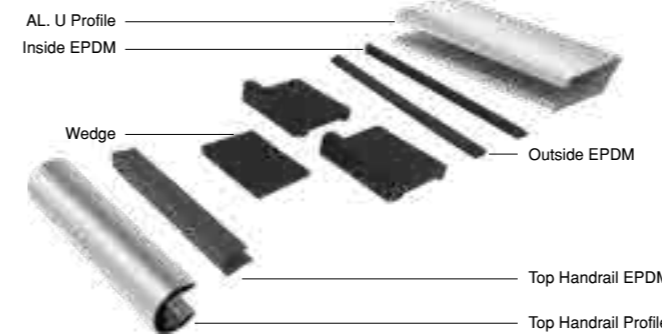
- Step 1. Aluminium U-channel Installation
- Step 2. L-block Placing
- Step 3. EPDM/Gasket Placing Outer Side
- Step 4. Glass Installation
- Step 5. Wedge Installation
- Step 6. EPDM/Gasket Placing inside
- Step 7. Fixing of Top Profile with EPDM



**OZRCL-120X45**  
120mm(H) X 45mm(W)  
Aluminum 6063 Grade  
Standard Length 3Mtr.  
Anodized finish

**Notes:**

- Glass Specification, Glass thickness and fastener should be selected as per the structural requirement, it is recommended to consultant concern Architect or structure consultant.
- It is recommended that the top Railing (slotted profile) to be fixed on top of the glass should be structurally connected with the adjacent/side walls at each end by the end tube.
- It is recommended that first install self-standing EPDM on outside then fixed EPDM inside only.



**Inclusions:**

Bottom Aluminium Profile comes with Nylon L Block, Wedge, Outside EPDM & Inside EPDM.

**Exclusions:**

Fastner is not included.  
Top slotted profile & EPDM should be order extra as per client requirement

New Clear line Aluminium Profile has been tested in Top & Side Mounted position.



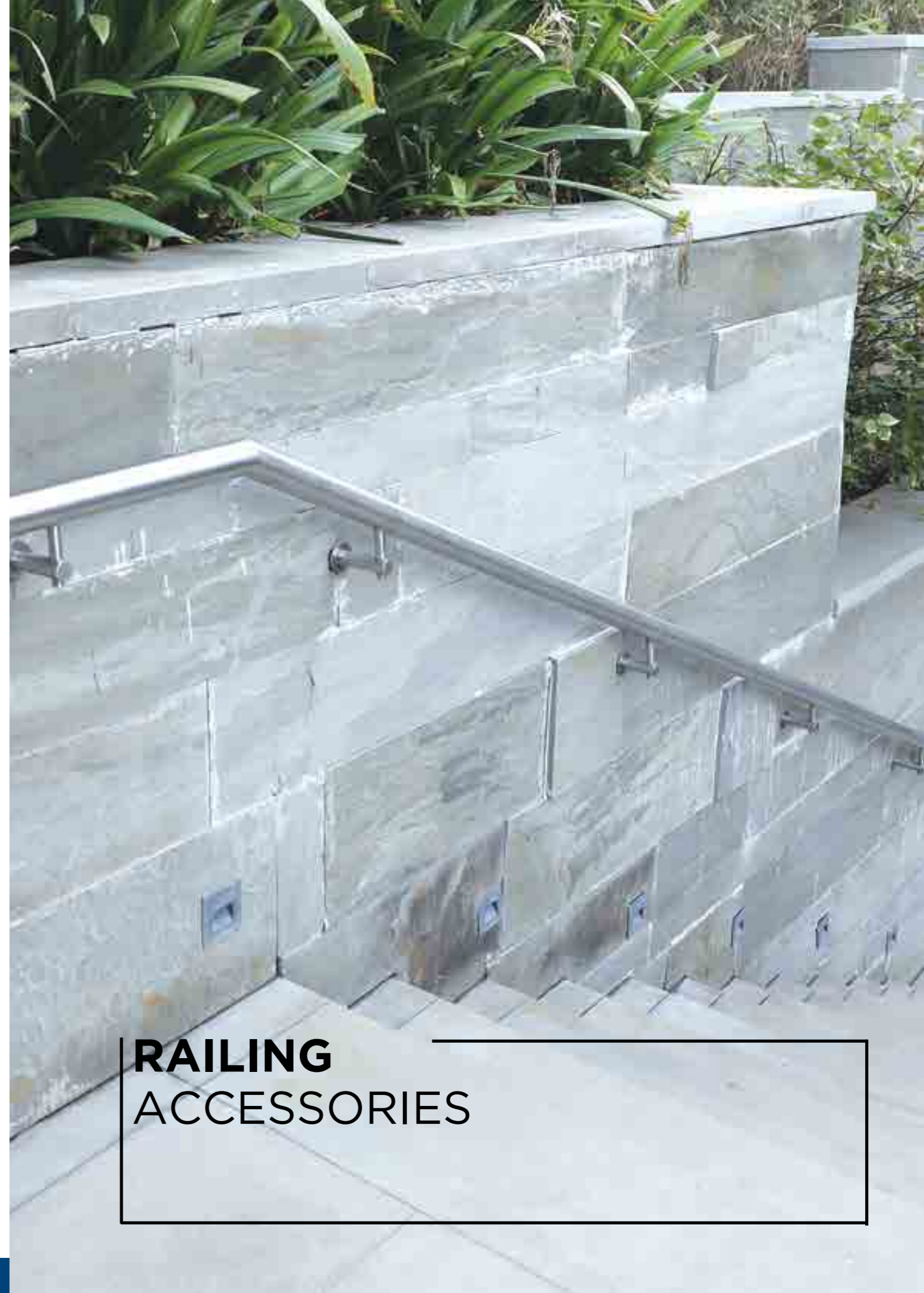
Testing Images  
New Clear Line System Top mounted



Mesurment of Glass Thickness  
Load & Pressure



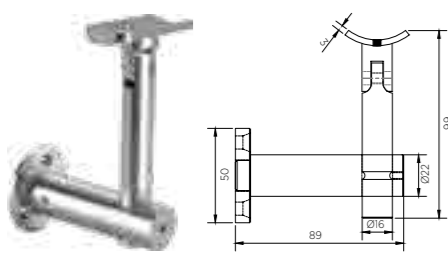
Testing Images  
New Clear Line System Side mounted



# RAILING ACCESSORIES

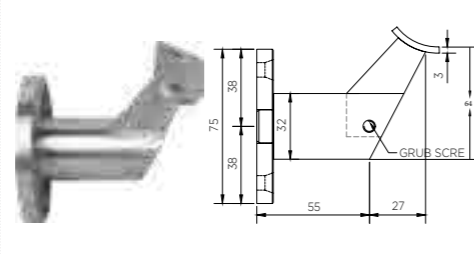


Wall to Handrail connector



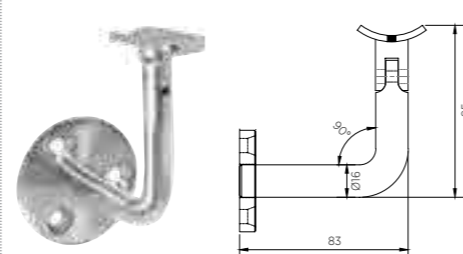
**OZRAC - 11 - WH**

Dia 22mm & 16mm (Rod)  
SS-304 Grade  
SSS Finish  
For 50mm Dia Pipe



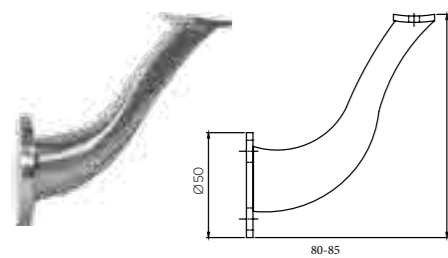
**OZRAC - 22 - WH**

Dia 32mm (Solid Rod)  
SS-304 Grade  
SSS Finish  
For 50mm Dia Pipe



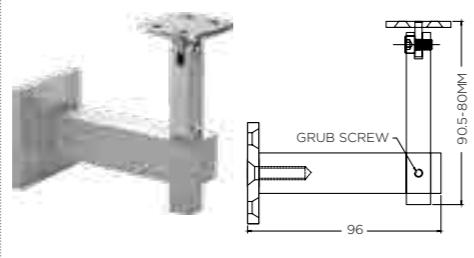
**OZRAC - 33 - WH**

Dia 16mm (Solid Rod)  
SS-304 Grade  
SSS Finish  
For 50mm Dia Pipe



**OZRAC - 44 - WH**

Casted wall to hand rail connector  
SS-304 Grade  
SSS Finish  
For Round Hand Rail



**OZRAC - 55 - WH**

20x20mm (Solid Rod)  
SS-304 Grade  
SSS Finish  
For Square Handrail

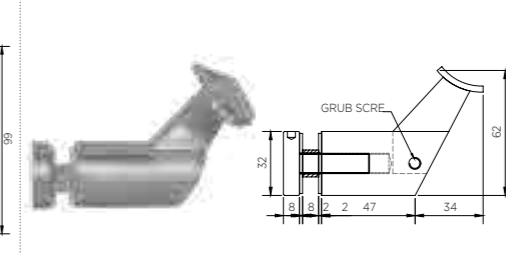


Glass to Handrail connector



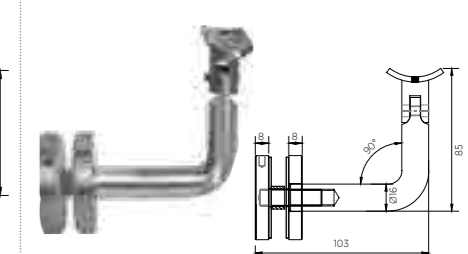
**OZRAC - 11 - GH**

Dia 22mm & 16mm (Rod)  
SS-304 Grade  
SSS Finish  
For 50mm Dia Pipe



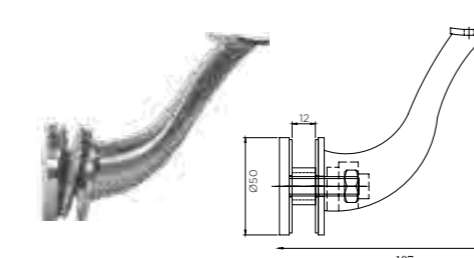
**OZRAC - 22 - GH**

Dia 32mm (Solid Rod)  
SS-304 Grade  
SSS Finish  
For 50mm Dia Pipe



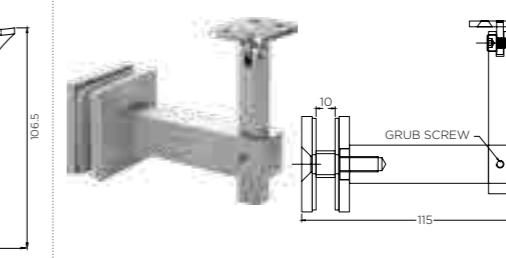
**OZRAC - 33 - GH**

Dia 16mm (Solid Rod)  
SS-304 Grade  
SSS Finish  
For 50mm Dia Pipe



**OZRAC-44-GH**

Casted glass to hand rail connector  
SS-304 Grade  
SSS Finish  
For Round Hand Rail



**OZRAC - 55 - GH**

20x20mm (Solid Rod)  
SS-304 Grade  
SSS Finish  
For Square Handrail

**Top Handrail Profile(Stainless Steel)**



**OZRAC - TB - 50**

Dia 50mmX1.5mm thick  
Standard Length 3Mtr.  
SS-304 Grade  
SSS Finish



**OZRAC - TB - 12**

Dia 12mmX1.5mm thick  
Standard Length 3Mtr.  
SS-304 Grade  
SSS Finish



**OZRAC - UTB - 60X40**

60mm x 40mm with 24mm x 24mm Groove  
Standard Length 3Mtr.  
SS-304 Grade  
SSS Finish



**OZRAC - TB - 40X40**

40 x 40 x 1.5mm thick  
Standard Length 3Mtr.  
SS-304 Grade  
SSS Finish



**OZRAC - TB - 42**

Dia 42mmX1.5mm thick  
Standard Length 3Mtr.  
SS-304 Grade  
SSS Finish



**OZRAC - UTB - 40X40**

40mm x 40mm with 24mm x 24mm Groove  
Standard Length 3Mtr.  
SS-304 Grade  
SSS Finish



**OZRAC - UTB - 42**

Dia 42mm x 1.5mm thick with 24mm x 24mm Groove  
Standard Length 3Mtr.  
SS-304 Grade  
SSS Finish



**OZRAC - UC - 12 - 13.5**

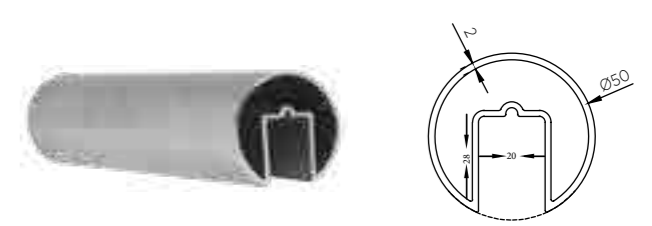
19 x 24 x 1.5mm thick  
Standard Length 2.4Mtr.  
SS-304 Grade  
SSS Finish

**Aluminium Handrail Profiles**



**OZRAC-UTB-40X40-AL**

40mm X 40mm X 1.5mm thick Aluminium Groove Pipe  
Aluminium 6063 Grade  
Anodized Finish



**OZRAC-UTB-50-AL**

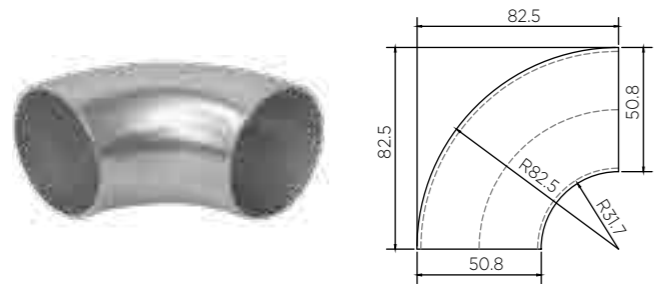
Dia 50mm x 2mm thick Aluminium Groove Pipe  
Aluminium 6063 Grade  
Anodized Finish





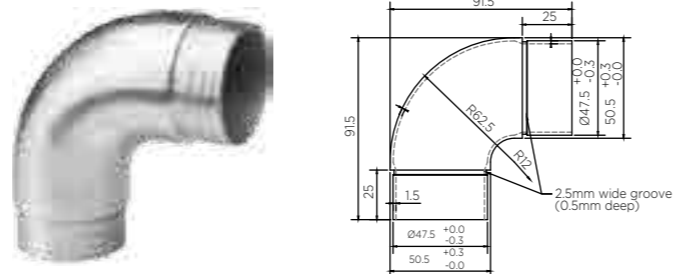


**Elbow**



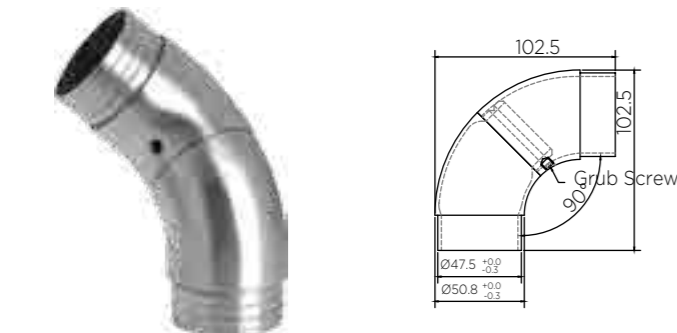
**OZRAC - EB - 50A**

For 50mm dia pipe  
SS-304 Grade  
Weld joint  
SSS Finish



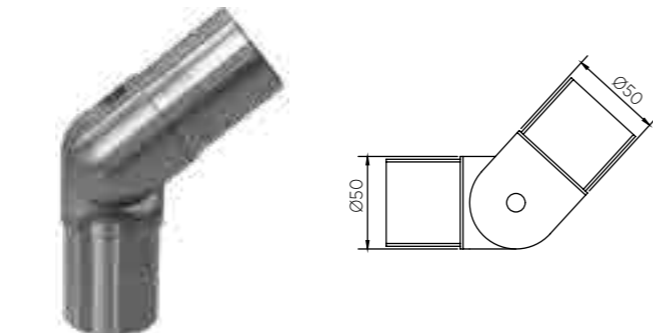
**OZRAC - EB - 50B**

For 50mm dia pipe  
SS-304 Grade  
Weld joint  
SSS Finish



**OZRAC - EB - 50C**

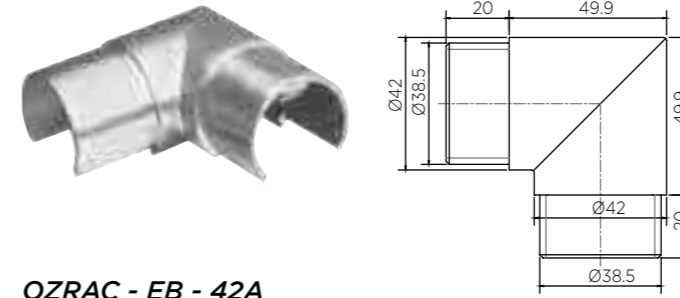
For 50mm dia pipe  
SS-304 Grade  
Adjustable Push Fit Joint  
SSS Finish



**OZRAC - EB - 50D**

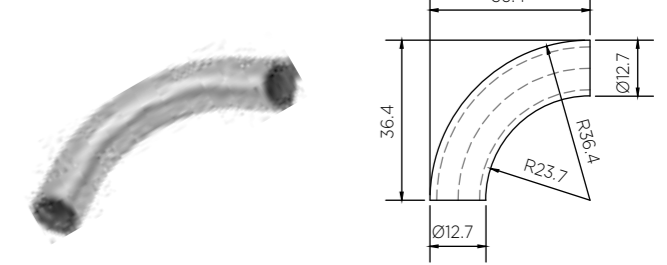
For 50mm dia pipe  
SS-304 Grade  
Adjustable Push Fit Joint  
SSS Finish

**Elbow**



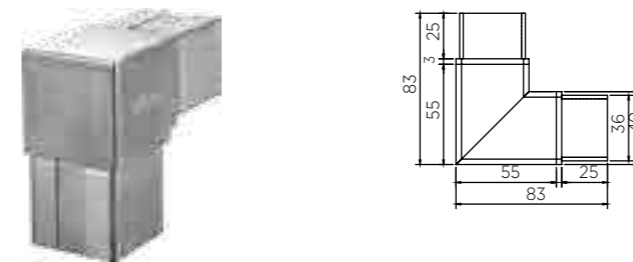
**OZRAC - EB - 42A**

For Dia 42mm pipe  
SS-304 Grade  
SSS Finish  
Push Fit Joint



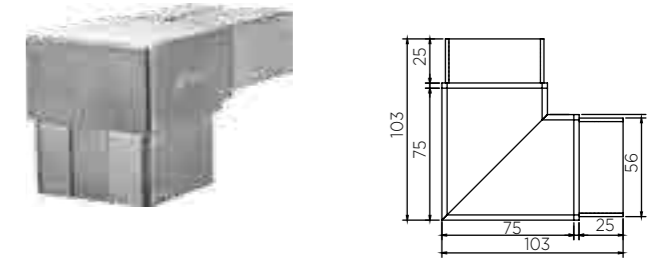
**OZRAC - EB - 12A**

For Dia 12 mm Pipe  
SS-304 Grade  
SSS Finish  
Weld Joint



**OZRAC - EB - 40X40B**

For 40 x 40mm Tube  
SS-304 Grade  
SSS Finish  
Push Fit Joint



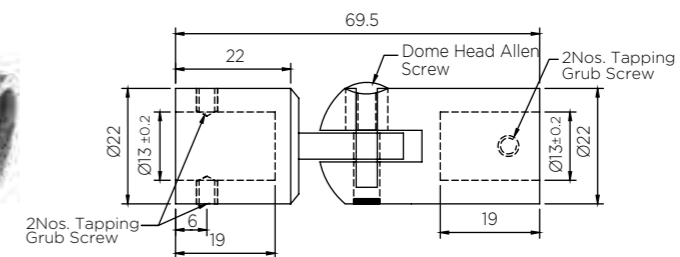
**OZRAC - EB - 60X40B**

For 60 x 40mm Tube  
SS-304 Grade  
SSS Finish  
Push Fit Joint

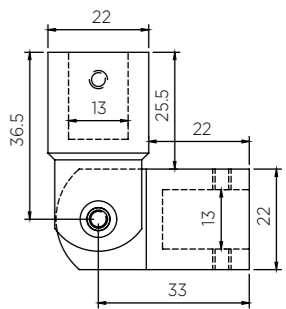


**OZRAC - EB - 12B**

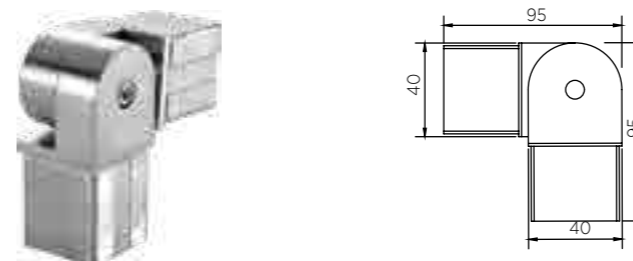
For Dia 12 mm Pipe  
SS-304 Grade  
SSS Finish  
Adjustable Push Fit Joint



AT 180 DEGREE OPENING

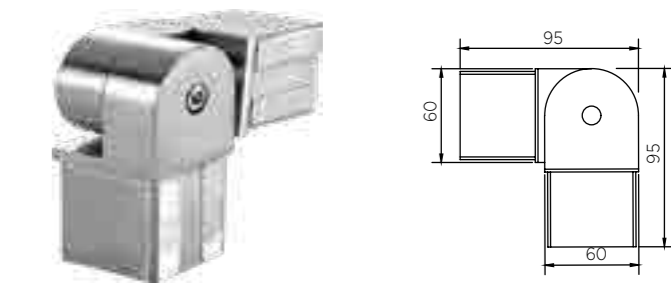


AT 90 DEGREE OPENING



**OZRAC - EB - 40X40A**

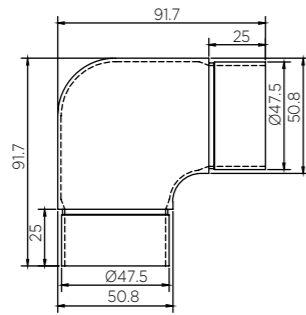
For 40 x 40mm Tube  
SS-304 Grade  
SSS Finish  
Adjustable Push Fit Joint



**OZRAC - EB - 60X40A**

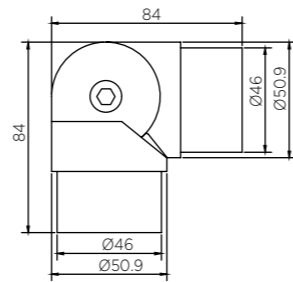
For 60 x 40mm Tube  
SS-304 Grade  
SSS Finish  
Adjustable Push Fit Joint

**Elbow**



**OZRAC-EB-50E**

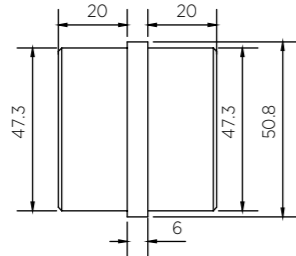
For 50.8 mm Dia pipe  
SS-304 Grade  
SSS Finish



**OZRAC-EB-50F**

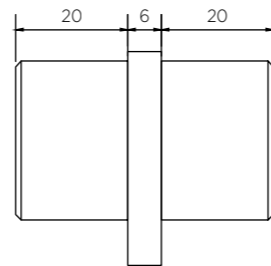
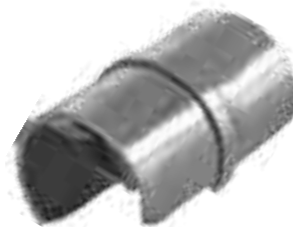
For 50.8 mm Dia pipe  
SS-304 Grade  
SSS Finish  
Adjustable Push fit joint

**Tube Joiner**



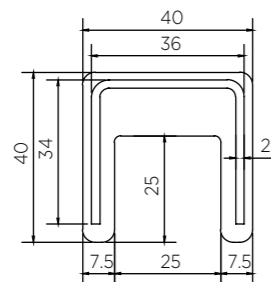
**OZRAC-JO-50A**

SS-304 Grade  
SSS Finish  
For Dia 50X1.5mm thick pipe



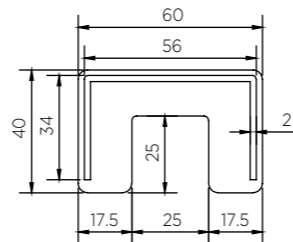
**OZRAC-JO-42**

SS-304 Grade  
SSS Finish  
For Dia 42X1.5mm thick pipe



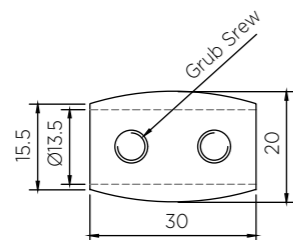
**OZRAC-JO-40X40**

SS-304 Grade  
SSS Finish  
For 40x40x1.5mm thick tube



**OZRAC-JO-60X40**

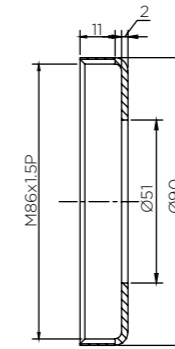
SS-304 Grade  
SSS Finish  
For 60x40x1.5mm thick tube



**OZRAC-JO-12A**

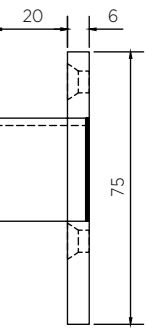
SS-304 Grade  
SSS Finish  
For Dia 12x1.5mm thick pipe

**Wall End Plate**



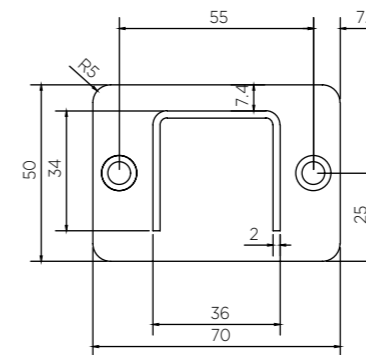
**OZRAC-WC-50A**

Wall End Cap  
SS-304 Grade  
SSS Finish  
For dia 50mm pipe



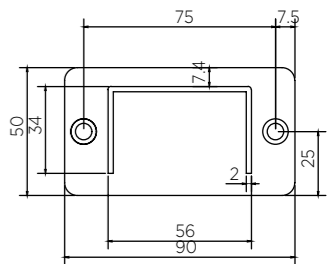
**OZRAC-WC-42**

Wall End Cap  
SS-304 Grade  
SSS Finish  
For dia 42mmX1.5mm pipe



**OZRAC-WC-40X40**

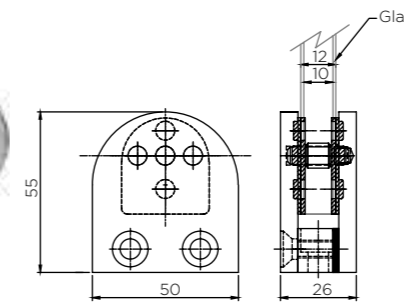
Wall End Cap  
SS-304 Grade  
SSS Finish  
For 40X40X1.5mm thick tube



**OZRAC-WC-60X40**

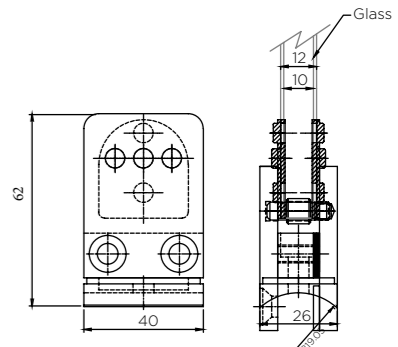
Wall End Cap  
SS-304 Grade  
SSS Finish  
For 60X40X1.5mm thick tube

**Glass Holder Clamp**



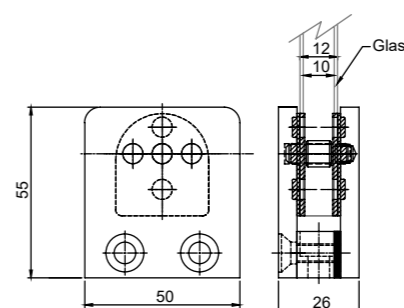
**OZRAC-GC-B1**

Square Edge Glass Clamp (Big)  
SS-304 Grade  
SSS Finish  
For Flat Surface & 10mm to 12mm thick glass



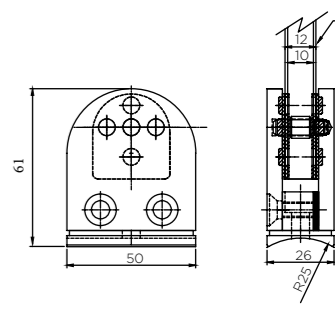
**OZRAC-GC-S4**

Round Edge Glass Clamp (Small)  
SS-304 Grade  
SSS Finish  
For Dia 38mm Pipe & 10mm to 12mm thick glass



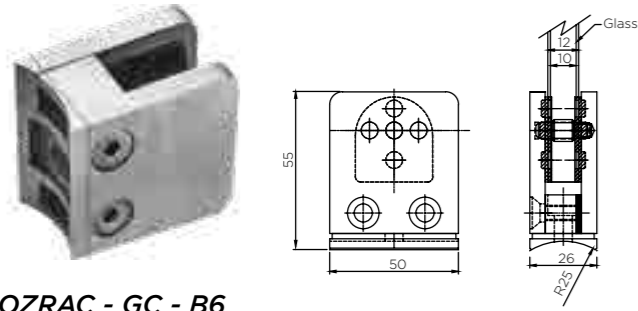
**OZRAC-GC-B2**

Square Edge Glass Clamp (Big)  
SS-304 Grade  
SSS Finish  
For Flat Surface & 10mm to 12mm thick glass



**OZRAC-GC-B5**

Round Edge Glass Clamp (Big)  
SS-304 Grade  
SSS Finish  
For Dia 50mm Pipe & 10mm to 12mm thick glass

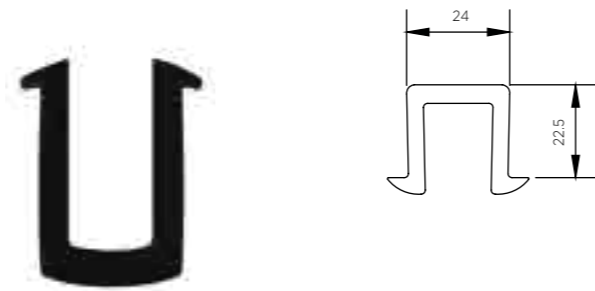


**OZRAC - GC - B6**  
Round Edge Glass Clamp (Big)  
SS-304 Grade  
SSS Finish  
For Dia 50mm Pipe & 10mm to 12mm thick glass

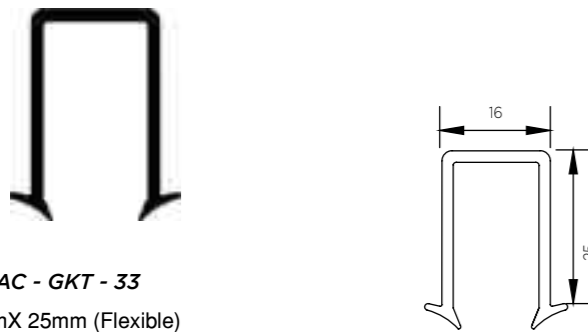
**EPDM Profiles**



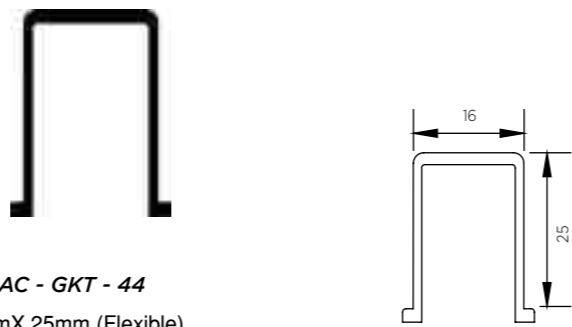
**OZRAC - GKT - 22**  
24.5mmX 25mm (Flexible)  
EPDM  
Black Color  
For 10mm thick Glass



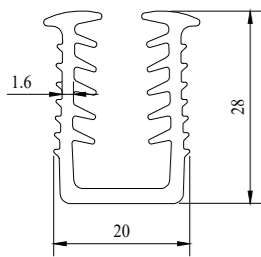
**OZRAC - GKT - 11**  
24mmX 22.5mm, (Flexible)  
EPDM  
Black Color  
For 13.52mm to 15.52mm thick Glass



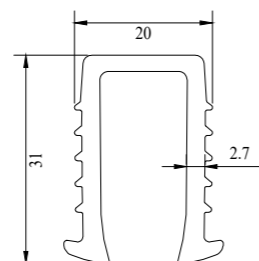
**OZRAC - GKT - 33**  
16mmX 25mm (Flexible)  
EPDM  
Black Color  
For OZRAC-UC-12-13.5 (12mm thick Glass)



**OZRAC - GKT - 44**  
16mmX 25mm (Flexible)  
EPDM  
Black Color  
For OZRAC-UC-12-13.5 (13.5mm thick Glass)

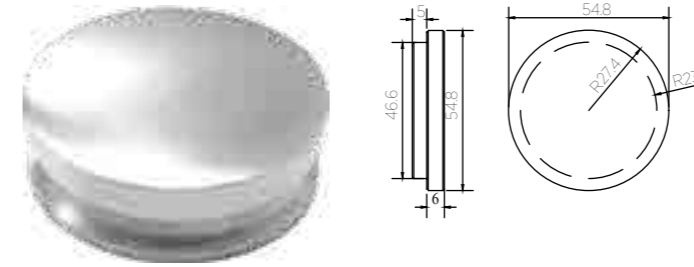


**OZRAC-GKT-88**  
For 10-12mm thick glass  
Suitable for Aluminium Saloted Handrail

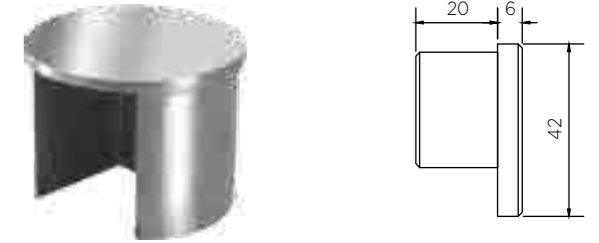


**OZRAC-GKT-55**  
For 13.52mm thick glass  
Suitable for Aluminium & Saloted Handrail

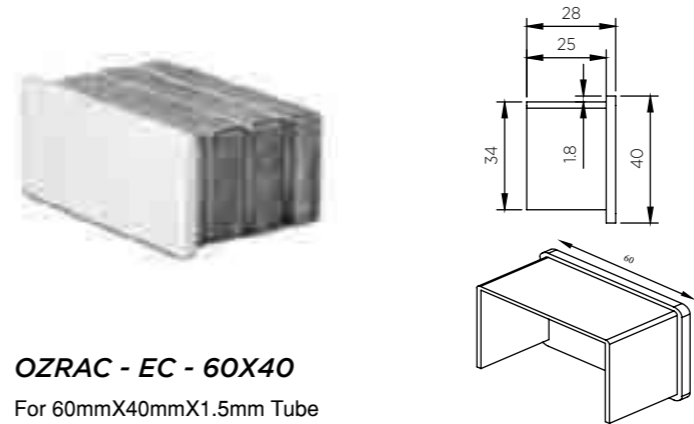
**End Cap**



**OZRAC - EC - 50A**  
For Dia 50mmX1.5mm thick pipe  
SS-304 Grade  
SSS Finish  
Push Fit End Cap



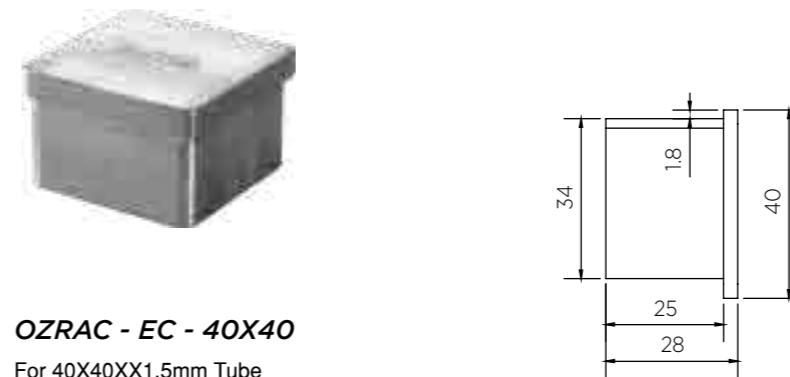
**OZRAC - EC - 42**  
For Dia 42mmX1.5mm thick pipe  
SS-304 Grade  
SSS Finish  
Push Fit End Cap



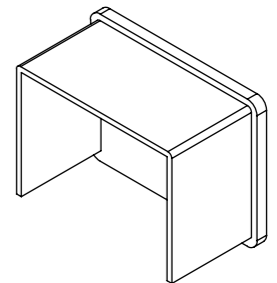
**OZRAC - EC - 60X40**  
For 60mmX40mmX1.5mm Tube  
SS-304 Grade  
SSS Finish  
Push Fit End Cap



**OZRAC - EC - 12A**  
For Dia 12mmX1.5mm thick pipe  
SS-304 Grade  
SSS Finish  
Push Fit End Cap



**OZRAC - EC - 40X40**  
For 40X40X1.5mm Tube  
SS-304 Grade  
SSS Finish  
Push Fit End Cap



**Elbow**

Aluminium Grade: 6063  
Available Finish: ANODIZED



**OZRAC-EB-40X40B AL AN**  
Elbow 90 for 40x40mm  
Aluminium Square Salotted  
pipe.



**OZRAC-EB-50 AL AN**  
Elbow for Dia 50 mm aluminium  
Salotted hand rail.

**Joiner**



**OZRAC-JO-40X40 AL AN**  
Pipe to pipe joiner 180 for  
40x40mm Aluminium Square  
Salotted pipe.



**OZRAC-JO-50 AL AN**  
Pipe to pipe joiner 180 for Dia 50mm  
Aluminium Salotted pipe.

**Wall Cap**



**OZRAC-WC-50 AL AN**  
Wall mounted End Cap for  
Dia 50mm Aluminium Salotted  
pipe.



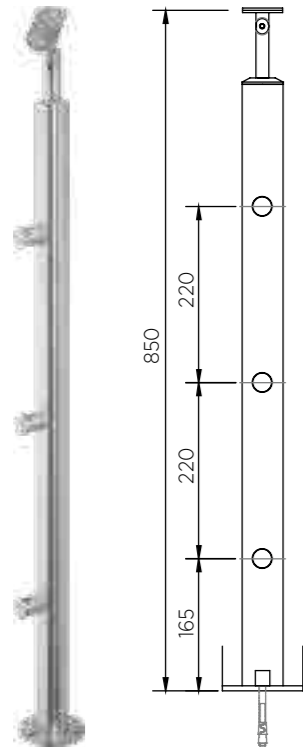
**OZRAC-WC-40X40 AL AN**  
Wall mounted End Cap for  
40x40mm Aluminium Square  
Salotted pipe.

**Notes:**

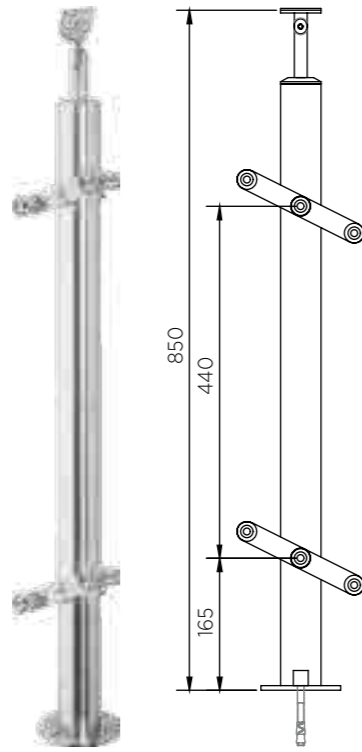
- Anchor fastener included with product is as per general usages only.
- Base Concrete should be M20 or M25 grade for fixing fastener.
- Mention glass thickness are for indicative only.
- Refer to Architect or structure consultant for specific glass & fastner specification.



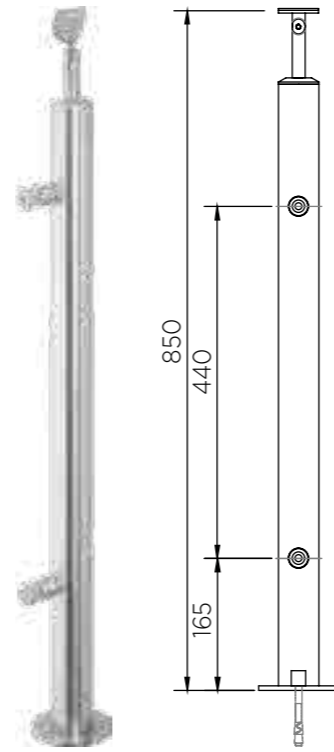
**STANDARD  
BALUSTERS**



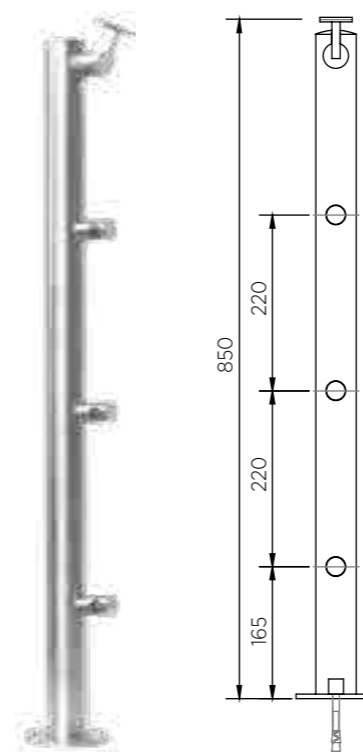
**OZRST - 11 - 3R**  
Dia 50mm X 1.5mm  
SS-304 Grade  
SSS Finish  
Round base plate with 3Nos. Holes  
For Mid rail Dia 12Mm & Hand rail Dia 50Mm



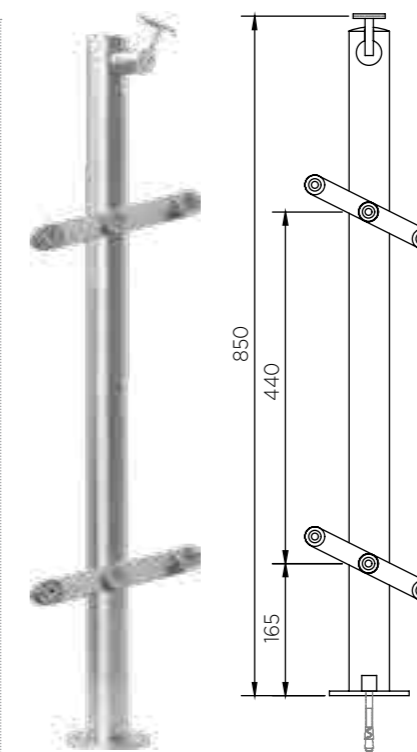
**OZRST - 11 - GH**  
Dia 50mm X 1.5mm  
SS-304 Grade  
SSS Finish  
Round base plate with 3Nos. Holes  
For 8 to 12mm thick Glass & hand rail dia 50 mm



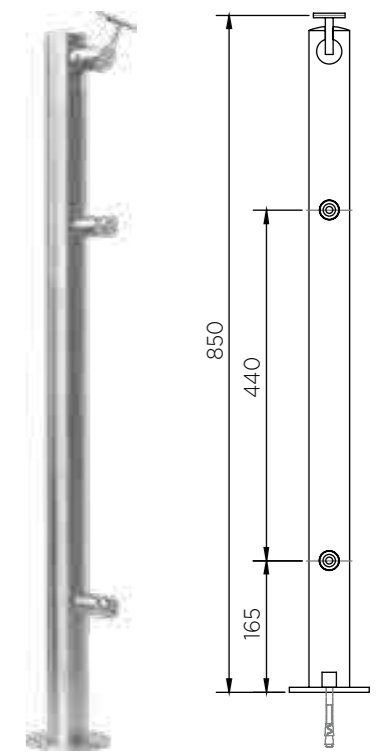
**OZRST - 11 - DGH**  
Dia 50mm X 1.5mm  
SS-304 Grade  
SSS Finish  
Round base plate with 3Nos. Holes  
For 8 to 12mm thick Glass & hand rail dia 50mm



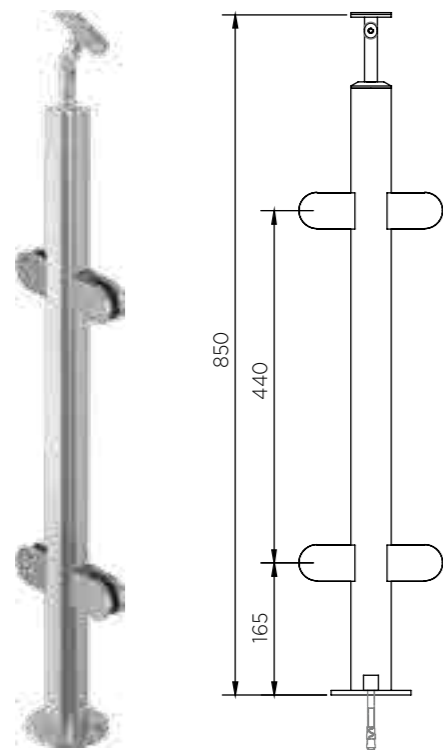
**OZRST - 22 - 3R**  
Dia 50mm X 1.5mm  
SS-304 Grade  
SSS Finish  
Round base plate with 3Nos. Holes  
For Mid rail Dia 12Mm & Hand rail Dia 50Mm



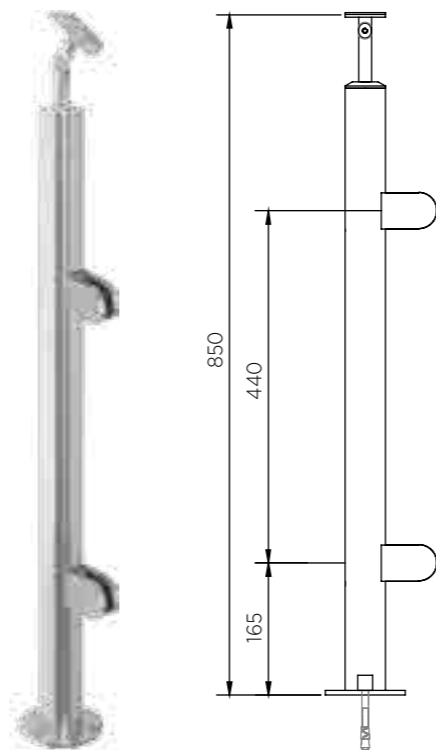
**OZRST - 22 - GH**  
Dia 50mm X 1.5mm  
SS-304 Grade  
SSS Finish  
Round base plate with 3Nos. Holes  
For 8 to 12mm thick Glass & hand rail dia 50mm



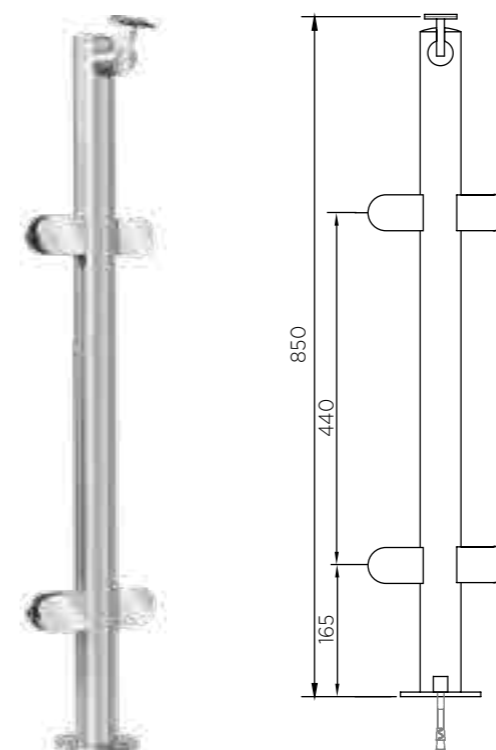
**OZRST - 22 - DGH**  
Dia 50mm X 1.5mm  
SS-304 Grade  
SSS Finish  
Round base plate with 3Nos. Holes  
For 8 to 12mm thick Glass & hand rail dia 50mm



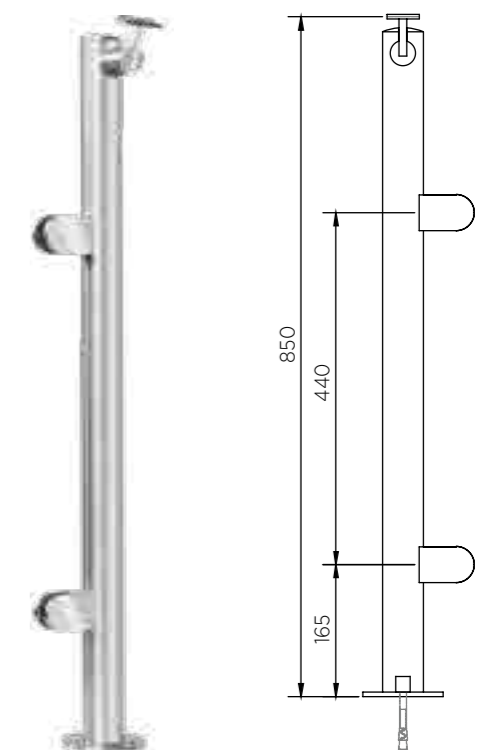
**OZRST - 11 - GC1**  
Dia 50mm X 1.5mm  
SS-304 Grade  
SSS Finish  
Round base plate with 3Nos. Holes  
For 10mm to 12mm thick glass & hand rail dia 50mm



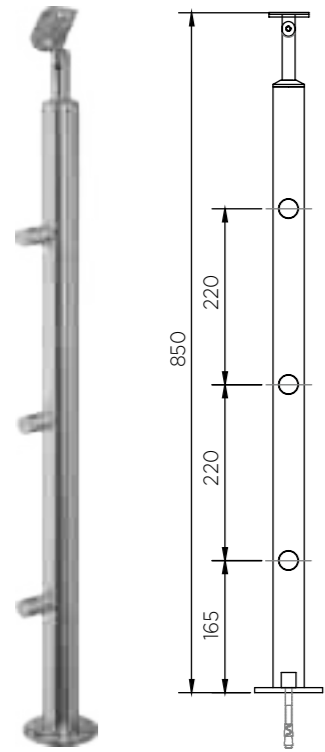
**OZRST - 11 - GC2**  
Dia 50mm X 1.5mm  
SS-304 Grade  
SSS Finish  
Round base plate with 3Nos. Holes  
For 10mm to 12mm thick glass & hand rail dia 50mm



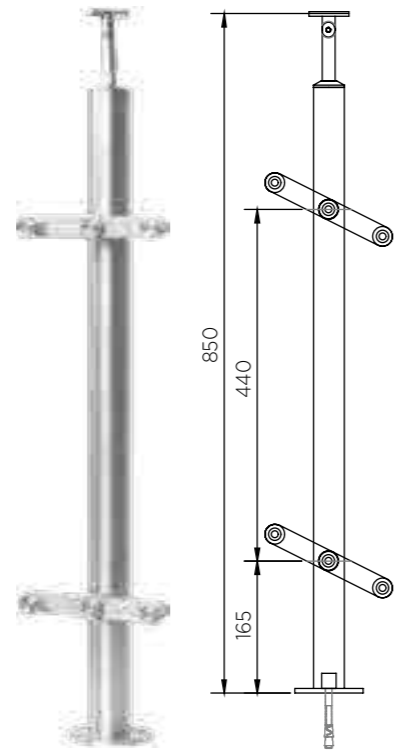
**OZRST - 22 - GC1**  
Dia 50mm X 1.5mm  
SS-304 Grade  
SSS Finish  
Round base plate with 3Nos. Holes  
For 10mm to 12mm thick glass & hand rail dia 50mm



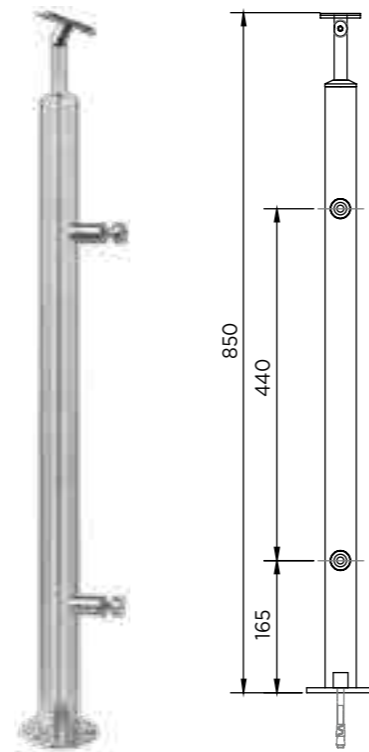
**OZRST - 22 - GC2**  
Dia 50mm X 1.5mm  
SS-304 Grade  
SSS Finish  
Round base plate with 3Nos. Holes  
For 10mm to 12mm thick glass & hand rail dia 50mm



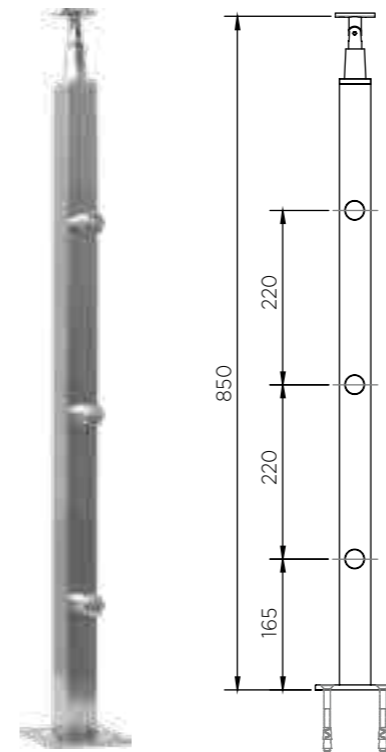
**OZRST - 33 - 3R**  
Dia 38mm X 1.5mm  
SS-304 Grade  
SSS Finish  
Round base plate with 3Nos. Holes  
For Mid rail Dia 12Mm & Hand rail Dia 50Mm



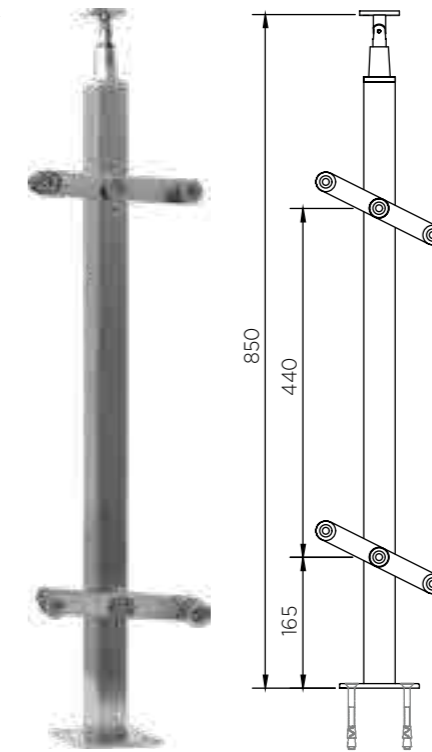
**OZRST - 33 - GH**  
Dia 38mm X 1.5mm  
SS-304 Grade  
SSS Finish  
Round base plate with 3Nos. Holes  
For 8 to 12mm thick Glass & hand rail dia 50mm



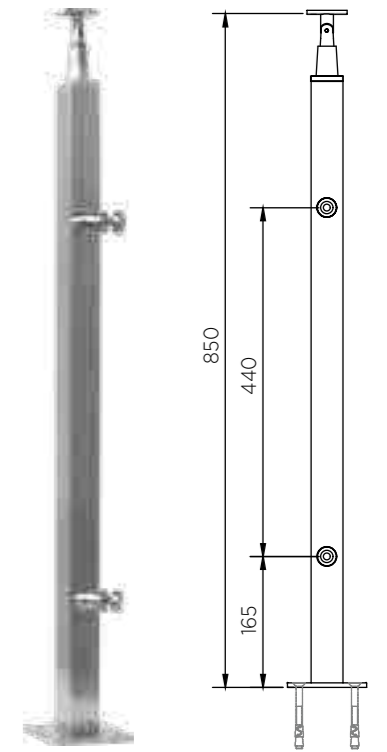
**OZRST - 33 - DGH**  
Dia 38mm X 1.5mm  
SS-304 Grade  
SSS Finish  
Round base plate with 3Nos. Holes  
For 8 to 12mm thick Glass & hand rail dia 50mm



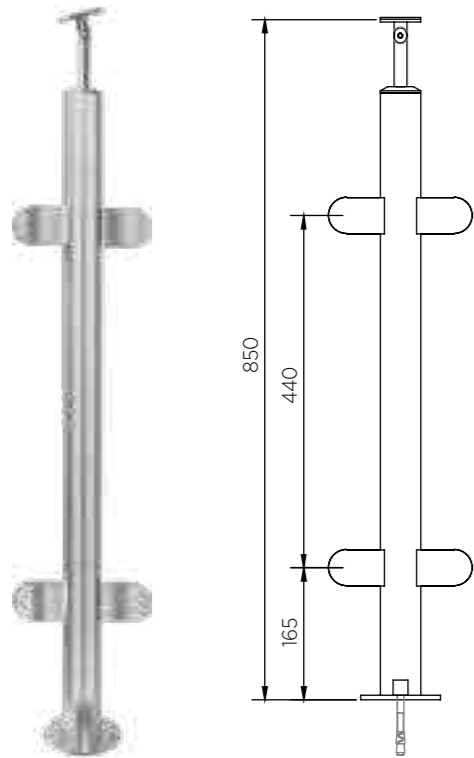
**OZRST - 44 - 3R**  
40X40X1.5mm  
SS-304 Grade  
SSS Finish  
Square base plate with 4Nos. Holes  
For Mid rail Dia 12Mm & Hand rail Dia 50Mm



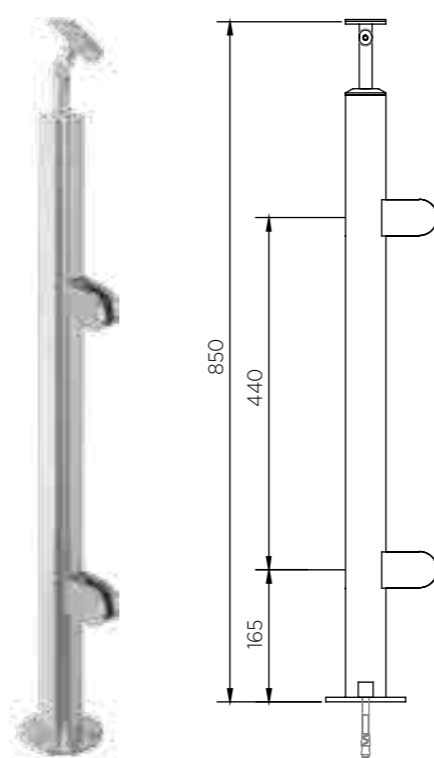
**OZRST - 44 - GH**  
40X40X1.5mm  
SS-304 Grade  
SSS Finish  
Square base plate with 4Nos. Holes  
For 8 to 12mm thick Glass & hand rail dia 50mm



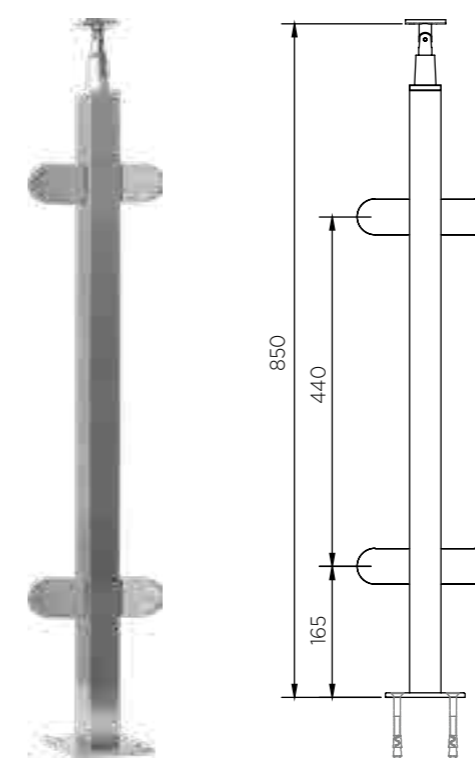
**OZRST - 44 - DGH**  
40X40X1.5mm  
SS-304 Grade  
SSS Finish  
Square base plate with 4Nos. Holes  
For 8 to 12mm thick Glass & hand rail dia 50mm



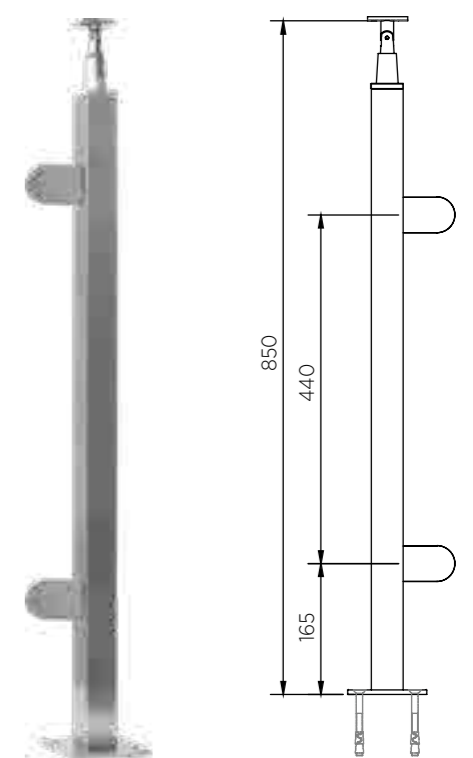
**OZRST - 33 - GC1**  
Dia 38mm X 1.5mm  
SS-304 Grade  
SSS Finish  
Round base plate with 3Nos. Holes  
For 10mm to 12mm thick glass & hand rail dia 50mm



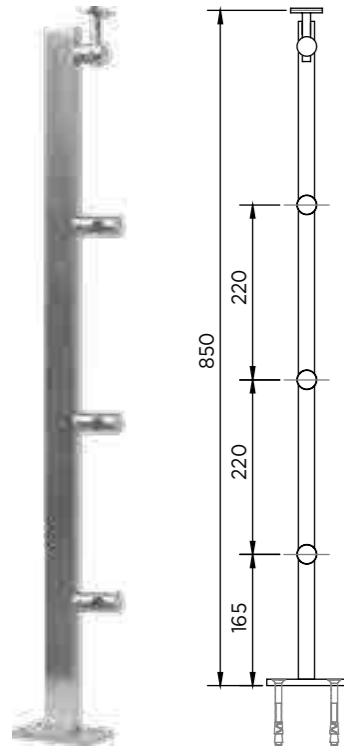
**OZRST - 33 - GC2**  
Dia 38mm X 1.5mm  
SS-304 Grade  
SSS Finish  
Round base plate with 3Nos. Holes  
For 10mm to 12mm thick glass & hand rail dia 50mm



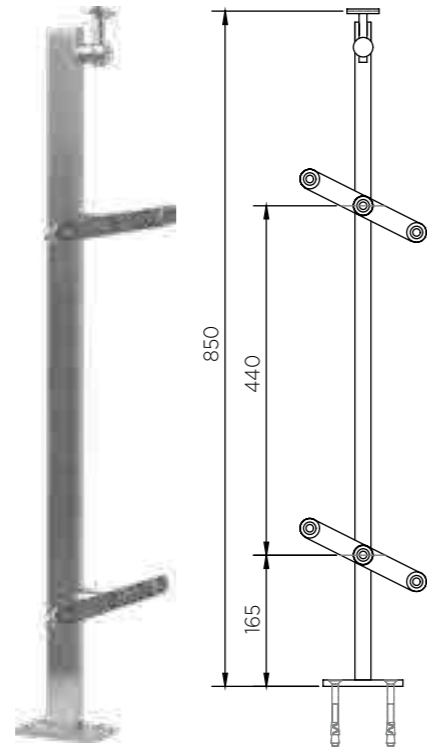
**OZRST - 44 - GC1**  
40X40X1.5mm  
SS-304 Grade  
SSS Finish  
Square base plate with 4Nos. Holes  
For 10mm to 12mm thick glass & hand rail dia 50mm



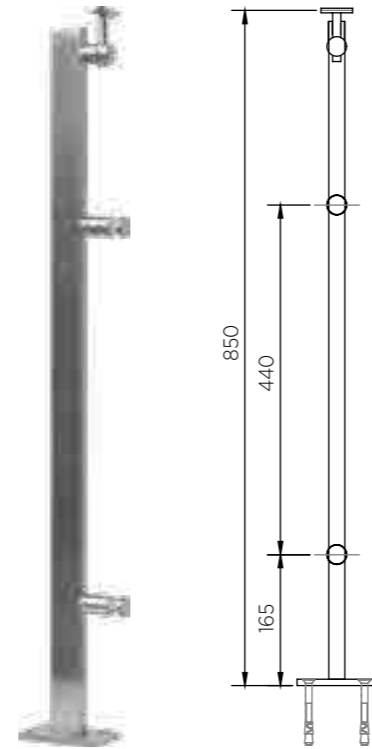
**OZRST - 44 - GC2**  
40X40X1.5mm  
SS-304 Grade  
SSS Finish  
Square base plate with 4Nos. Holes  
For 10mm to 12mm thick glass & hand rail dia 50mm



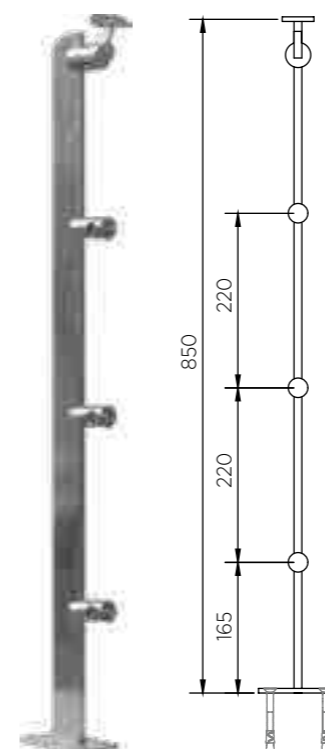
**OZRST - 66 - 3R**  
40X20X1.5mm  
SS-304 Grade  
SSS Finish  
Rectangular base Plate with 4 Nos. Holes  
For Mid rail Dia 12Mm & Hand rail Dia 50Mm



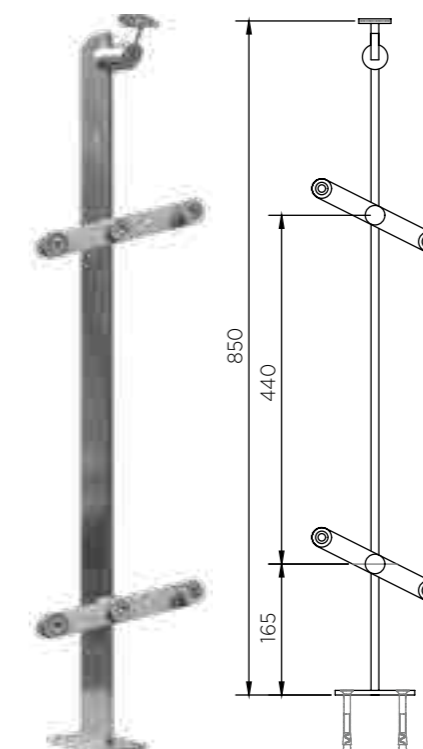
**OZRST - 66 - GH**  
40X20X1.5mm  
SS-304 Grade  
SSS Finish  
Rectangular base Plate with 4 Nos. Holes  
For 8 to 12mm thick Glass & hand rail dia 50mm



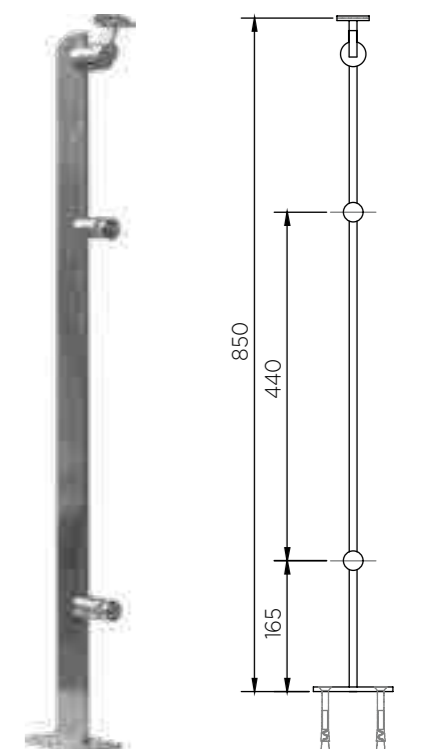
**OZRST - 66 - DGH**  
40X20X1.5mm  
SS-304 Grade  
SSS Finish  
Rectangular base Plate with 4 Nos. Holes  
For 8 to 12mm thick Glass & hand rail dia 50mm



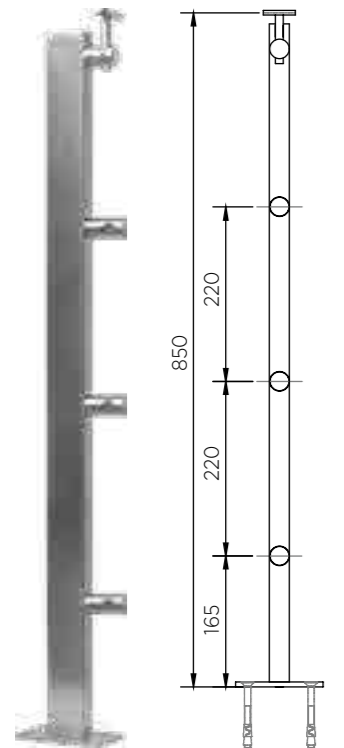
**OZRST - 55 - 3R**  
50X10X1.5mm  
SS-304 Grade  
SSS Finish  
Rectangular base plate with 4 Nos. Holes  
For Mid rail Dia 12Mm & Hand rail Dia 50Mm



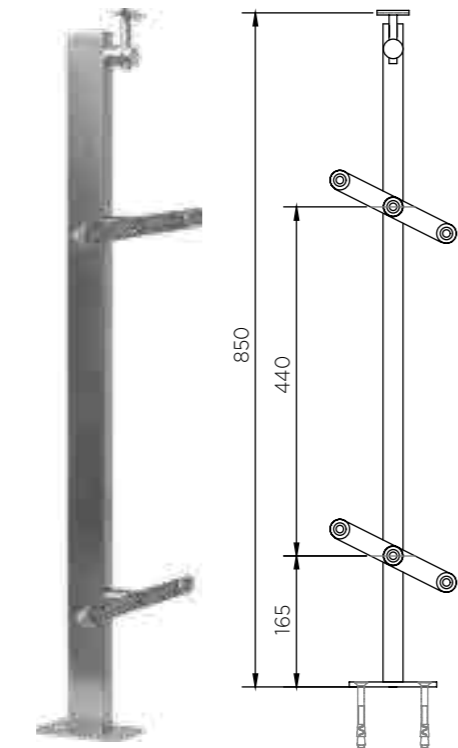
**OZRST - 55 - GH**  
50X10X1.5mm  
SS-304 Grade  
SSS Finish  
Rectangular base plate with 4 Nos. Holes  
For 8 to 12mm thick Glass & dia 50mm hand rail dia 50mm



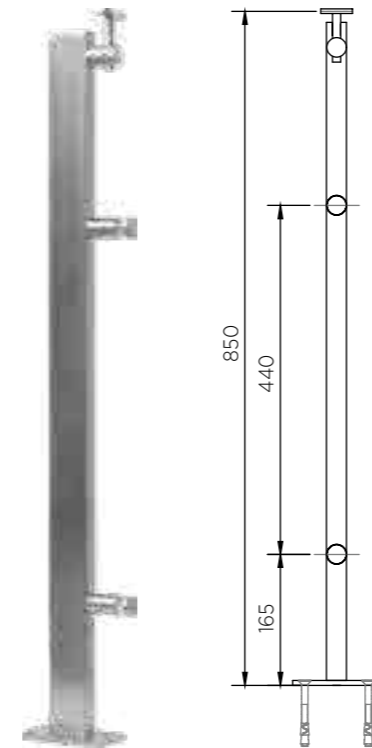
**OZRST - 55 - DGH**  
50X10X1.5mm  
SS-304 Grade  
SSS Finish  
Rectangular base plate with 4 Nos. Holes  
For 8 to 12mm thick Glass & dia 50mm hand rail dia 50mm



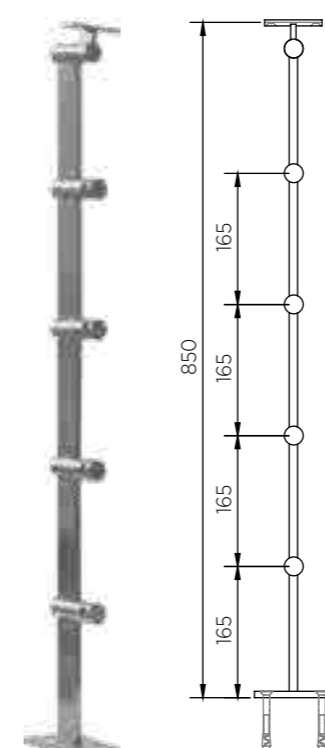
**OZRST - 77 - 3R**  
50X25X1.5mm  
SS-304 Grade  
SSS Finish  
Square base Plate with 4 Nos. Holes  
For Mid rail Dia 12Mm & Hand rail Dia 50Mm



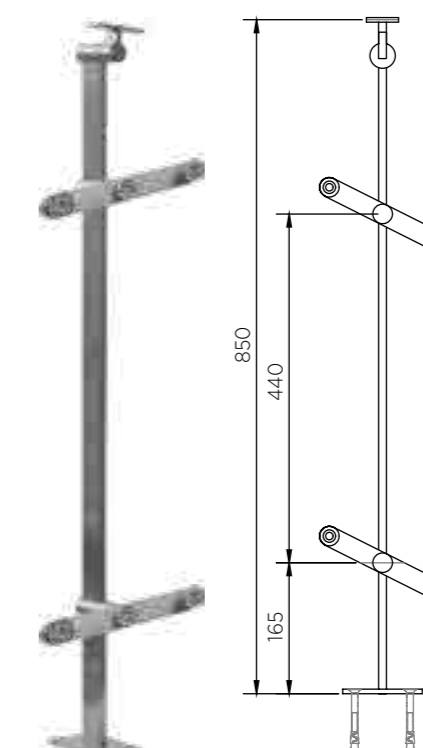
**OZRST - 77 - GH**  
50X25X1.5mm  
SS-304 Grade  
SSS Finish  
Square base Plate with 4 Nos. Holes  
For 8 to 12mm thick Glass & hand rail dia 50mm



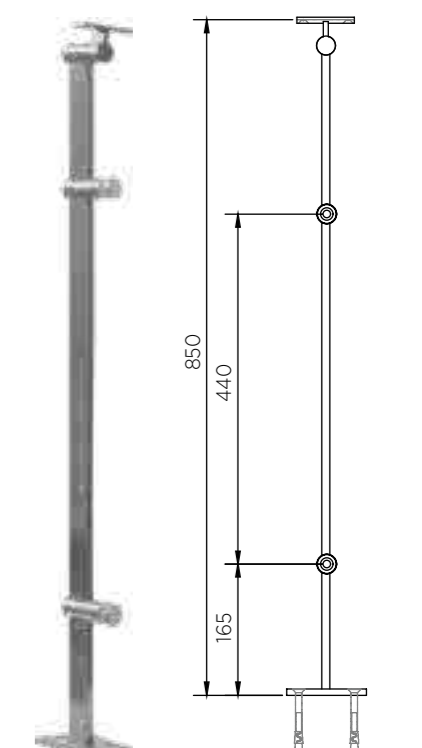
**OZRST - 77 - DGH**  
50X25X1.5mm  
SS-304 Grade  
SSS Finish  
Square base Plate with 4 Nos. Holes  
For 8 to 12mm thick Glass & hand rail dia 50mm



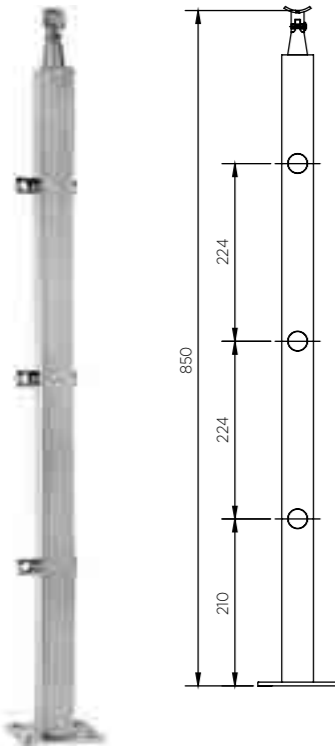
**OZRSU - 11 - 4R**  
40X10mm Solid  
SS-304 Grade  
SSS Finish  
Rectangular base plate with 4 Nos. Holes  
For Mid rail Dia 12Mm & Hand rail Dia 50Mm



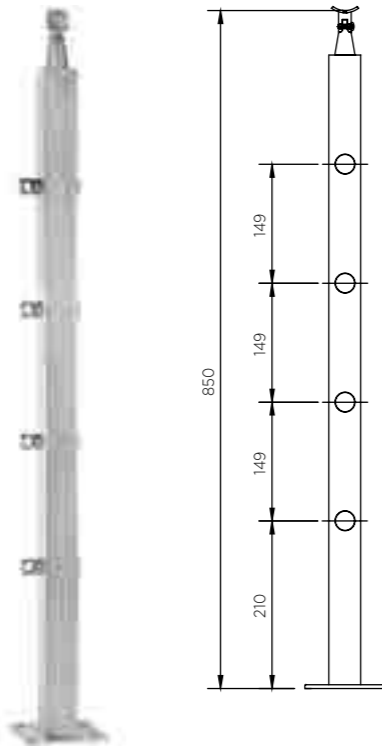
**OZRSU - 11 - GH**  
40X10mm Solid  
SS-304 Grade  
SSS Finish  
Rectangular base plate with 4 Nos. Holes  
For 8 to 12mm thick Glass & hand rail dia 50mm



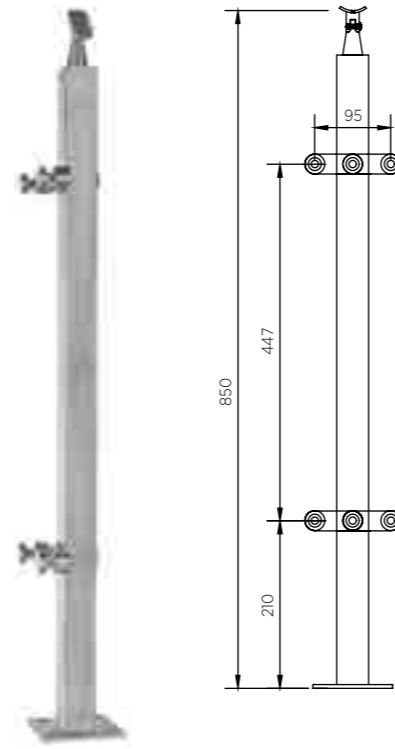
**OZRSU - 11 - DGH**  
40X10mm Solid  
SS-304 Grade  
SSS Finish  
Rectangular base plate with 4 Nos. Holes  
For 8 to 12mm thick Glass & hand rail dia 50mm



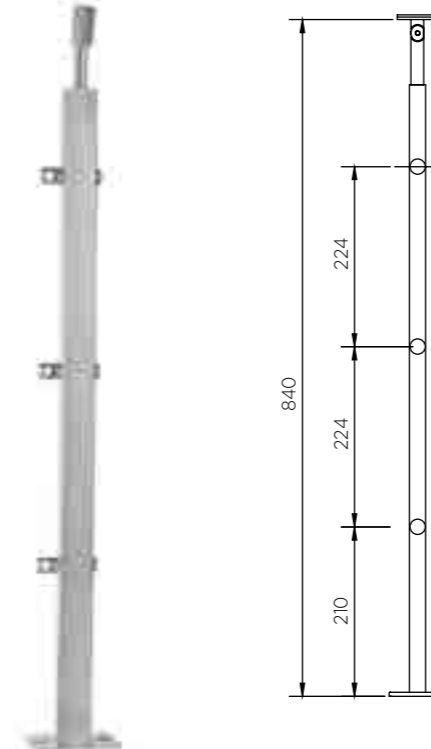
**OZREC-11-3R**  
40X40X1.5mm  
SS-304 Grade  
SSS Finish  
Square base plate with 4Nos. Csk Holes  
Mid rail Dia 12Mm & Hand rail Dia 50Mm



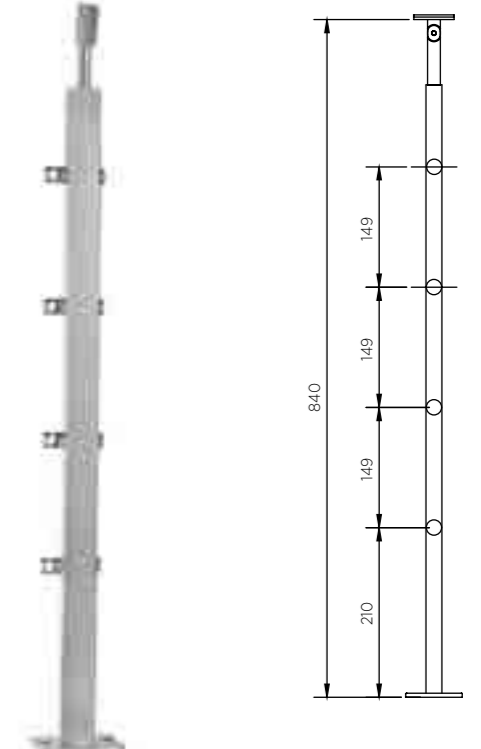
**OZREC-11-4R**  
40X40X1.5mm  
SS-304 Grade  
SSS Finish  
Square base plate with 4Nos. Csk Holes  
Mid rail Dia 12Mm & Hand rail Dia 50Mm



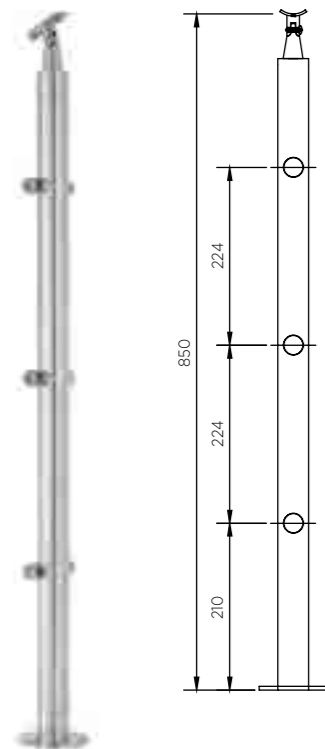
**OZREC-11-GH**  
40X40X1.5mm  
SS-304 Grade  
SSS Finish  
Square base plate with 4Nos. Csk Holes  
8 to 12mm thk Glass & Hand rail Dia 50mm



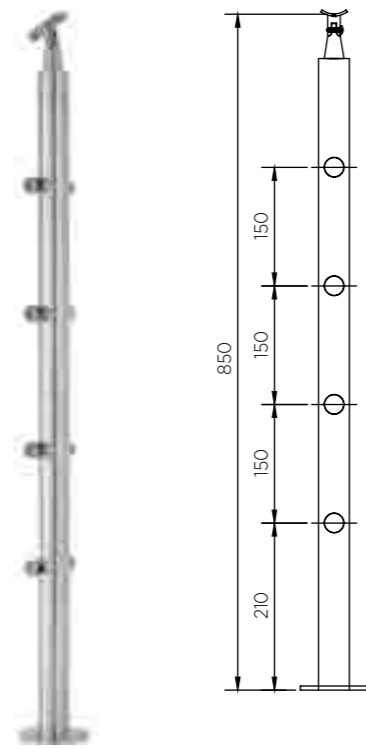
**OZREC-33-3R**  
40 X 20X 1.5mm  
SS-304 Grade  
SSS Finish  
Rectangular base plate with 2Nos. Csk Holes  
Mid rail Dia 12Mm & Hand rail Dia 50Mm



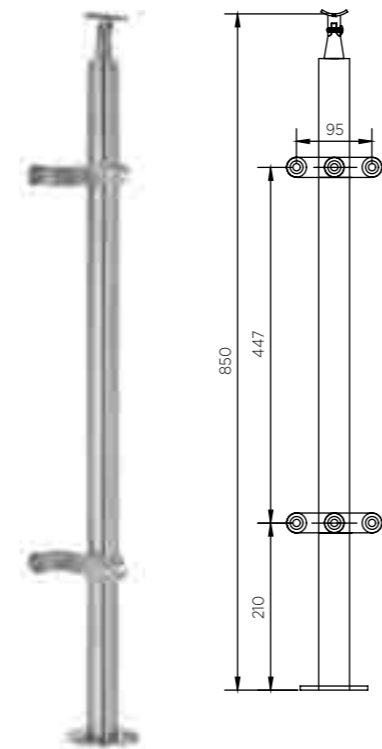
**OZREC-33-4R**  
40 X 20X 1.5mm  
SS-304 Grade  
SSS Finish  
Rectangular base plate with 2Nos. Csk Holes  
Mid rail Dia 12Mm & Hand rail Dia 50Mm



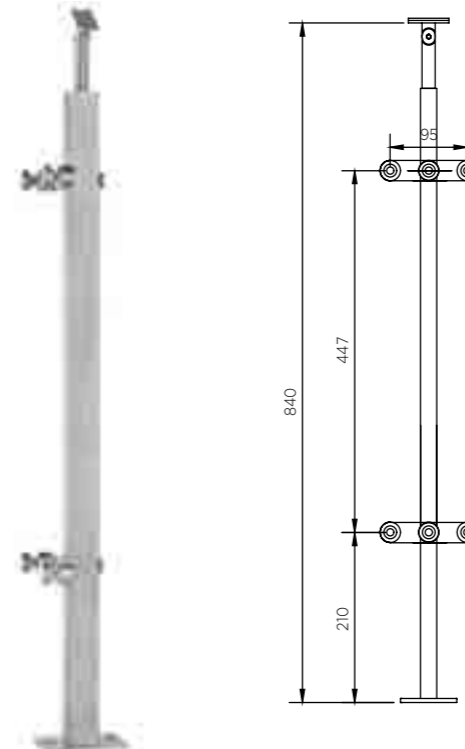
**OZREC-22-3R**  
Dia 38X1.5mm  
SS-304 Grade  
SSS Finish  
Round base plate with 3Nos. Csk Holes  
Mid rail Dia 12Mm & Hand rail Dia 50Mm



**OZREC-22-4R**  
Dia 38X1.5mm  
SS-304 Grade  
SSS Finish  
Round base plate with 3Nos. Csk Holes  
Mid rail Dia 12Mm & Hand rail Dia 50Mm



**OZREC-22-GH**  
Dia 38X1.5mm  
SS-304 Grade  
SSS Finish  
Round base plate with 3Nos. Csk Holes  
8 to 12mm thk Glass & Hand rail Dia 50mm



**OZREC-33-GH**  
40 X 20X 1.5mm  
SS-304 Grade  
SSS Finish  
Rectangular base plate with 2Nos. Csk Holes  
8 to 12mm thk Glass & Hand rail Dia 50mm





# CUSTOM BUILT RAILINGS FOR PROJECTS

# CUSTOM BUILT RAILINGS FOR PROJECTS

Railing Customization is providing Design, Development and Manufacturing of the Railing System as per the client requirement. It is generally required for the big projects like Airports, Shopping Malls, Housing Societies. Ozone also provide one shop railing solutions services from designing till project execution.

We have the in-house team of product designers, architects, mechanical engineers and civil engineers which gives the ability to execute any kind of costamize work.





Project: DLF The Crest, Gurugram



Project: DLF The Crest, Gurugram



Project: Khalifa Stadium Energy Center, Qatar

Project: NSCB International Airport Kolkata



Project: Chhatrapati Shivaji International Airport Mumbai



Project: Amritsar Airport  
(Sri Guru Ram Das Ji International Airport)





**ISO Certified Company**



Ozone has TUV Certified welder to produce good quality product.

OZONE METALLICS		D/W-482 WELDING PROCEDURE SPECIFICATION (PRELIMINARY WPS) (As Per ASME Boiler and Pressure Vessel Code, Section IX)																																					
WPS No.: WPS-ORPL-01, Rev 01, DTD: 02/08/2018																																							
Supporting PQR No.: PQR-ORPL-01, DTD: 02/08/2018																																							
<b>POSITION (D/W-482)</b>		<b>POST WELD HEAT TREATMENT (D/W-407)</b>																																					
Position of groove:	2G	Temperature Range:	None																																				
Welding Position:	1F (1) Vertical	Time Range:	None																																				
Position of filler:	2G	Other:	None																																				
Other:	None	<b>GAS (D/W-408)</b>																																					
<b>PREHEAT (D/W-406)</b>		Percentage Composition:																																					
Preheat Temp Min:	70 C Min	Gas 1st:	Argon																																				
Preheat Temp Max:	175 C Max	Gas 2nd:	CO2																																				
Preheat Maintenance:	None	Shielding:	SAFETY																																				
Other:	None	Backing:	Yes																																				
<b>ELECTRICAL CHARACTERISTICS (D/W-405)</b>		Flow Part:	None																																				
Current AC or DC:	Direct Current	Flow Part:	None																																				
Ways (Range):	2G, 2G (Vertical)	Flow Part:	None																																				
Heat Input:	30 KJ/cm	Flow Part:	None																																				
Travel Speed Range:	As per WPS	Flow Part:	None																																				
Mode of Metal Transfer:	None	Flow Part:	None																																				
Electrode Wire feed speed range:	None	Flow Part:	None																																				
Others:	None	Flow Part:	None																																				
<b>TECHNIQUE (D/W-418)</b>		<b>PREPARATION</b>																																					
Shield or Shielding Gas:	As per WPS	Bevel:	None																																				
Shield or Gas Gas Flow:	As per WPS	Bevel:	None																																				
Inter and Intra-pass Cleaning:	As per WPS	Bevel:	None																																				
Method of Root-Gouging:	As per WPS	Bevel:	None																																				
Qualifier:	As per WPS	Bevel:	None																																				
Contact Tube Length Distance:	As per WPS	Bevel:	None																																				
Multiple or Single Passes:	As per WPS	Bevel:	None																																				
Multiple or Single Electrode:	As per WPS	Bevel:	None																																				
Travel Speed Range:	As per WPS	Bevel:	None																																				
Interpass spacing:	As per WPS	Bevel:	None																																				
Close to end of Chapter:	As per WPS	Bevel:	None																																				
Use of Interpass Preheating:	As per WPS	Bevel:	None																																				
Drainage:	As per WPS	Bevel:	None																																				
Metal/Auxiliary:	As per WPS	Bevel:	None																																				
Other:	None	Bevel:	None																																				
<table border="1"> <thead> <tr> <th>Wire</th> <th>Process</th> <th colspan="2">Filler Metal</th> <th>Current</th> <th>Travel Speed</th> <th>Gas Flow</th> <th>Shielding Gas</th> <th>Heat Input</th> </tr> <tr> <th>Designation</th> <th></th> <th>Composition</th> <th>Use</th> <th>Type &amp; Range</th> <th>mm/min</th> <th>lit/min</th> <th>lit/min</th> <th>kJ/cm</th> </tr> </thead> <tbody> <tr> <td>As per Requirement</td> <td>E315W</td> <td>ER-308</td> <td>3.0</td> <td>DCSP</td> <td>30-500</td> <td>30-50</td> <td>30-50</td> <td>As Specified</td> </tr> <tr> <td></td> <td>E315W</td> <td>ER-308</td> <td>3.0</td> <td>DCSP</td> <td>100-140</td> <td>30-50</td> <td>30-50</td> <td>As Specified</td> </tr> </tbody> </table>				Wire	Process	Filler Metal		Current	Travel Speed	Gas Flow	Shielding Gas	Heat Input	Designation		Composition	Use	Type & Range	mm/min	lit/min	lit/min	kJ/cm	As per Requirement	E315W	ER-308	3.0	DCSP	30-500	30-50	30-50	As Specified		E315W	ER-308	3.0	DCSP	100-140	30-50	30-50	As Specified
Wire	Process	Filler Metal		Current	Travel Speed	Gas Flow	Shielding Gas	Heat Input																															
Designation		Composition	Use	Type & Range	mm/min	lit/min	lit/min	kJ/cm																															
As per Requirement	E315W	ER-308	3.0	DCSP	30-500	30-50	30-50	As Specified																															
	E315W	ER-308	3.0	DCSP	100-140	30-50	30-50	As Specified																															
Prepared & Checked by		Reviewed & Approved by		Test Witnessed & Approved by TUV																																			
SIGNATURE		SIGNATURE		SIGNATURE																																			
NAME		NAME		NAME																																			
DATE		DATE		DATE																																			