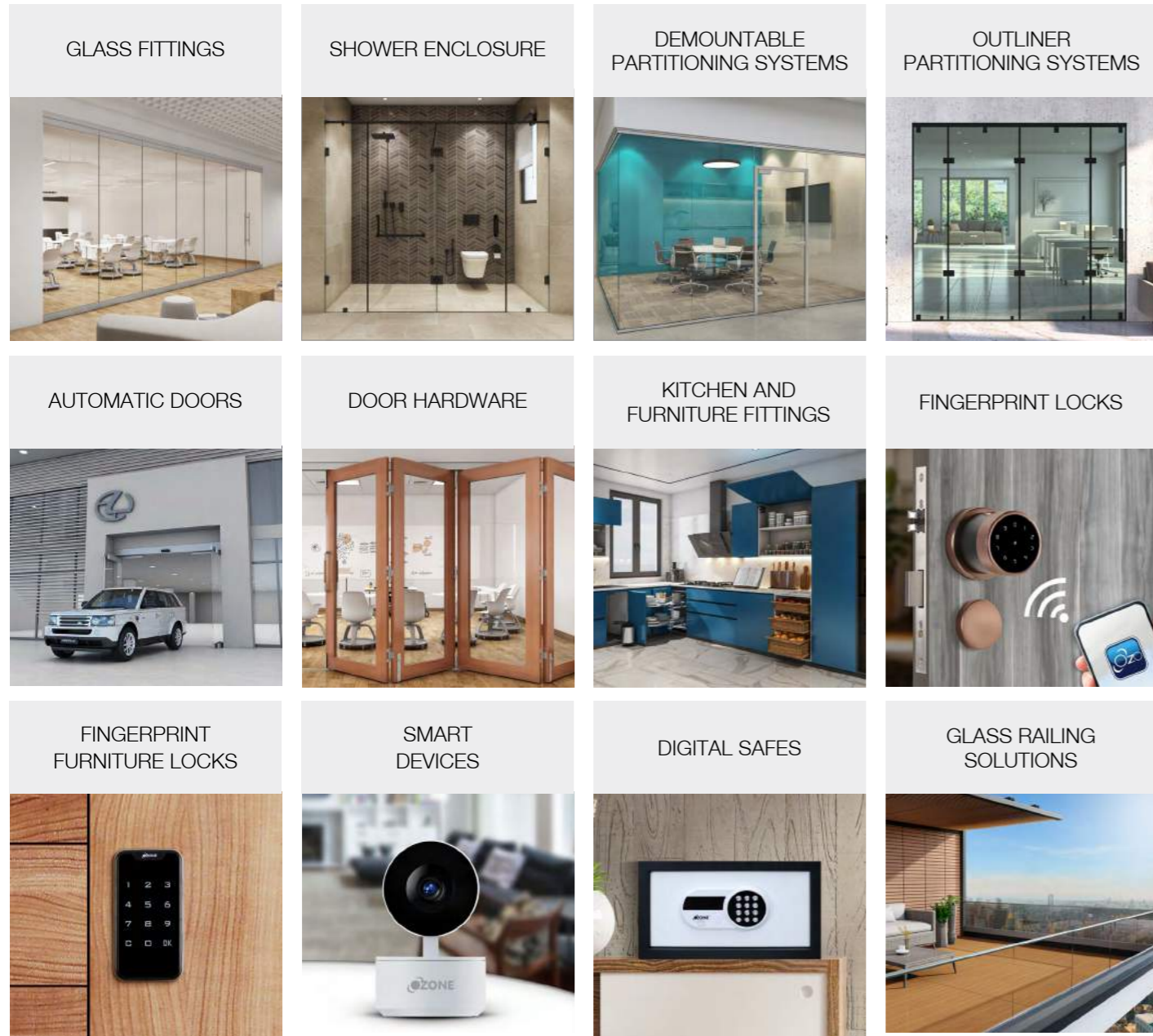


For over two decades, Ozone has offered Architectural Hardware Solutions with a diversified portfolio of more than 5000 products. These products are tested and certified internationally for quality, functionality, and performance.



Ozone has partnered with KUBIK to create India's most extensive range of Complete Partitioning Solutions for Homes, Offices, Banquets, Schools, and similar establishments. The new entity is named KUBOZ Arc Private Limited.



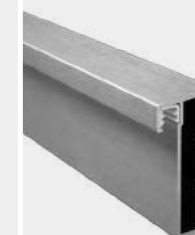
INDEX

KITCHEN AND FURNITURE FITTINGS	Page No.
Drawer System	1-8
Drawer Slides	9-11
Furniture Hinges	12-17
Kitchen Accessories	18-20
Lift Up Mechanism	21
Aluminium Frame & Handle Profiles	22-24
Wardrobe Sliding System	25-31
Wardrobe Accessories	32-34
Bed Fittings	35-36
Connecting Fittings	37
Door & Furniture Locks (Digital)	38-50
Furniture Locks (Mechanical)	51-52
Table Fittings	53-54
Kitchen Wire Basket- Speedy Series	55-59

Complete Kitchen Solution



Cabinet Hinges



Aluminium Frame Profiles



Soft Close Lift-Up Systems



SS 304 Full Extension Ball Bearing Slides



Crockery Organizers



Pantry Unit



Roller Shutter System



Undermount Push Open Drawer Slides



Corner Organizer



Slim Ergotec Drawer System



Aluminium Skirting & Cabinet Legs



Cutlery Organizers



Kitchen Bins

ERGOTEC SLIM DRAWER SYSTEM

Maximizing Internal Storage Space

OE-DWDS-SL Anth Grey- Product Kit



Key Features:

- Full-extension drawer system for a smooth and consistent closure
- Slim wall (only 13 mm) provides more usable space as to drawer
- Undermount slides equipped with Dual-Synchro and slow motion (FR) damping technology to provide smooth and controlled movement
- Side panels equipped with inbuilt catch for concealed slides
- Integrated front panel adjustment

Specifications:

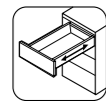
- Slim Double walled drawer system
- Available sizes: 450-550mm (18-22inch)
- System height: 89, 126 & 174 mm
- Load capacity of 40Kg

Kit Includes:

- Undermount Full Ext. Slide Set, L & R Each
- Double Walled Slim Side Panel Set, L & R Each
- Front Panel Connectors Set, L & R Each
- Cover Cap With Ozone Logo, 2 Pcs



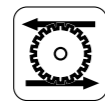
SOFT CLOSE



FULL EXTENSION



40 Kg
WT. CARRYING
CAPACITY



DUAL-SYNCHRO



Sizes Available in Grey Color:
OE-DWDS-SL-N 89x450MM ANTHGREY
OE-DWDS-SL-N 89x500MM ANTHGREY
OE-DWDS-SL-N 89x550MM ANTHGREY
OE-DWDS-SL-N 126x450MM ANTHGREY
OE-DWDS-SL-N 126x500MM ANTHGREY
OE-DWDS-SL-N 126x550MM ANTHGREY
OE-DWDS-SL-N 174x450MM ANTHGREY
OE-DWDS-SL-N 174x500MM ANTHGREY
OE-DWDS-SL-N 174x550MM ANTHGREY

White finish also available against bulk orders

SLIM ERGOTEC INNER DRAWER



REGULAR
Component Details:
Front Rail-1100mm,
Front Bracket



LARGE
Component Details:
Front Bracket,
Front Rail-1100mm,
Square Cross Rail

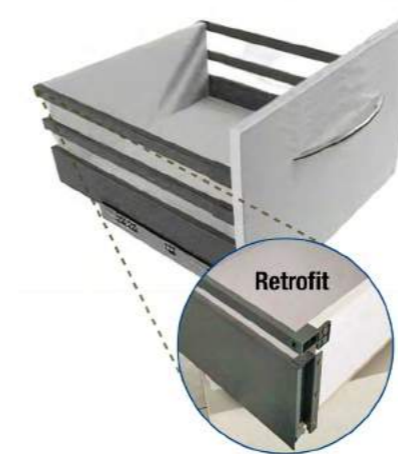
Item Code	Line Drawing
OE-DWDS-SL-ID-FS STD ANTHGREY	
OE-DWDS-SL-ID-FB 109MM ANTHGREY	

Note: Please order complete set of Slim Ergotec drawer H-89mm set separately

Item Code	Line Drawing
OE-DWDS-SL-ID-FB 195MM ANTHGREY	
OE-DWDS-SL-ID-FS STD ANTHGREY	
OE-DWDS-SL-ID-SR 195MM ANTHGREY	

Note: Please order complete set of Slim Ergotec drawer H-174mm set separately

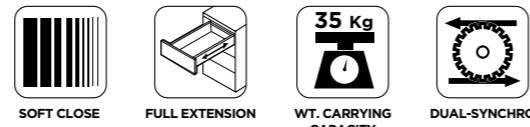
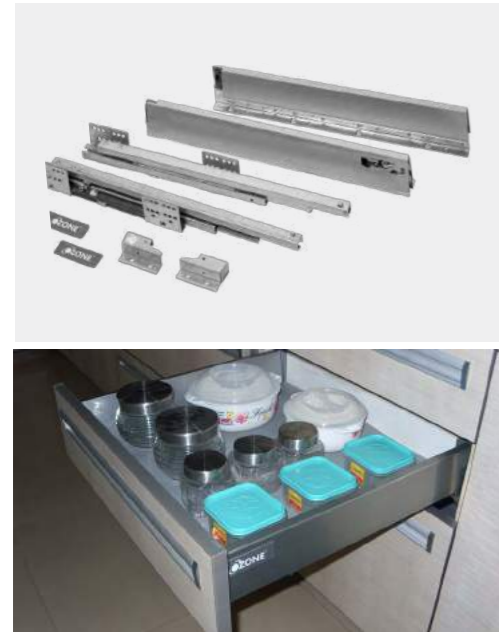
ERGOTEC SQUARE RAIL



Item Code	Size (NL)
OE-DWDS-SL-SQ-RL 450MM GREY	450mm
OE-DWDS-SL-SQ-RL 500MM GREY	500mm
OE-DWDS-SL-SQ-RL 550MM GREY	550mm

Note: Supplied along with back and front connector

ERGOTEC STANDARD DRAWER SYSTEM KIT



Item Code	Description
OE-DWDS 84x350MM MG	System for 350mm (14")
OE-DWDS 84x400MM MG	System for 400mm (16")
OE-DWDS 84x450MM MG	System for 450mm (18")
OE-DWDS 84x500MM MG	System for 500mm (20")
OE-DWDS 84x550MM MG	System for 550mm (22")

ERGOTEC DRAWER SYSTEM WITH SINGLE RAILS



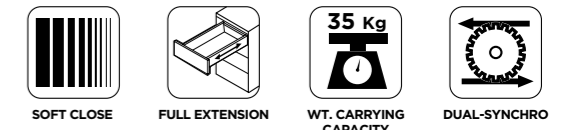
Scan QR for Installation Video



Item Code	Description
OE-DWDS-SR 135x350MM MG	System for 350mm (14")
OE-DWDS-SR 135x400MM MG	System for 400mm (16")
OE-DWDS-SR 135x450MM MG	System for 450mm (18")
OE-DWDS-SR 135x500MM MG	System for 500mm (20")
OE-DWDS-SR 135x550MM MG	System for 550mm (22")

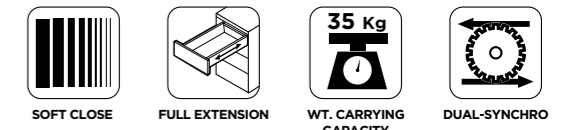


ERGOTEC DRAWER SYSTEM WITH DOUBLE RAILS



Item Code	Description
OE-DWDS-DR 199x500MM MG	System for 500mm (20")
OE-DWDS-DR 199x550MM MG	System for 550mm (22")

ERGOTEC DRAWER SYSTEM WITH METAL SIDE SUPPORT WALLS



Item Code	Description
OE-DWDS-SMW 199x500MM MG	System for 500mm (20")
OE-DWDS-SMW 199x550MM MG	System for 550mm (22")

CLASSIC FIT - PVC CUTLERY ORGANIZERS New



OK-CT-N 900MM MG
(Available without divider)
Size (mm) :
830 x 485 x 50 (WxDxH)



OK-CT-N 800MM MG
(Available without divider)
Size (mm) :
740 x 485 x 50 (WxDxH)



OK-CT-N 700MM MG
(Available without divider)
Size (mm) :
640 x 485 x 50 (WxDxH)



OK-CT-N 600MM MG
(Available with divider)
Size (mm) :
530 x 485 x 50 (WxDxH)



OK-CT-N 450MM MG
(Available with divider)
Size (mm) :
380 x 485 x 50 (WxDxH)

Compatible with Slim & Regular Ergotec Drawer Systems

SS CUTLERY TRAY



OK-CT-SS-01 500MM SSS
Size (mm) : 103 x 472 x 65 (WxDxH)



OK-CT-SS-02 500MM SSS
Size (mm) : 280 x 472 x 65 (WxDxH)



OK-CT-SS-03 500MM SSS
Size (mm) : 380 x 472 x 65 (WxDxH)



OK-CT-SS-04 500MM SSS
Size (mm) : 535 x 472 x 65 (WxDxH)



OK-CT-SS-05 500MM SSS
Size (mm) : 810 x 472 x 65 (WxDxH)

Key Features:

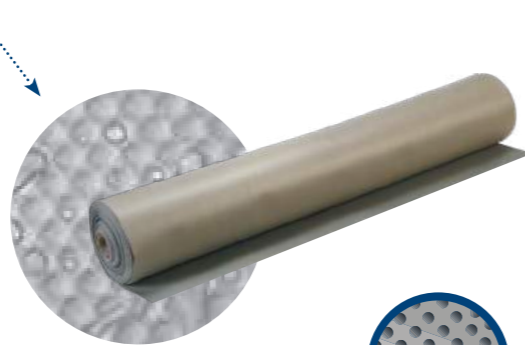
- Made of Stainless steel 304 with plastic end covers
- Convenient way of storing cutlery
- Space Saving with Elegant design
- For carcass external depth 500mm
- Various arrangements are possible in a drawer

Compatible with Regular Ergotec Drawer Systems

DRAWER MAT



Compatible with Slim & Regular Ergotec Drawer Systems



OK-ASM 500x2000MM GREY
OK-ASM 500x4000MM GREY

Width: 500mm
Available in 2 mtr & 4 mtr

HORIZONTAL & VERTICAL DIVIDING PANEL



Compatible with Regular Ergotec Drawer Systems

- Both horizontal and vertical dividing panels are fitted with appropriate end fittings
- Must be used in conjunction with double wall high metal drawer sides

Item Code	Description	Products
OE-DWDS-PA-HDP-G 1100MM MG	Works in conjunction with glass clip set	
OE-DWDS-PA-HDP-M 1100MM MG	Fixed with metal hanging panel (OE-DWDS-SSE-R)	
OE-DWDS-PA-VDP STD MG	Vertical divide panel	

INTER DIVIDING GALLERY RAIL KITS

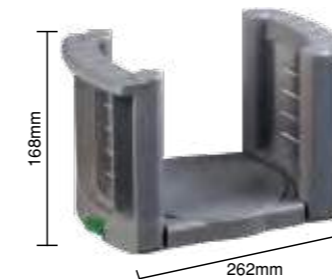


Compatible with Regular Ergotec Drawer Systems

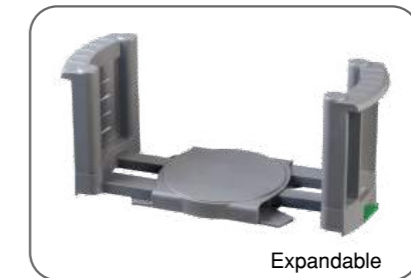
Item Code	Description	Product
OE-DWDS-PA-RL 1100MM MG	Horizontal/Transversal Rail	
OE-DWDS-PA-TC STD GREY	T-Connector	
OE-DWDS-PA-CC STD GREY	Connecting clip	
OE-DWDS-PA-EC STD GREY	End cap	

- Cross Railing available in 1100mm size with T or L connectors
- Quantity can be ordered as per the requirement

ADJUSTABLE DISH ORGANIZERS



OK-APH-SS STD GREY
Adjustable Dish Holder



Expandable

Compatible with Slim & Regular Ergotec Drawer Systems

PANTRY UNITS WITH SQUARE RAIL

- Ergotec Pantry Unit's inner drawers can be installed at any height as per your choice
- Simply take one of our Ergotec standard 84 mm drawer set and with addition of Pantry Drawer Front Set turn your cabinet into Pantry/Ladder Unit

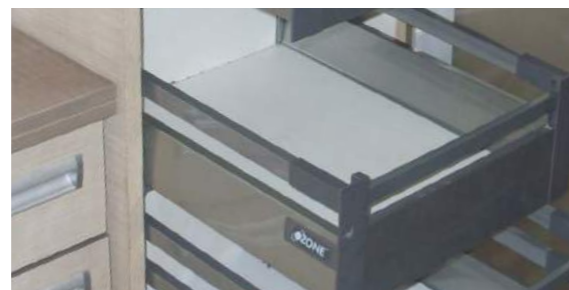


How to Order

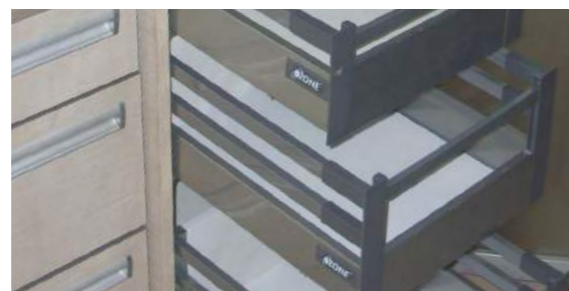
Item Code	Detail	Standard Height (84mm, Length 500mm)	Medium Height (135mm, Length 500mm)	Tall Height (199mm, Length 500mm)
OE-PU-FP 1100MM MG	Front panel 1100mm	01 PC (as per length requirement)	01 PC (as per length requirement)	01 PC (as per length requirement)
OE-PU-FB 84MM MG	Front bracket 84mm	01 set	-	-
OE-DWDS-ACC-BB 84MM MG	Back bracket 84mm	01 set	-	-
OE-DWDS-W/O-BB 500MM MG	Metal walls & L/R sliding channel-500mm	01 set	01 set	01 set
OE-PU-FB 135MM MG	Front bracket 135mm	-	01 set	-
OE-DWDS-ACC-BB 135MM MG	Back bracket 135mm	-	01 set	-
OE-PU-RLSQ 500MM MG	Single SQUARE rail gallery 500mm	-	01 set	01 set
OE-PU-FHSQ 1100MM MG	Square front handle 1100mm	-	01 PC (as per length requirement)	01 PC (as per length requirement)
OE-PU-FB 230MM MG	Front bracket 230mm	-	-	01 set
OE-DWDS-ACC-BB 199MM MG	Back bracket-199mm	-	-	01 set
OE-PU-RLSQ-D 500MM MG	Double SQUARE rail gallery 500mm	-	-	01 set



Standard Height Drawer



Medium Height Drawer



Large Height Drawer

PANTRY UNITS WITH ROUND RAIL

- Ergotec Pantry Unit's inner drawers can be installed at any height as per your choice
- Simply take one of our Ergotec standard 84 mm drawer set and with addition of Pantry Drawer Front Set turn your cabinet into Pantry/Ladder Unit



How to Order

Item Code	Detail	Standard Height (84mm, Length 500mm)	Medium Height (135mm, Length 500mm)	Tall Height (199mm, Length 500mm)
OE-PU-FP 1100MM MG	Front panel 1100mm	01 PC (as per length requirement)	01 PC (as per length requirement)	01 PC (as per length requirement)
OE-PU-FB 84MM MG	Front bracket 84mm	01 set	-	-
OE-DWDS-ACC-BB 84MM MG	Back bracket 84mm	01 set	-	-
OE-DWDS-W/O-BB 500MM MG	Metal walls & L/R sliding channel-500mm	01 set	01 set	01 set
OE-PU-FB 135MM MG	Front bracket 135mm	-	01 set	-
OE-DWDS-ACC-BB 135MM MG	Back bracket 135mm	-	01 set	-
OE-DWDS-RL 500MM MG	Single ROUND rail gallery 500mm	-	01 set	01 set
OE-PU-FHSQ 1100MM MG	Square front handle 1100mm	-	01 PC (as per length requirement)	01 PC (as per length requirement)
OE-PU-FB 230MM MG	Front bracket 230mm	-	-	01 set
OE-DWDS-ACC-BB 199MM MG	Back bracket-199mm	-	-	01 set
OE-DWDS-RL-D 500MM MG	Double ROUND rail gallery 500mm	-	-	01 set



Standard Height Drawer



Medium Height Drawer



Large Height Drawer

UNDERMOUNT SOFT CLOSE SLIDES FOR WIRE BASKET



- Soft Close
- Full Extension
- Weight Carrying Capacity: 35kg
- Finish Available: Zinc



Accessories



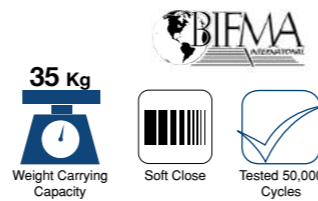
Set of 8 Pcs.

Item Code	Description
OE-UMS-SC-FE-11 450MM-18" ZINC	18" Full Extension Soft Close Drawer Slide
OE-UMS-SC-FE-11 500MM-20" ZINC	20" Full Extension Soft Close Drawer Slide

UNDERMOUNT SOFT CLOSE SLIDES



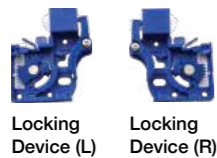
- Soft Close
- Full Extension
- Weight Carrying Capacity: 35kg
- Finish Available: Zinc
- 48 Hours Salt Spray Tested



Item Code	Description
OE-UMS-SC-FE-D 300MM-12" ZINC	12" Full Extension Soft Close Drawer Slide
OE-UMS-SC-FE-D 350MM-14" ZINC	14" Full Extension Soft Close Drawer Slide
OE-UMS-SC-FE-D 400MM-16" ZINC	16" Full Extension Soft Close Drawer Slide
OE-UMS-SC-FE-D 450MM-18" ZINC	18" Full Extension Soft Close Drawer Slide
OE-UMS-SC-FE-D 500MM-20" ZINC	20" Full Extension Soft Close Drawer Slide
OE-UMS-SC-FE-D 550MM-22" ZINC	22" Full Extension Soft Close Drawer Slide
OE-UMS-SC-FE-D 600MM-24" ZINC	24" Full Extension Soft Close Drawer Slide



Scan QR for Installation Video

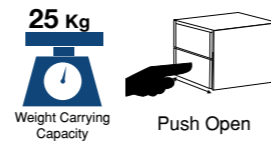


Locking Device (L) Locking Device (R)

UNDERMOUNT PUSH OPEN SLIDES



- Push Open
- Partial Extension Slide
- Weight Carrying Capacity: 25kg



Item Code	Description
OZ-CR-SE-PO 300MM-12" ZINC	12" Partial Extension Slide
OZ-CR-SE-PO 350MM-14" ZINC	14" Partial Extension Slide
OZ-CR-SE-PO 400MM-16" ZINC	16" Partial Extension Slide
OZ-CR-SE-PO 450MM-18" ZINC	18" Partial Extension Slide
OZ-CR-SE-PO 500MM-20" ZINC	20" Partial Extension Slide
OZ-CR-SE-PO 550MM-22" ZINC	22" Partial Extension Slide
OZ-CR-SE-PO 600MM-24" ZINC	24" Partial Extension Slide



OZ-CR-SE-PO Locking Pin

SOFT CLOSE BALL BEARING SLIDES



- Soft Close
- Full Extension
- Weight Carrying Capacity: 45kg
- Finish Available: Zinc
- 48 Hours Salt Spray Tested

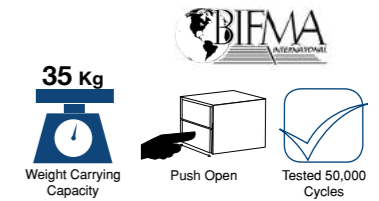


Item Code	Description
OBBS-4511SC 300MM-12" ZINC	12" Full Extension Soft Close Drawer Slide
OBBS-4511SC 350MM-14" ZINC	14" Full Extension Soft Close Drawer Slide
OBBS-4511SC 400MM-16" ZINC	16" Full Extension Soft Close Drawer Slide
OBBS-4511SC 450MM-18" ZINC	18" Full Extension Soft Close Drawer Slide
OBBS-4511SC 500MM-20" ZINC	20" Full Extension Soft Close Drawer Slide
OBBS-4511SC 550MM-22" ZINC	22" Full Extension Soft Close Drawer Slide
OBBS-4511SC 600MM-24" ZINC	24" Full Extension Soft Close Drawer Slide

PUSH OPEN BALL BEARING SLIDES



- Push Open
- Full Extension
- Weight Carrying Capacity: 35kg
- Finish Available: Zinc
- 24 Hours Salt Spray Tested



Item Code	Description
OBBS-4511PO 300MM 12" ZINC	12" Full Extension Drawer Slide
OBBS-4511PO 350MM 14" ZINC	14" Full Extension Drawer Slide
OBBS-4511PO 400MM 16" ZINC	16" Full Extension Drawer Slide
OBBS-4511PO 450MM 18" ZINC	18" Full Extension Drawer Slide
OBBS-4511PO 500MM-20" ZINC	20" Full Extension Drawer Slide
OBBS-4511PO 550MM 22" ZINC	22" Full Extension Drawer Slide
OBBS-4511PO 600MM 24" ZINC	24" Full Extension Drawer Slide

SS 304 FULL EXTENSION BALL BEARING SLIDES



S Series
Premium Collection of Architectural Hardware

- Full Extension
- Weight Carrying Capacity: 45kg
- Finish Available: Stainless Steel
- 300 Hours Salt Spray Tested



Item Code	Description
OBBS-4511-304S 350MM-14" SS	14" Full Extension Ball Bearing Slide
OBBS-4511-304S 400MM-16" SS	16" Full Extension Ball Bearing Slide
OBBS-4511-304S 450MM-18" SS	18" Full Extension Ball Bearing Slide
OBBS-4511-304S 500MM-20" SS	20" Full Extension Ball Bearing Slide
OBBS-4511-304S 550MM-22" SS	22" Full Extension Ball Bearing Slide



SS 304 Fixing Screws (12 No's) provided with packing

STANDARD BALL BEARING SLIDES

- Full Extension
- Weight Carrying Capacity: 45kg
- Finishes Available: Zinc & Black
- 48 Hours Salt Spray Tested



Item Code	Description
OBBS-4511 200MM-8" ZINC	8" Ball Bearing Drawer Slide
OBBS-4511 250MM-10" ZINC	10" Ball Bearing Drawer Slide
OBBS-4511 300MM-12" ZINC	12" Ball Bearing Drawer Slide
OBBS-4511 350MM-14" ZINC	14" Ball Bearing Drawer Slide
OBBS-4511 400MM-16" ZINC	16" Ball Bearing Drawer Slide
OBBS-4511 450MM-18" ZINC	18" Ball Bearing Drawer Slide
OBBS-4511 500MM-20" ZINC	20" Ball Bearing Drawer Slide
OBBS-4511 550MM-22" ZINC	22" Ball Bearing Drawer Slide
OBBS-4511 600MM-24" ZINC	24" Ball Bearing Drawer Slide
OBBS-4511 650MM-26" ZINC	26" Ball Bearing Drawer Slide
OBBS-4511 700MM-28" ZINC	28" Ball Bearing Drawer Slide
OBBS-4511 750MM-30" ZINC	30" Ball Bearing Drawer Slide
OBBS-4511 900MM 36" ZINC	36" Ball Bearing Drawer Slide



Black finish available on request

E-SERIES BALL BEARING SLIDES



- Full Extension
- Weight Carrying Capacity: 35kg
- Finishes Available: Zinc & Black
- 24 Hours Salt Spray Tested



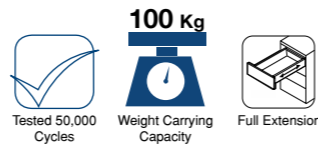
Item Code	Description
OBBS-4511-E35 200MM-8" ZINC	8" Full Extension Drawer Slide
OBBS-4511-E35 250MM-10" ZINC	10" Full Extension Drawer Slide
OBBS-4511-E35 300MM-12" ZINC	12" Full Extension Drawer Slide
OBBS-4511-E35 350MM-14" ZINC	14" Full Extension Drawer Slide
OBBS-4511-E35 400MM-16" ZINC	16" Full Extension Drawer Slide
OBBS-4511-E35 450MM-18" ZINC	18" Full Extension Drawer Slide
OBBS-4511-E35 500MM-20" ZINC	20" Full Extension Drawer Slide
OBBS-4511-E35 550MM-22" ZINC	22" Full Extension Drawer Slide
OBBS-4511-E35 600MM-24" ZINC	24" Full Extension Drawer Slide



Black finish available on request

HEAVY DUTY BALL BEARING SLIDES

- Full Extension
- Weight Carrying Capacity: 100kg
- Finish Available: Zinc



Item Code	Description
OBBS-FE-100HD 750MM-30" ZINC	30" Full Extension Heavy Duty Ball Bearing Slides
OBBS-FE-100HD 900MM-36" ZINC	36" Full Extension Heavy Duty Ball Bearing Slides



AIR HINGE New

- Opening Angle: 105°
- Door Thickness: 18-32mm
- Finish: Titanium Black
- 3D Adjustment



OZ-WB-AH-3D 25KG T-BLACK



Air Hinge Connector



OZ-WB-AH-ACC STD ZINC

SOFT CLOSE CLIP-ON 3D ADJ. HINGE WITH LINEAR MOUNTING PLATE & COVER CAP New

- Opening Angle: 105°
- Door Thickness: 14-22mm
- 3D Adjustment
- Finish: Titanium Black
- 50,000 Cycle Tested
- 24 hrs Salt Spray Tested



OEC451LN-A2S-SC 3D T-BLACK
OEC451LN-B2S-SC 3D T-BLACK
OEC451LN-C2S-SC 3D T-BLACK

SOFT CLOSE CLIP-ON SS 304 HINGE WITH 4 HOLE MOUNTING PLATE New

- Opening Angle: 100-105°
- Door Thickness: 15-20mm
- SS 304 Material
- Finish: Stainless Steel
- 80,000 Cycle Tested
- 72 hrs Salt Spray Tested



OEC451-304S-A4S-SC STD SSS
OEC451-304S-B4S-SC STD SSS
OEC451-304S-C4S-SC STD SSS

SOFT CLOSE CLIP-ON 3D ADJ. HINGE WITH 3 HOLE MOUNTING PLATE New

- Opening Angle: 100°
- Door Thickness: 14-20mm
- 3D Adjustment
- Finish: Nickel Plated
- 50,000 Cycle Tested
- 48 hrs Salt Spray Tested



OEC451-A3S-SC 3DA NP
OEC451-B3S-SC 3DA NP
OEC451-C3S-SC 3DA NP

SOFT CLOSE CLIP-ON 3D ADJ. HINGE WITH 2 HOLE MOUNTING PLATE

- Opening Angle: 100°
- Door Thickness: 14-24mm
- 3D Adjustment
- Finish: Nickel Plated
- 40,000 Cycle Tested
- 48 hrs Salt Spray Tested



OEC451-A2S-SC 3DA NP
* OEC451-A2S-SCN 3DA NP



OEC451-B2S-SC 3DA NP
* OEC451-B2S-SCN 3DA NP



OEC451-C2S-SC 3DA NP
* OEC451-C2S-SCN 3DA NP

* Note: Above codes are not inclusive of Cover Caps & Screws

SOFT CLOSE CLIP-ON HINGE WITH 4 HOLE MOUNTING PLATE & COVER CAP

- Opening Angle: 105°
- Door Thickness: 14-22mm

- Soft Close Clip-on
- Finish: Nickel Plated

- 50,000 Cycle Tested
- 48 hrs Salt Spray Tested



OEC451-A4S-SC C0 NP
* OEC451-A4S-SCN C0 NP



OEC451-B4S-SC C8 NP
* OEC451-B4S-SCN C8 NP



OEC451-C4S-SC C15 NP
* OEC451-C4S-SCN C15 NP

* Note: Above codes are not inclusive of cover caps & screws

SOFT CLOSE CLIP-ON HINGE WITH 2 HOLE MOUNTING PLATE & COVER CAP

- Opening Angle: 95°
- Door Thickness: 14-24mm

- Soft Close Clip-on
- Finish: Nickel Plated

- 40,000 Cycle Tested
- 48 hrs Salt Spray Tested



OEC451-A2S-SC C0 NP
* OEC451-A2S-SCN C0 NP



OEC451-B2S-SC C8 NP
* OEC451-B2S-SCN C8 NP



OEC451-C2S-SC C15 NP
* OEC451-C2S-SCN C15 NP

* Note: Above codes are not inclusive of cover caps & screws

SOFT CLOSE CLIP-ON THICK DOOR HINGE WITH 2 HOLE MOUNTING PLATE

- Opening Angle: 95°
- Door Thickness: 16-30mm

- Thick Door Hinge
- Finish: Nickel Plated

- 50,000 Cycle Tested
- 24 hrs Salt Spray Tested



OEC501-A2S-SC C0 NP



OEC501-B2S-SC C8 NP



OEC501-C2S-SC C15 NP

SOFT CLOSE SCREW-ON HINGE WITH 4 HOLE MOUNTING PLATE

- Opening Angle: 105°
- Door Thickness: 14-22mm

- Soft Close Screw-on
- Finish: Nickel Plated

- 50,000 Cycle Tested
- 48 hrs Salt Spray Tested



OEC451-SO-A4S-SC C0 NP



OEC451-SO-B4S-SC C8 NP



OEC451-SO-C4S-SC C15 NP

SOFT CLOSE SCREW-ON HINGE WITH 2 HOLE MOUNTING PLATE

- Opening Angle: 105°
- Door Thickness: 14-22mm

- Soft Close Screw-on
- Finish: Nickel Plated

- 50,000 Cycle Tested
- 48 hrs Salt Spray Tested



OEC451-SO-A2S-SC C0 NP



OEC451-SO-B2S-SC C8 NP



OEC451-SO-C2S-SC C15 NP

AUTO CLOSE CLIP-ON HINGE WITH 2 HOLE MOUNTING PLATE

- Opening Angle: 110°
- Door Thickness: 14-24mm

- Auto Close Clip-on
- Finish: Nickel Plated

- 50,000 Cycle Tested
- 24 hrs Salt Spray Tested



OEC476-A2S C0 NP



OEC476-B2S C8 NP



OEC476-C2S C15 NP

E-SERIES AUTO CLOSE CLIP-ON HINGE WITH 2 HOLE MOUNTING PLATE



- Opening Angle: 110°
- Door Thickness: 14-22mm

- E-Series Auto Close Clip-on
- Finish: Nickel Plated

- 50,000 Cycle Tested
- 48 hrs Salt Spray Tested



EC351-CO-A2S C0 NP



EC351-CO-B2S C8 NP



EC351-CO-C2S C15 NP

AUTO CLOSE SCREW-ON HINGE WITH 4 HOLE MOUNTING PLATE & COVER CAP

- Opening Angle: 110°
- Door Thickness: 14-22mm

- Auto Close Screw-on
- Finish: Nickel Plated

- 50,000 Cycle Tested
- 48 hrs Salt Spray Tested



EC351-A4S C0 NP



EC351-B4S C8 NP



EC351-C4S C15 NP

E-SERIES AUTO CLOSE SCREW-ON HINGE WITH 4 HOLE MOUNTING PLATE **E** Series

- Opening Angle: 110°
- Door Thickness: 14-22mm



EC351-SO-A4S C0 NP

- Auto Close Screw-on
- Finish: Nickel Plated



EC351-SO-B4S C8 NP

- 50,000 Cycle Tested
- 48 hrs Salt Spray Tested



EC351-SO-C4S C15 NP

AUTO CLOSE SCREW-ON HINGE WITH 2 HOLE MOUNTING PLATE & COVER CAP

- Opening Angle: 110°
- Door Thickness: 14-22mm



EC351-A2S C0 NP

- Auto Close Screw-on
- Finish: Nickel Plated



EC351-B2S C8 NP

- 40,000 Cycle Tested
- 48 hrs Salt Spray Tested



EC351-C2S C15 NP

AUTO CLOSE SCREW-ON THICK DOOR HINGE WITH 2 HOLE MOUNTING PLATE

- Opening Angle: 95°
- Door Thickness: 20-28mm



EC401-A2S C0 NP

- Thick Door Hinge
- Finish: Nickel Plated



EC401-B2S C8 NP

- 50,000 Cycle Tested
- 48 hrs Salt Spray Tested



EC401-C2S C15 NP

E-SERIES AUTO CLOSE SCREW-ON HINGE WITH 2 HOLE MOUNTING PLATE **E** Series

- Opening Angle: 110°
- Door Thickness: 14-22mm



EC351-SO-A2S C0 NP

- E-Series Auto Close Screw-on
- Finish: Nickel Plated



EC351-SO-B2S C8 NP

- 50,000 Cycle Tested
- 48 hrs Salt Spray Tested



EC351-SO-C2S C15 NP

SOFT CLOSE CLIP-ON WIDE ANGLE HINGE WITH 2 HOLE MOUNTING PLATE

- Opening Angle: 165°
- Door Thickness: 14-24mm



OEC170-SC-A2S C0 NP

- Wide Angle Hinge
- Finish: Nickel Plated



OEC170-SC-B2S C8 NP

- 50,000 Cycle Tested
- 48 hrs Salt Spray Tested



OEC170-SC-C2S C15 NP

AUTO CLOSE SCREW-ON WIDE ANGLE HINGE WITH 2 HOLE MOUNTING PLATE

- Opening Angle: 165°
- Door Thickness: 14-24mm



OEC352-A2S C0 NP

- Wide Angle Hinge
- Finish: Nickel Plated



OEC352-B2S C8 NP

- 50,000 Cycle Tested
- 48 hrs Salt Spray Tested



OEC352-C2S C15 NP

SOFT CLOSE SCREW-ON BLIND CORNER HINGE WITH 2 HOLE MOUNTING PLATE & COVER CAP

- Opening Angle: 90°
- Door Thickness: 14-24mm



OEC451-G2S-SC STD NP

- Blind Corner Hinge
- Finish: Nickel Plated

- 50,000 Cycle Tested
- 24 hrs Salt Spray Tested

AUTO CLOSE SCREW-ON BLIND CORNER HINGE WITH 2 HOLE MOUNTING PLATE

- Opening Angle: 100°
- Door Thickness: 14-24mm



OEC35-G2S STD NP

- Blind Corner Hinge
- Finish: Nickel Plated

- 40,000 Cycle Tested
- 48 hrs Salt Spray Tested

AUTO CLOSE CLIP-ON 19MM AL. PROFILE HINGE WITH 2 HOLE MOUNTING PLATE & COVER CAP

- Opening Angle: 95°
- Al. Profile Size: 19-25mm

- 19mm Al. Profile Hinge
- Finish: Nickel Plated

- 50,000 Cycle Tested
- 24 hrs Salt Spray Tested



OEC430-A2S-AL C0 NP



OEC430-B2S-AL C8 NP



OEC430-C2S-AL C15 NP

AUTO CLOSE SCREW-ON 30°/ 45° FACE ANGLE HINGE WITH 2 HOLE MOUNTING PLATE & COVER CAP

- Opening Angle: 95°
- Door Thickness: 14-22mm

- Special Face Angle Hinge
- Finish: Nickel Plated

- 40,000 Cycle Tested
- 24 hrs Salt Spray Tested



30° Face Angle

OEC35-F2S STD NP



45° Face Angle

OEC35-E2S STD NP

AUTO CLOSE SCREW-ON PIE CORNER HINGE WITH 2 HOLE MOUNTING PLATE

- Opening Angle: 135°
- Door Thickness: 14-24mm

- Pie Corner Hinge
- Finish: Nickel Plated

- 50,000 Cycle Tested
- 48 hrs Salt Spray Tested



OEC35-H2S STD NP

AUTO CLOSE SCREW-ON SHORT ARM HINGE WITH 4 HOLE MOUNTING PLATE



- Opening Angle: 95°
- Door Thickness: 15-18mm

- Short Arm Hinge
- Finish: Nickel Plated

- 50,000 Cycle Tested
- 24 hrs Salt Spray Tested



EC351-SA-A4S C0 NP

BOTTLE PULL-OUT



Code	Cabinet Size
OK-BPO-02-L 150MM CP	150mm
OK-BPO-02-R 150MM CP	150mm

Note: Supplied along with slides

WICKER BASKETS (PVC)



Note: Supplied along with wooden slides

Item Code	Size
OZ-EK-WB 450x100MM BEIGE	414 X 508 X 100
OZ-EK-WB 450x150MM BEIGE	414 X 508 X 150
OZ-EK-WB 450x200MM BEIGE	414 X 508 X 200
OZ-EK-WB 600x100MM BEIGE	564 X 508 X 100
OZ-EK-WB 600x150MM BEIGE	564 X 508 X 150
OZ-EK-WB 600x200MM BEIGE	564 X 508 X 200

MULTI-PURPOSE PULL-OUT



Code	Cabinet Size
OK-BPO-02-L 200MM CP	200mm
OK-BPO-02-R 200MM CP	200mm
OK-BPO-02-L 300MM CP	300mm
OK-BPO-02-R 300MM CP	300mm

Note: Supplied along with slides

WICKER BASKETS (BEECH WOOD)



Note: Supplied along with wooden slides

Item Code	Size
OZ-EK-BWB 450x200MM BEECHW	414 X 508 X 200
OZ-EK-BWB 600x200MM BEECHW	564 X 508 X 200

ROLLER SHUTTER SYSTEMS



OE-RS-M 600x1400MM SILVER
600x1400mm (WxH)
Material: PVC
Finish: Silver



OE-RS-G 600x1400MM BLACK
600x1400mm (WxH)
Material: Glass
Finish: Black



OE-RS-G 600x1400MM WHITE
600x1400mm (WxH)
Material: Glass
Finish: White



OE-RS-G 600x1400MM FROSTED
600x1400mm (WxH)
Material: Glass
Finish: Frosted

KITCHEN TALL UNIT- PANTRY PULL-OUT



- Silent Mechanism
- Adjustable frame height
- Available in 2 different cabinet width i.e. 450 & 600mm
- Available in 2 different adjustable height
 - 1150-1410mm
 - 1900-2160mm



Scan QR for Installation Video

Available Sizes:

Item Code	Cabinet Size
OK-TU-F-02-8B 450MM SILVER OK-TU-B-02-8B 450MM CP	450mm(W) (4+4) Basket & Frames
OK-TU-F-02-8B 600MM SILVER OK-TU-B-02-8B 600MM CP	600mm(W) (4+4) Basket & Frames
OK-TU-F-02-12B 450MM SILVER OK-TU-B-02-12B 450MM CP	450mm(W) (6+6) Basket & Frames
OK-TU-F-02-12B 600MM SILVER OK-TU-B-02-12B 600MM CP	600mm(W) (6+6) Basket & Frames

CORNER ORGANIZERS

S Carousel



Scan QR for Installation Video

Code	Cabinet Size
OK-SC-02-R 900MM CP	900mm Right Mechansim
OK-SC-02-L 900MM CP	900mm Left Mechansim

Magic Corner



Scan QR for Installation Video

Code	Cabinet Size
OK-MCB 900MM SSS	900mm Basket
OK-MCF-L 900MM SSS	900mm Left Frame
OK-MCF-R 900MM SSS	900mm Right Frame

SS DISH RACK WITH DRAIN TRAY



Code	Cabinet Size
OK-DR-N 600MM SSS	600mm
OK-DR-N 800MM SSS	800mm
OK-DR-N 900MM SSS	900mm

EXTENDED TABLE-3 TYPES



OE-PUTE-1L STD SSS
Width Panel Size: 600-1200mm
Internal Minimum Drawer Size:
Height-170mm Depth-460mm



OE-PUTE-2 STD SSS
Width Panel Size: 600-1200mm
Internal Minimum Drawer Size:
Height-146mm Depth-550mm



OE-PUTE-3 STD SSS
Width Panel Size: 600-1200mm
Internal Minimum Drawer Size:
Height-135mm Depth-540mm

KITCHEN TRASH BINS



- OZ-POB-2 STD GREY**
- Pull Out Trash Compartment bins
 - It is Base mounted Bin.
 - Size (mm): 345x480x415 (WxDxH)
 - Bin capacity: 40L (20Lx2)
 - Max Weight Carrying Capacity: 25kg



- OZ-POB-3 STD GREY**
- Pull Out Trash Compartment bins
 - It is Base mounted Bin.
 - Size (mm): 345x480x415 (WxDxH)
 - Bin capacity: 40L (20Lx1 & 10Lx2)
 - Max Weight Carrying Capacity: 25kg



- OK-RB 14L SSS**
- Swing Out Trash Bin
 - It is hinge shutter mounted bin.
 - Size (mm): 295x319x363 (WxDxH)
 - Bin capacity: 14L

ALUMINIUM SKIRTING



Square/Flexi Corner Connector
OK-SK-100 3M SSS
OK-SK-150 3M SSS



PVC Skirting with Aluminium Foil
Length: 3mtr
Finish: SSS



Flexible Connector
OK-SK-ACC 100MM SSS
OK-SK-ACC 150MM SSS



Flexible Connectors with bottom plastic seal
Height: 100mm & 150mm
Finish: SSS

CABINET LEGS WITH CLIPS



OK-ALC 150MM BLACK
Adjustable Leg with Clip
Set= 4Legs+2Clips



OK-ALC 100MM BLACK
Adjustable Leg with Clip
Set= 4Legs+2Clips



OK-ALC-ACC-RC STD BLACK
Adjustable Legs Clip
500Pcs in one Pkt.

HEAVY DUTY BI-FOLD LIFT UP SYSTEM - SOFT CLOSE New

OK-LU-BF-HD STD GREY
Ideal for higher wall cabinets

Carcas Details:

Width	Height	Max. Weight
600-1200mm	600-800mm	9.4Kg

Set comprises:

- Lift-up Mechanism with Cover: 01 pair
- Auto Close Hinges: 01 pair
- Center Hinges with Accessories

Power Adjustable



Note: Supplied with cabinet and center connecting hinges

90° OPENING HEAVY-DUTY LIFT-UP SYSTEM - 3D ADJUSTABLE SOFT CLOSE

Order no.	Max. Weight(kg)	Cabinet Width	Cabinet Height
OK-LU-90HD STD GREY	13.25	900-1800 mm	600-700 mm
OK-LU-90N STD GREY	6	600-1200 mm	500-600 mm
OK-LU-90N STD WH	6	600-1200 mm	500-600 mm

(Cabinet Hinges are not required)



Scan QR for Installation Video



Available in White Colour also against bulk order

PNEUMATIC GAS PUMPS



Product Code
OK-PP-01N 60N GREY
OK-PP-01N 80N GREY
OK-PP-01N 100N GREY
OK-PP-01N 120N GREY

PNEUMATIC GAS PUMPS

ALUMINIUM FRAME PROFILES FOR GLASS PANELS/SHUTTERS (Glass Thickness 4mm)

Image	Profile Type	Finish	Code
	45 mm Alu. Frame profile	Aluminium Anodized	OEAP-45F 3M AN
		Black Matt	OEAP-45F 3M BM
		Satin Stainless Steel	OEAP-45F 3M SS
		Champagne	OEAP-45F 3M CH
		Rose Gold Glossy	OEAP-45F 3M RGG
	45 mm H Alu. Handle profile	Aluminium Anodized	OEAP-45H 3M AN
		Black Matt	OEAP-45H 3M BM
		Satin Stainless Steel	OEAP-45H 3M SS
		Champagne	OEAP-45H 3M CH
		Rose Gold Glossy	OEAP-45H 3M RGG
	45 mm H2 Alu. Handle profile	Aluminium Anodized	OEAP-45H2 3M AN
		Black Matt	OEAP-45H2 3M BM
		Satin Stainless Steel	OEAP-45H2 3M SS
		Champagne	OEAP-45H2 3M CH
		Rose Gold Glossy	OEAP-45H2 3M RGG
	50mm Alu. Frame profile	Aluminium Anodized	OEAP-50F 3M AN
		Black Matt	OEAP-50F 3M BM
		Satin Stainless Steel	OEAP-50F 3M SS
		Champagne	OEAP-50F 3M CH
		Rose Gold Glossy	OEAP-50F 3M RGG
	50mm H Alu. Handle profile	Aluminium Anodized	OEAP-50H 3M AN
		Black Matt	OEAP-50H 3M BM
		Satin Stainless Steel	OEAP-50H 3M SS
		Champagne	OEAP-50H 3M CH
		Rose Gold Glossy	OEAP-50H 3M RGG

ALUMINIUM FRAME PROFILES FOR WOODEN PANELS/SHUTTERS

Image	Profile Type	Finish	Code
	G Handle profile (Groove-in)	Aluminium Anodized	OEAP-G 3M AN
		Black Matt	OEAP-G 3M BM
		Satin Stainless Steel	OEAP-G 3M SS
		Champagne	OEAP-G 3M CH
		Rose Gold Glossy	OEAP-G 3M RGG
	G2 Handle profile (Groove-in)	Aluminium Anodized	OEAP-G2 3M AN
		Black Matt	OEAP-G2 3M BM
		Satin Stainless Steel	OEAP-G2 3M SS
		Champagne	OEAP-G2 3M CH
		Rose Gold Glossy	OEAP-G2 3M RGG
	J Handle profile (Groove-in)	Aluminium Anodized	OEAP-J 3M AN
		Black Matt	OEAP-J 3M BM
		Satin Stainless Steel	OEAP-J 3M SS
		Champagne	OEAP-J 3M CH
		Rose Gold Glossy	OEAP-J 3M RGG

ALUMINIUM FRAME PROFILES FOR WOODEN PANELS/SHUTTERS

	BV-Handle profile (Groove-in)	Aluminium Anodized	OEAP-BV 3M AN
		Black Matt	OEAP-BV 3M BM
		Satin Stainless Steel	OEAP-BV 3M SS
		Champagne	OEAP-BV 3M CH
		Rose Gold Glossy	OEAP-BV 3M RGG
	SV-Handle profile (Groove-in)	Aluminium Anodized	OEAP-SV 3M AN
		Black Matt	OEAP-SV 3M BM
		Satin Stainless Steel	OEAP-SV 3M SS
		Champagne	OEAP-SV 3M CH
		Rose Gold Glossy	OEAP-SV 3M RGG
	F-Handle profile (Groove-in)	Aluminium Anodized	OEAP-F1 3M AN
		Black Matt	OEAP-F1 3M BM
		Satin Stainless Steel	OEAP-F1 3M SS
		Champagne	OEAP-F1 3M CH
		Rose Gold Glossy	OEAP-F1 3M RGG

KITCHEN GOLA PROFILE

Image	Profile Type	Finish	Code
	J Gola profile	Aluminium Anodized	OEAP-JG 3M AN
		Black Matt	OEAP-JG 3M BM
		Satin Stainless Steel	OEAP-JG 3M SS
		Champagne	OEAP-JG 3M CH
		Rose Gold Glossy	OEAP-JG 3M RGG
	C Gola profile	Aluminium Anodized	OEAP-CG 3M AN
		Black Matt	OEAP-CG 3M BM
		Satin Stainless Steel	OEAP-CG 3M SS
		Champagne	OEAP-CG 3M CH
	Vertical J Gola	Aluminium Anodized	OEAP-VJG 3M AN
		Black Matt	OEAP-VJG 3M BM
		Satin Stainless Steel	OEAP-VJG 3M SS
		Champagne	OEAP-VJG 3M CH
		Rose Gold Glossy	OEAP-VJG 3M RGG
	Vertical C Gola	Aluminium Anodized	OEAP-VCG 3M AN
		Black Matt	OEAP-VCG 3M BM
		Satin Stainless Steel	OEAP-VCG 3M SS
		Champagne	OEAP-VCG 3M CH
		Rose Gold Glossy	OEAP-VCG 3M RGG
	Wall Gola	Aluminium Anodized	OEAP-WG 3M AN
		Black Matt	OEAP-WG 3M BM
		Satin Stainless Steel	OEAP-WG 3M SS
		Champagne	OEAP-WG 3M CH
		Rose Gold Glossy	OEAP-WG 3M RGG

	Light Gola	Aluminium Anodized	OEAP-LG 3M AN
		Black Matt	OEAP-LG 3M BM
		Satin Stainless Steel	OEAP-LG 3M SS
		Champagne	OEAP-LG 3M CH
		Rose Gold Glossy	OEAP-LG 3M RGG
	Sink profile	Aluminium Anodized	OEAP-SINK 3M AN

END CAPS

Image	Item	Finish	Code
	End cap set for G2 handle profile Set=L+R	Aluminium Anodized	OEAP-ACC-EC-G2 STD AN
		Black Matt	OEAP-ACC-EC-G2 STD BM
	End cap set for J gola profile Set=L+R	Aluminium Anodized	OEAP-ACC-EC-JG STD AN
		Black Matt	OEAP-ACC-EC-JG STD BM
	End cap set for C gola profile Set=L+R	Aluminium Anodized	OEAP-ACC-EC-CG STD AN
		Black Matt	OEAP-ACC-EC-CG STD BM
	End cap set for Sink profile Set=L+R	Grey	OEAP-ACC-SINK-EC STD GREY

CONNECTORS

Image	Item	Finish	Code
	E90° connector for 45mm Glass Profile (Set=4x Connector + 16x Screws)	Zinc Plated	OEAP-ACC1 STD ZINC
	Special 90° connector for 50 mm Glass Profile (Set=4x Connector + 8x Screws)	Zinc Plated	OEAP-ACC2 STD ZINC
	L Cabinet Connector for J & C Gola Profiles (Set=4x Connector + 16x Screws)	Zinc Plated	OEAP-ACC3 STD ZINC

AVAILABLE FINISH


UNI-LINE WARDROBE SLIDING SYSTEM **New**



OE-WS-UNL-80 2.4M STD
OE-WS-UNL-80 3M STD

Features:

- High-end 2 door Wardrobe Sliding System
- Two shutters closes in the same line leaving NO gap
- Soft open and soft close
- Suitable to use on wooden as well as aluminum framed glass doors

Specifications:

- Can be used on doors weighing upto **80kg** each
- Suitable for Wardrobe width **2200mm - 3000mm**



Accessories	Qty.	3D Sketch
Upper Rail	1	
Down Rail	1	
Upper Runner Middle Regulator	2	
Upper Runner side Regulator	2	
Down runner middle Regulator	2	
Down runner side Regulator	2	
15-8 Spanner	1	
Side Spring	2	

*Check product details before placing order.

TOP GLIDE SYSTEM - 22 FOR TRIPLE DOORS WARDROBES



Specifications:

- Door Type: Wooden/Framed
- Application Type: 3 Doors
- Door Installation: Overlay
- Track Length: 3mtr



TOP GLIDE SYSTEM - 22 W (for Triple Wooden Doors)

Product Code	OE-WS-TG22W-TR-3D STD NP Top Roller Set	OE-WS-TG1A/22-BR-3D STD NP Bottom Roller Set	OE-WS-TG22-TT 3M AN Top Track 3mtr length	OE-WS-TG1A/22-BT 3M AN Bottom Track 3mtr length	OE-WS-TG22-SC STD GREY Common Soft Close Dampner for wooden and framed doors
Product Image					
Set Qty.	1 Set	1 Set	1 Pc. (Length)	1 Pc. (Length)	1 Set



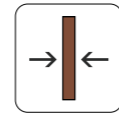
TOP GLIDE SYSTEM - 22 F (for Triple Framed Doors)

Product Code	OE-WS-TG22F-TR-3D STD NP Top Roller Set	OE-WS-TG1A/22-BR-3D STD NP Bottom Roller Set	OE-WS-TG22-TT 3M AN Top Track 3mtr length	OE-WS-TG1A/22-BT 3M AN Bottom Track 3mtr length
Product Image				
Set Qty.	1 Set	1 Set	1 Pc. (Length)	1 Pc. (Length)

TOP GLIDE SYSTEM 22 FOR DOUBLE DOORS WARDROBE



- Specifications:**
- Utilizes full inner space in the wardrobe
 - Tracks not visible
 - Door Installation: Overlay
 - Can be used for wardrobe width upto 10 feet
 - Track mounting: Top
 - Application type: Double Door



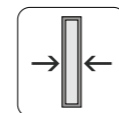
Door Thickness
18-28mm



50 Kg
Weight Carrying Capacity

TOP GLIDE SYSTEM - 22 W (for Wooden Doors)

Product Code	OE-WS-TG22W-TR STD NP Top Roller Set	OE-WS-TG1A/22-BR STD NP Bottom Roller Set	OE-WS-TG22-TT 3M AN Top Track 3mtr length	OE-WS-TG1A/22-BT 3M AN Bottom Track 3mtr length	OE-WS-TG22-SC STD GREY Common Soft Close Damper for wooden and framed doors
Product Image					
Set Qty.	1 Set	1 Set	1 Pc. (Length)	1 Pc. (Length)	1 Set



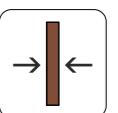
Door Thickness
18-22mm



50 Kg
Weight Carrying Capacity

TOP GLIDE SYSTEM - 22 F (for Framed Doors)

Product Code	OE-WS-TG22F-TR STD NP Top Roller Set	OE-WS-TG1A/22-BR STD NP Bottom Roller Set	OE-WS-TG22-TT 3M AN Top Track 3mtr length	OE-WS-TG1A/22-BT 3M AN Bottom Track 3mtr length
Product Image				
Set Qty.	1 Set	1 Set	1 Pc. (Length)	1 Pc. (Length)



Door Thickness
20-32mm

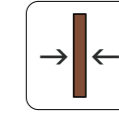


75 Kg
Weight Carrying Capacity

TOP GLIDE SYSTEM - 1 FOR DOUBLE DOOR WARDROBES



- Specifications:**
- Utilizes full inner space in the wardrobe
 - Tracks not visible
 - Door Installation: Inset
 - Track mounting: Top
 - Application type: Double Door



Door Thickness
18-24mm



50 Kg
Weight Carrying Capacity

INSET SLIDING SYSTEM - 1A (for Wooden Doors)

Product Code	OE-WS-TG1A-TR STD NP Top Roller Set	OE-WS-TG1A/22-BR STD NP Bottom Roller Set	OE-WS-TG1A-TT 3M AN Top Track 3mtr length	OE-WS-TG1A/22-BT 3M AN Bottom Track 3mtr length
Product Image				
Set Qty.	1 Set	1 Set	1 Pc. (Length)	1 Pc. (Length)

INSET SLIDING SYSTEM - 1B (for Wooden Doors)

Product Code	OE-WS-TG1B-TR STD BLACK Top Roller Set	OE-WS-TG1B-BR STD BLACK Bottom Roller Set	OE-WS-TG1B-TT 3M AN Top Track - 3mtr length	OE-WS-TG1B-BT 3M AN Bottom Track 3mtr length
Product Image				
Set Qty.	1 Set	1 Set	1 Pc. (Length)	1 Pc. (Length)

OZO LINE 65 BOTTOM GLIDE INSET WARDROBE SLIDING SYSTEM



- FEATURES:**
- Overlapping dual door system
 - Suitable to use with single track as well as double track
 - Superior spring mechanism for roller's better grip with track
 - Smooth functioning and long life
 - Soft closing and opening function (optional)

- SPECIFICATIONS:**
- Door type: Wooden
 - Application type: Dual door
 - Door Weight: upto **65Kg**.
 - Door Thickness: **18-25mm**



Fitting Details:

PRODUCT IMAGE	PRODUCT CODES
	OE-SL65-TBR STD GREY Top Roller- 04 Bottom Roller- 04 Stopper- 04 (2 Door Kits)
Tracks: 	OE-SL65-TBT 2M AN OE-SL65-TBT 2.4M AN OE-SL65-TBT 3M AN OE-SL65-TBT 3.6M AN Top & Bottom Double Track- 01 set
	OE-SL65-S-TBT 2.4M AN OE-SL65-S-TBT 3.6M AN Top & Bottom Single Track- 01 set
Optional Fitting: 	OE-SL65-SCD STD GREY Soft Close Dampener- 01 set

ECONOMY WARDROBE SLIDING SYSTEM



- Features:**
- Economy wardrobe sliding system
 - Common flush track for top & bottom
 - Tracks length are available in 2 mtr & 4 mtr

- Applications:**
- Best suitable for
- Overhead cabinets
 - Office cabinet
 - Small wardrobes

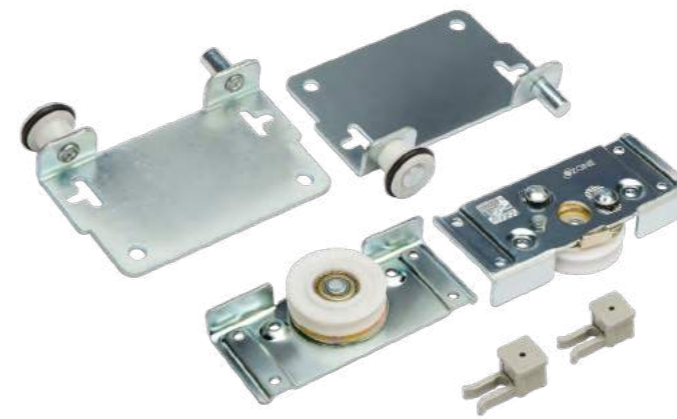
- Specifications:**
- Weight Carrying Capacity: **40Kg**
 - 50,000 life cycle tested
 - Door Thickness : **18-30mm**

- Fitting Set for 1 door consists**
- Top Rollers: 1 Set
 - Bottom Rollers: 1 Set
 - Stopper: 1 Set



OE-WS-BG1-E STD NP Top & Bottom Roller Set for Single Door	OE-WS-BG1-E-TRACK 2M AN OE-WS-BG1-E-TRACK 4M AN Top & Bottom Track

BOTTOM GLIDE SYSTEM



OE-WS-BG1-S STD NP
Top & Bottom Roller Set for Single Door

- Features:**
- Inset sliding shutters
 - Bottom dom track
 - Top & bottom rollers provide smooth sliding

- Specifications:**
- Door type: Wood
 - Application type: Dual door
 - Door Weight: upto **60 kg**
 - Door Thickness : **18-23mm**
 - Track mounting: Bottom
 - Track length: 2/3/4 mtr for double & single leaf doors

System consists fittings for Single Door

- Top Roller: 1 Set
- Bottom Roller: 1 Set
- Stopper: 2 Pcs



SOFT OPENING & CLOSING BOTTOM GLIDE SYSTEM



OE-WS-BG1-D-SCO STD NP
Top & Bottom Roller Set for Double Door

- Features:**
- 2 door overlap wardrobe sliding system with both side soft close mechanism
 - Ideal for door weight upto **60kg**

- Specifications:**
- 50,000 life cycle tested
 - Suitable for door thickness upto 18-23mm with double track & any thickness with single track

Fitting Set for 2 doors consists

- Top Roller: 2 sets
- Bottom Roller: 2 sets
- Soft Close & Soft Open Dampner: 4 pcs
- Door Thickness: **18-23mm**



SOFT CLOSE BOTTOM GLIDE SYSTEM



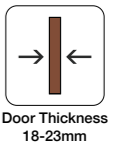
OE-WS-BG1-D-SC STD NP
Top & Bottom Roller Set for Double Door

- Features:**
- 2 door overlap wardrobe sliding system with both side soft close mechanism
 - Ideal for door weight upto **60kg**

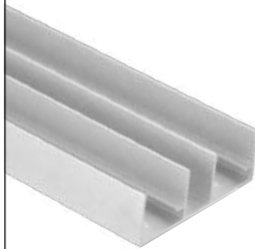
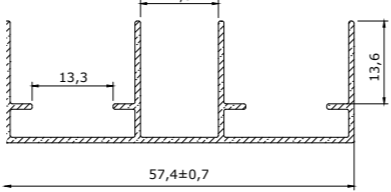

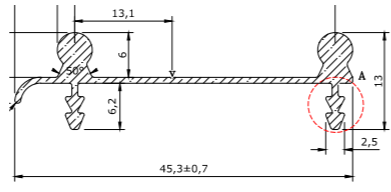

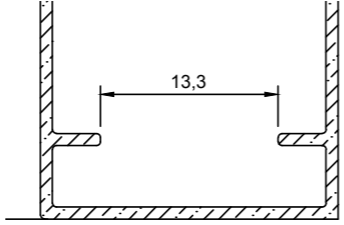
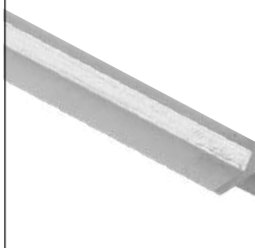
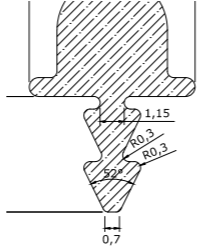
- Specifications:**
- 50,000 life cycle tested
 - Suitable for door thickness upto 18-23mm with double track & any thickness with single track

Fitting Set for 2 doors consists

- Top Roller: 2 Sets
- Bottom Roller: 2 Sets
- Soft Close Dampner: 2 Pcs
- Stopper: 2Pcs
- Door Thickness: **18-23mm**



TRACKS OPTIONS FOR BOTTOM GLIDE SYSTEMS

Product Code	Track Options	Drawing
OE-WS-BG1-TT 2M AN OE-WS-BG1-TT 3M AN OE-WS-BG1-TT 4M AN Top Track (separate cover for every length)		
OE-WS-BG1-BT 2M AN OE-WS-BG1-BT 3M AN OE-WS-BG1-BT 4M AN Bottom Track (separate cover for every length)		
OE-WS-BG1-S-TT 2M AN OE-WS-BG1-S-TT 3M AN OE-WS-BG1-S-TT 4M AN Top Track		
OE-WS-BG1-S-BT 2M AN OE-WS-BG1-S-BT 3M AN OE-WS-BG1-S-BT 4M AN Bottom Track		

SWIVEL SHOE RACK



OZ-WBA-SSR 6LYR ANTHGREY
Size: 700x360x1070-1270 (6 layers)
OZ-WBA-SSR 10LYR ANTHGREY
Size: 700x360x1630-1830 (10 layers)



PULL-OUT SHOE RACK



OZ-WBA-PSR 600MM ANTHGREY
OZ-WBA-PSR 900MM ANTHGREY



SUPPLIED WITH UNDER MOUNT
SOFT CLOSE RUNNER & RUNNER COVER



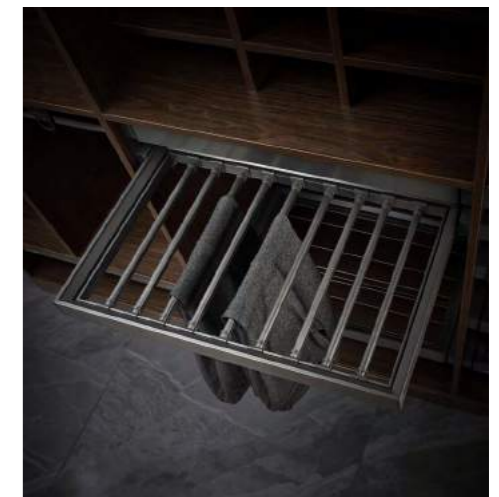
PULL-OUT TROUSER RACK



OZ-WBA-TR 600MM ANTHGREY
OZ-WBA-TR 900MM ANTHGREY



SUPPLIED WITH UNDER MOUNT
SOFT CLOSE RUNNER & RUNNER COVER



PULL-OUT HANGER-DOUBLE



OZ-WBA-DTR 900MM ANTHGREY
Size: 630X455X115



EQUIPPED WITH SOFT CLOSE RUNNER



PULL-OUT HANGER-SINGLE



OZ-WBA-STR 600MM ANTHGREY
Size: 340X455X114



EQUIPPED WITH SOFT CLOSE RUNNER



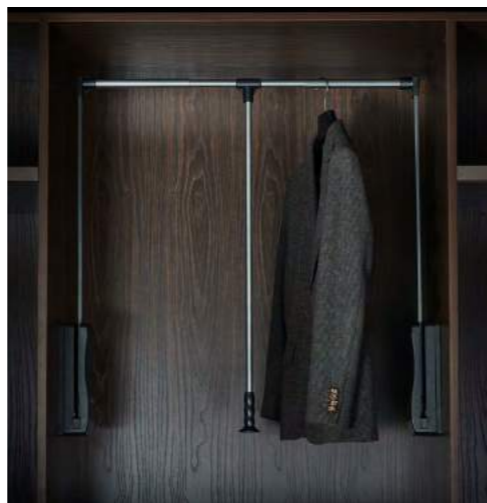
HANGER LID



OZ-WBA-01-HL STD ANTHGREY
Size: 830-1150MM
WCC-upto 15Kg



WITH INTEGRATED SOFT CLOSE MECHANISM



RATTAN BASKET



OZ-WBA-RB 600MM ANTHGREY
OZ-WBA-RB 900MM ANTHGREY



SUPPLIED WITH UNDER MOUNT
SOFT CLOSE RUNNER & RUNNER COVER



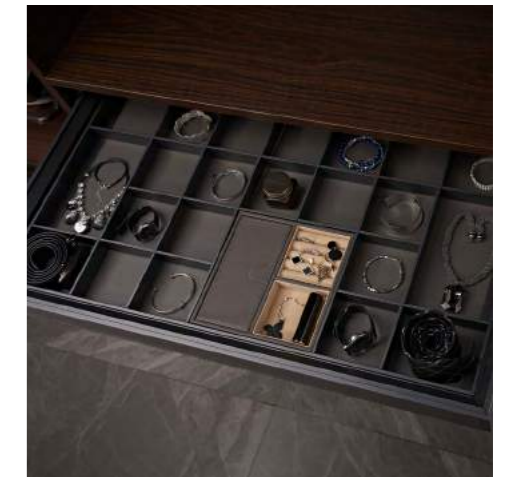
ASSORTMENT DRAWER



OZ-WBA-AB 600MM ANTHGREY
OZ-WBA-AB 900MM ANTHGREY



SUPPLIED WITH UNDER MOUNT
SOFT CLOSE RUNNER & RUNNER COVER



RECTANGULAR TUBE & WALL BRACKET



OZ-WBA-RR 3M ANTHGREY
Rectangular Rail
Cross Section: 30x12 MM
Finish: Metallic Grey



OZ-WB-ACC-BR STD ANTHGREY
Wall Bracket
12.7x24x40.5MM
Finish: Metallic Grey

VERTICAL FOLDABLE WALL MOUNT BED - WITH AUTOMATIC MECHANISM



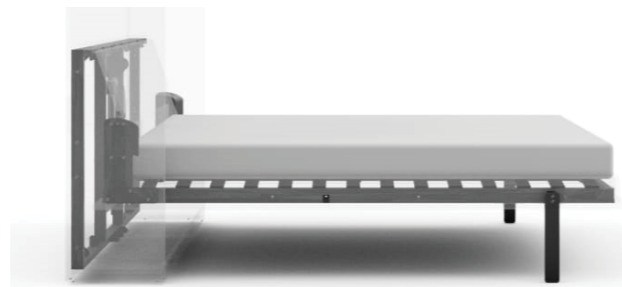
FOLD UP TO MAKE A SOFA



OZ-WBV-A-SF 1.2x2M STD

- Features:**
- Concealed wall bed design
 - Vertical foldable wall mount system
 - Motorized mechanism with remote option
 - Easy to open/close
 - Adds style, comfort & flexibility

Dimension:
1200mm*2000mm (W*L)



**Mattress is not included*

VERTICAL FOLDABLE WALL MOUNT BED - WITH AUTOMATIC MECHANISM



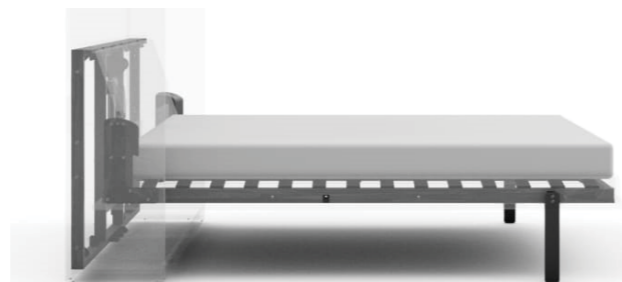
FOLD UP THE BED TO MAKE A WORKING TABLE



OZ-WBV-A-TB 1.2x2M STD

- Features:**
- Concealed wall bed design
 - Vertical foldable wall mount system
 - Motorized mechanism with remote option
 - Table available in vertical and horizontal options
 - Adds style, comfort & flexibility

Dimension:
1200mm*2000mm (W*L)



**Mattress is not included*

HEAVY DUTY BED LIFT-UP SYSTEM

New



PRO SERIES

- Features:**
- New improved design for better stability in operation
 - Simple and effortless opening mechanism
 - Wide opening angle enables complete & easy access to bed interior
 - Convenient screw-on installation

- Specifications:**
- Frames sizes (L): 900mm, 1200mm, 1500mm
 - Load bearing arm thickness: 6mm
 - Top frame thickness: 3.5mm
 - Pump loading capacity: 500N, 750N, 1000N, 1200N, 1500N, 1750N HD & 2000N HD
 - Pump Size (CTC): 343mm
 - Finish: Grey (Frame); Black (Pump)

Frame Image	Length	Product Code
	900MM	OE-BLU-FN 900MM GREY
	1200MM	OE-BLU-FN 1200MM GREY
	1500MM	OE-BLU-FN 1500MM GREY

Pump Image	Load Capacity	Product Code
	50kg	OE-BLU-PN 500N BLACK
	75kg	OE-BLU-PN 750N BLACK
	100kg	OE-BLU-PN 1000N BLACK
	120kg	OE-BLU-PN 1200N BLACK
	150kg	OE-BLU-PN 1500N BLACK
	175kg HD	OE-BLU-PN-HD 1750N BLACK
	200kg HD	OE-BLU-PN-HD 2000N BLACK

STANDARD SERIES

- Features:**
- Design for heavy duty applications operation
 - Simple and effortless opening mechanism
 - Wide opening angle enables complete & easy access to bed interior
 - Convenient screw-on installation

- Specifications:**
- Frames sizes (L): 900mm, 1200mm, 1500mm & 1500 mm HD
 - Load bearing arm thickness: 6mm
 - Top frame thickness: 3mm & 4 mm for HD
 - Pump loading capacity: 500N, 750N, 1000N, 1200N, 1500N, 1750N HD & 2000N HD
 - Pump Size (CTC): 528mm
 - Finish: Black (Frame); Black (Pump)

Frame Image	Length	Product Code
	900MM	OE-BLU-F 900MM BLACK
	1200MM	OE-BLU-F 1200MM BLACK
	1500MM	OE-BLU-F 1500MM BLACK
	1500MM HD	OE-BLU-F-HD 1500MM BLACK

Pump Image	Load Capacity	Product Code
	50kg	OE-BLU-P 500N BLACK
	75kg	OE-BLU-P 750N BLACK
	100kg	OE-BLU-P 1000N BLACK
	120kg	OE-BLU-P 1200N BLACK
	150kg	OE-BLU-P 1500N BLACK
	175kg HD	OE-BLU-P-HD 1750N BLACK
	200kg HD	OE-BLU-P-HD 2000N BLACK

OZO FIXES

Cams



OZ-MF-01-L-H 15/18MM STD
Board Thickness 18 mm
Unit: Pkt. 500 Pcs.

Twister Bolt



OZ-MF-02EU 34MM STD
Twister Bolt with Euro Thread
& Black Plastic
Unit: Pkt. 500 Pcs.



OZ-MF-02 24MM STD
OZ-MF-02 34MM STD
Twister Bolt with M6 Thread
& Black Plastic
Unit: Pkt. 500 Pcs.

Socket



OZ-MF-03-E 8MM
NATURAL
Expandable Nylon
Socket
Unit: Pkt. 500 Pcs



OZ-MF-03 10MM
OFFWH
Non-Expandable
Nylon Socket
Unit: Pkt. 500 Pcs.

OZ-MF-03-E 10MM
NATURAL
Expandable Nylon
Socket
Unit: Pkt. 500 Pcs

Cover Cap



OZ-MF-ACC-01N STD BR
Plastic Cap for 15mm Cam
Unit: Pkt. 500 Pcs.

Wooden Dowels



OZ-WD-SL 6x35MM STD
Wooden Dowel Pin
Unit: Pkt. 500 Pcs.



OZ-WD-SL 8x40MM STD
Pkt. Wooden Dowel Pin
Unit: Pkt. 500 Pcs.

SHELF - SUPPORT



OZ-SHL-G01
STD NP
Glass Shelves
Unit: 1 Pkt. 500 Pcs.



OZ-SHL-G02
STD NP
Glass Shelves
Unit: 1 Pkt. 500 Pcs.



OZ-SHL-G03
STD NP
Glass Shelves
Unit: 1 Pkt. 250 Pcs.



OZ-SHL-G04
STD NP
Glass Shelves
Unit: 1 Pkt. 250 Pcs.



OZ-SHL-W05
STD NP
Wooden Shelves
Unit: 1 Pkt. 500 Pcs.



OZ-SHL-W06
STD NP
Wooden Shelves
Unit: 1 Pkt. 500 Pcs.



OZ-SHL-W07
STD NP
Wooden Shelves
Unit: 1 Pkt. 500 Pcs.

OTHER CONNECTING FITTINGS

Insert Nut



OZ-STI M6X10MM STD
OZ-STI M6X12MM STD
OZ-STI M6X15MM STD
OZ-STI M6X18MM STD
OZ-STI M6X20MM STD
Insert Nut & Leveller
Unit: Pkt. 500 Pcs.

Plinth Screw



OZ-PS M6x10MM STD
OZ-PS M6x24MM STD
OZ-PS M6x40MM STD
Insert Nut & Leveller
Unit: Pkt. 500 Pcs.

Push Catcher



OZ-PMC STD WH
Push Catcher

Magnetic Catcher



OZ-MC STD SSS
Magnetic Door
Catcher

Butterfly



OE-CF-B STD ZINC
Butterfly type
Connection Fitting
Unit: Pkt. 50 sets



**FINGERPRINT LOCKS
FOR DOOR & FURNITURE**

ATOM-11

OE-ATOM-11-L 

SPECIFICATION:
 Lock Dimension-370x75x20 mm
 Lock Body Dimension- 60x68 mm
 Lock Body Material- SS304
 Lock material- Aluminium + ABS
 Colour- Black
 Batteries- AA(8 Pcs)
 Lock Weight- 2.4 Kg
 Storage Capacity- 100 RFID+ 100 Password +100 fingerprint

Fingerprint Lock
 For Wooden & Metal Doors
 Door Thickness: 35-80mm



SPEEDY
by OZONE



ATOM-22

OE-ATOM-22-L 

SPECIFICATION:
 Lock Dimension-260x66x22 mm
 Lock Body Dimension- 60x85 mm
 Lock Body Material-SS304
 Lock material- Aluminium + ABS
 Colour- Black
 Batteries- AA(4 Pcs)
 Lock Weight- 1.3 Kg
 Storage Capacity- 100 RFID+ 100 Password +100 fingerprint

Fingerprint Lock
 For Wooden & Metal Doors
 Door Thickness: 35-80mm



SPEEDY
by OZONE



FINGERPRINT LOCK

OEFL-NEUTRO-W-01 STD BLACK

Fingerprint Lock
For Sliding Wooden & Metal Cabinets, Drawers,
Wardrobes, Lift-Up Cabinets
Door Thickness: 15-25mm

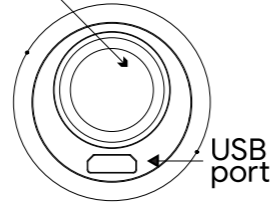
SPEEDY
by OZONE



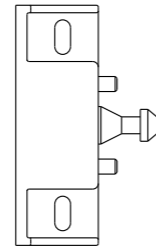
Fingerprint



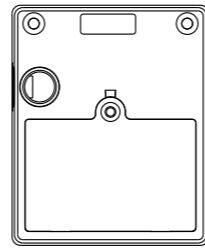
Fingerprint Sensor



Front Panel



Strike Plate



Back Lock

FINGERPRINT LOCK

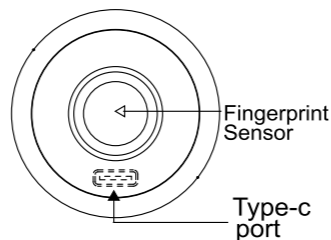
OEFL-NEUTRO-02 STD BLACK

Fingerprint Lock
For Swing, Sliding & Top Opening Cabinets,
Drawers Wardrobes
Door Thickness: 20-25mm

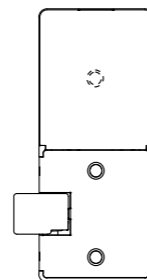
SPEEDY
by OZONE



Fingerprint



Front Panel



Lock Body

PASSWORD LOCK

OZFL-88 P BLACK

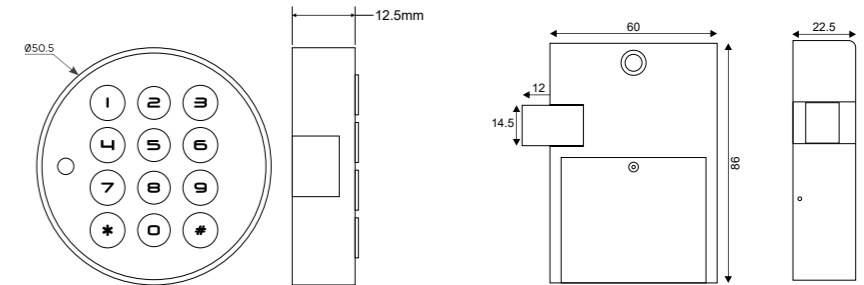
Password Lock
For Wooden Cabinets, Wardrobes, & Drawers
Door Thickness: 12-25mm



Master
Password



User
Password



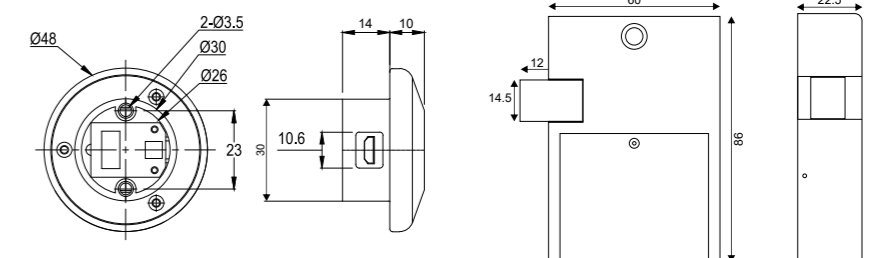
FINGERPRINT LOCK

OZFL-55 F BLACK

Fingerprint Lock
For Wooden Cabinets, Wardrobes & Drawers
Door Thickness: 12-25mm



Fingerprint



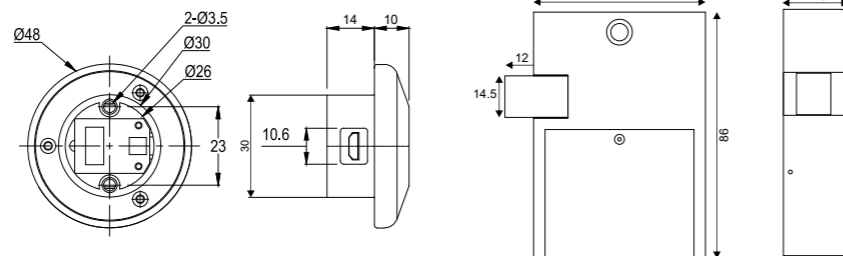
FINGERPRINT LOCK

OZFL-55 F AB

Fingerprint Lock
For Wooden Cabinets, Wardrobes, & Drawers
Door Thickness: 12-25mm



Fingerprint



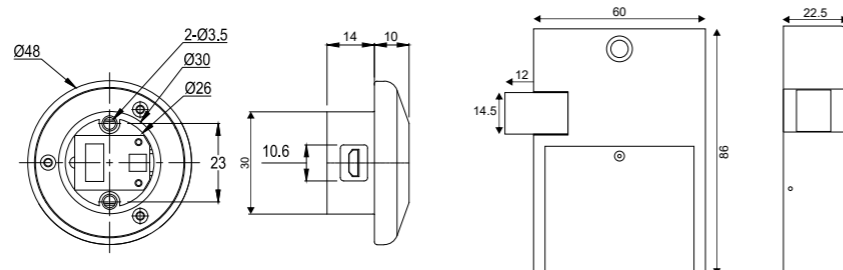
FINGERPRINT LOCK

OZFL-55 F SN

Fingerprint Lock
For Wooden Cabinets, Wardrobes, & Drawers
Door Thickness: 12-25mm



Fingerprint



PASSWORD & KEY LOCK

OZFL-101-PK

Password & Key Lock
For Wooden / Metal Cabinets & Wardrobes
Door Thickness: 1-18mm



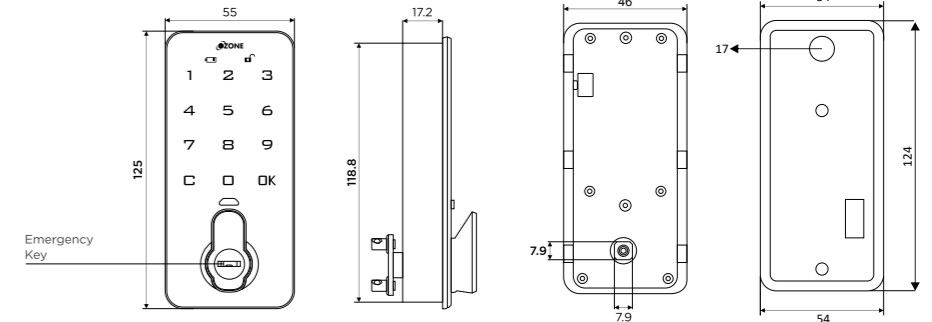
Master Password



Emergency Key



User Password



FINGERPRINT, PASSWORD, & KEY LOCK

OZFL-102-FPK

Fingerprint, Password, & Key Lock
For Wooden / Metal Cabinets & Wardrobes
Door Thickness: 1-18mm



Fingerprint



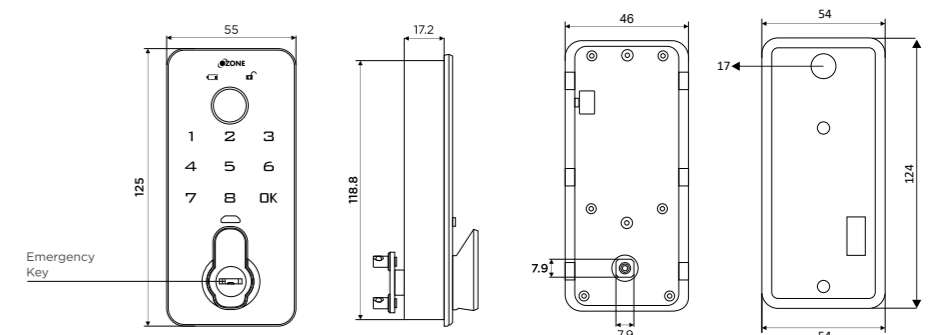
Emergency Key



Master Password



User Password



PASSWORD LOCK

* OZFL-201-PW

OZFL-201-LIFE PW 

Password Lock
For Wooden / Metal Cabinets & Wardrobes
Door Thickness: 1-25mm



Master Password



Guest Password



User Password



OzoLife App



*Please Note: This product variant doesn't support OzoLife App.

RFID CARD LOCK

OZFL-202-RF

RFID Card Lock
For Wooden / Metal Cabinets & Wardrobes
Door Thickness: 1-25mm



RFID Card



PASSWORD & FINGERPRINT LOCK

OZFL-203-PF

Password & Fingerprint Lock
For Wooden / Metal Cabinets & Wardrobes
Door Thickness: 1-25mm



Fingerprint



User Password



Master Password



PASSWORD & KEY LOCK

OZFL-301 H-PK

Password & Key Lock
For Wooden / Metal Cabinets & Wardrobes
Door Thickness: 1-18mm



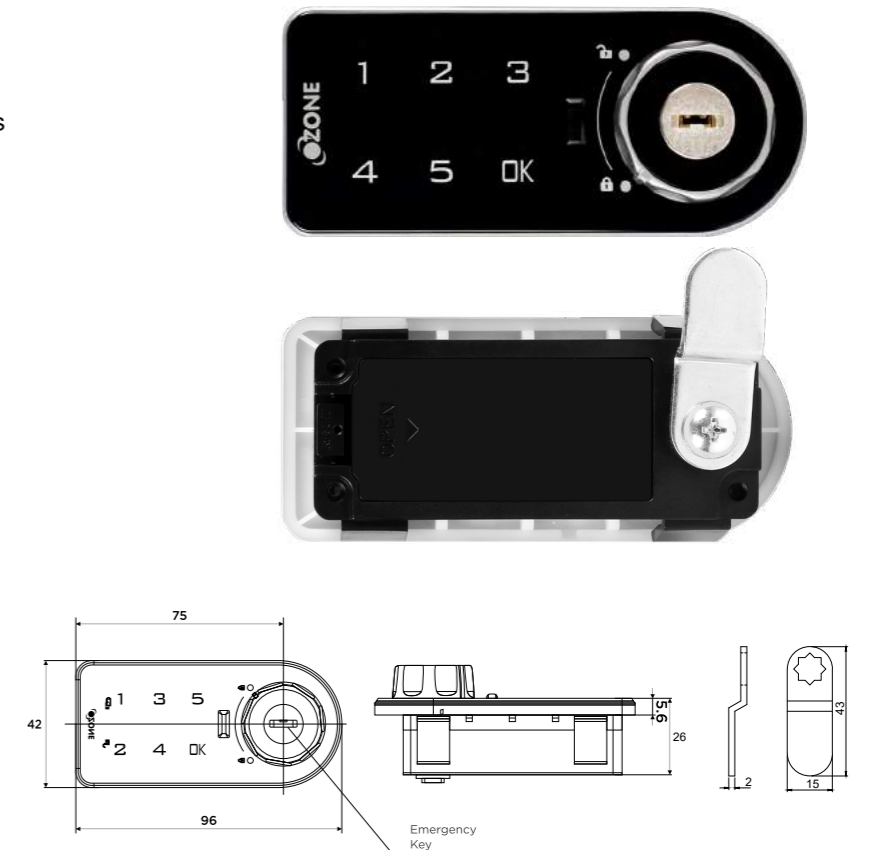
Master Password



User Password



Emergency Key



PASSWORD & KEY LOCK

OZFL-301 V-PK

Password & Key Lock
For Wooden / Metal Cabinets & Wardrobes
Door Thickness: 1-18mm



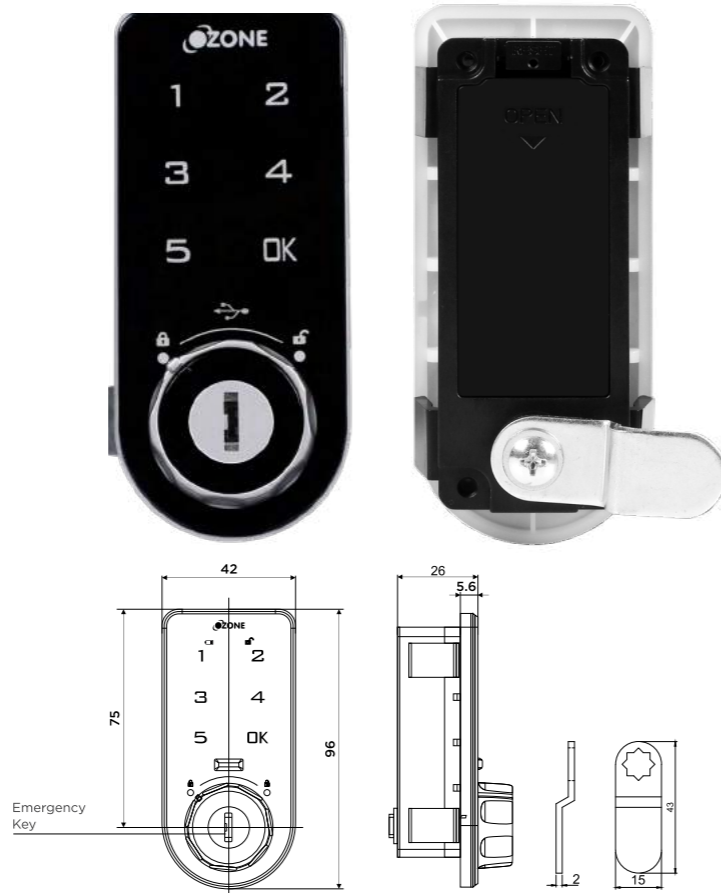
Master Password



User Password



Emergency Key



FINGERPRINT & KEY LOCK

OZFL-302-FK

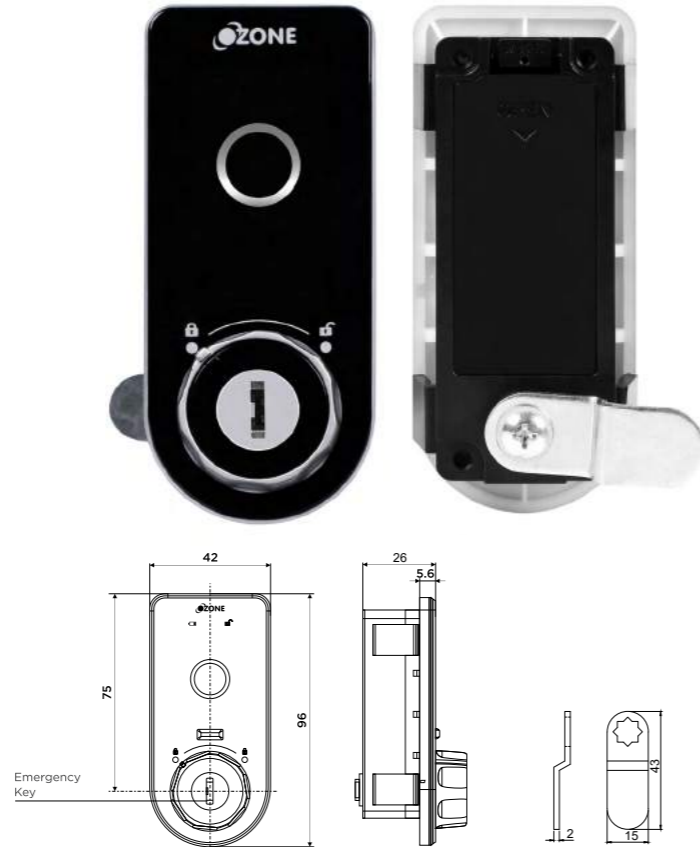
Fingerprint & Key Lock
For Wooden / Metal Cabinets & Wardrobes
Door Thickness: 1-18mm



Fingerprint



Emergency Key



PASSWORD LOCK

OZFL-401-PW

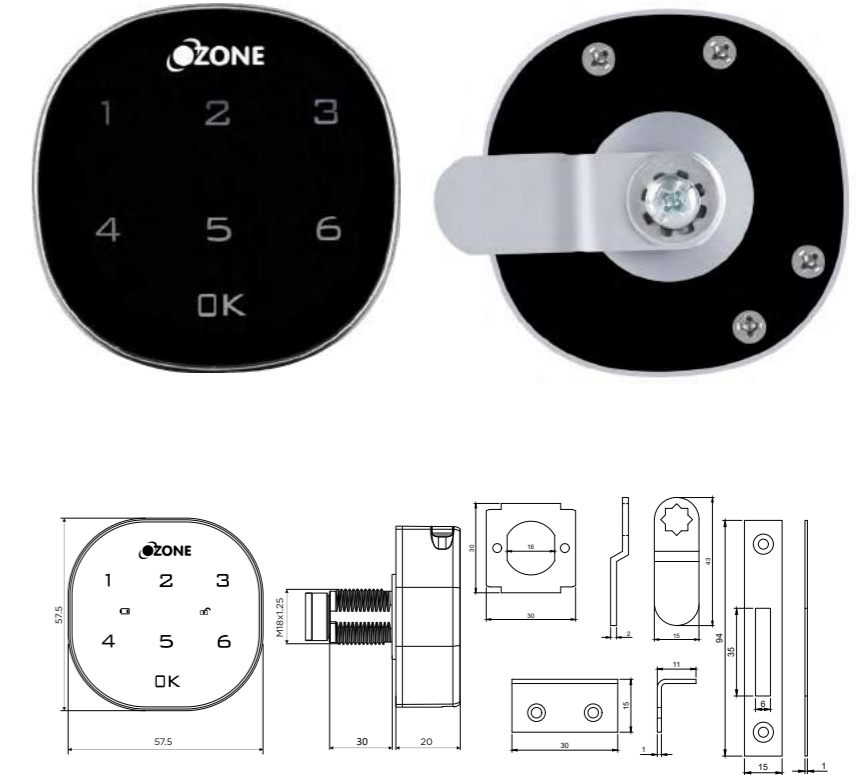
Password Lock
for Single or Multiple Metal / Wooden Drawers
For Swing & Sliding Metal & Wooden
Cabinets & Wardrobes
Door Thickness: 1-25mm



Master Password



User Password



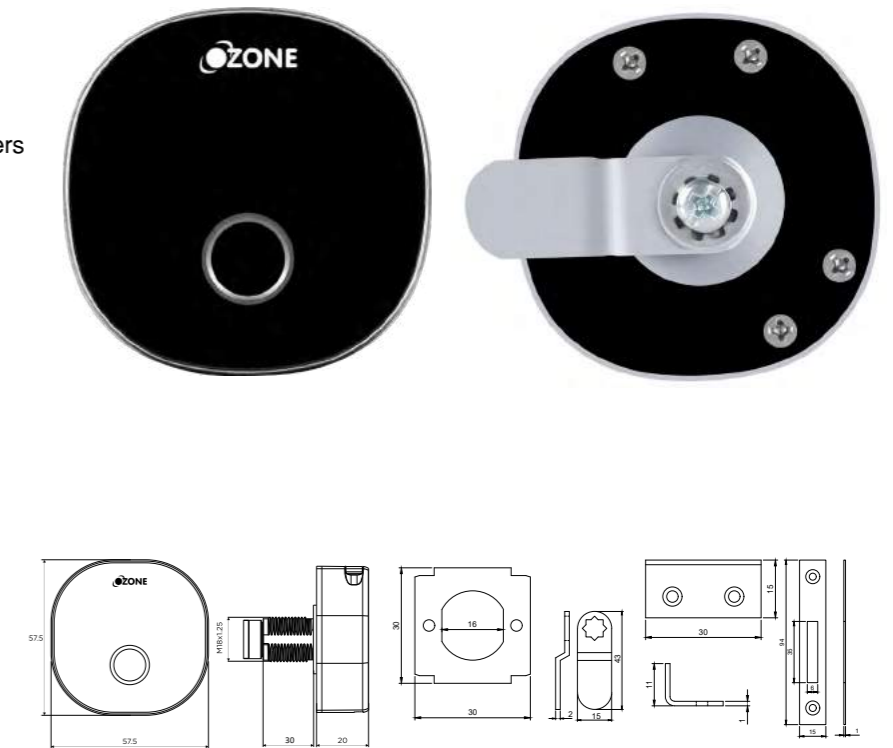
FINGERPRINT LOCK

OZFL-402-F

Fingerprint Lock
For Single or Multiple Metal / Wooden Drawers
For Swing & Sliding Metal & Wooden
Cabinets & Wardrobes
Door Thickness: 1-25mm



Fingerprint



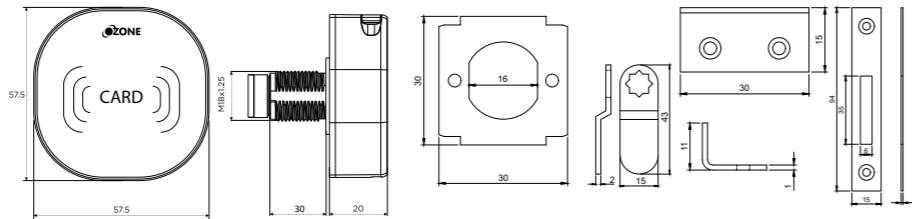
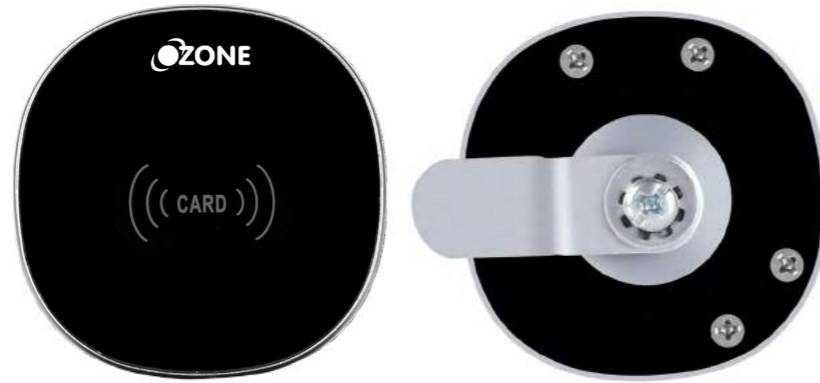
RFID LOCK

OZFL-403-RF

RFID Lock
For Single or Multiple Metal / Wooden Drawers
For Swing & Sliding Metal & Wooden,
Cabinets & Wardrobes
Door Thickness: 1-25mm



RFID Card



PASSWORD & FINGERPRINT LOCK

OZFL-501-PF

Password & Fingerprint Lock
For Metal Cabinet & Wardrobes
Door Thickness: 1-25mm



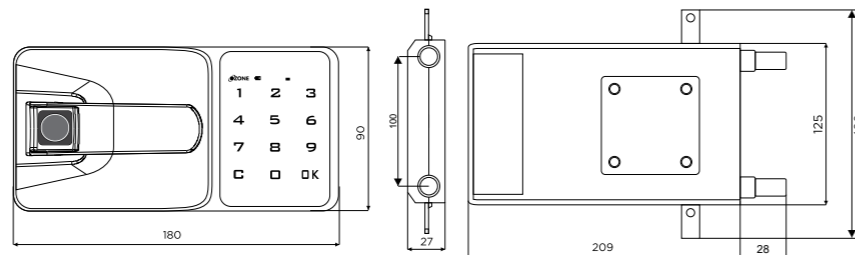
Master Password



Fingerprint



User Password



PASSWORD LOCK

OZFL-502-PW

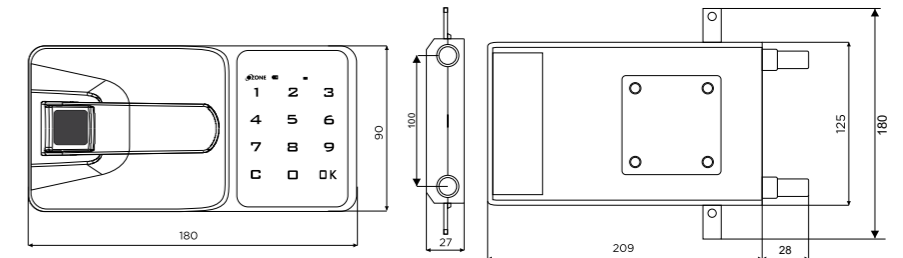
Password Lock
For Metal Cabinet & Wardrobes
Door Thickness: 1-5mm



Master Password



User Password



WARDROBE SLIDING DOOR LOCKS



- Features:**
- Suitable for 25mm shutters
 - Twist and turn system
 - Single locking for 2 overlapped sliding shutters
 - Universal lock for sliding shutters with either side opening
 - High security two computerized keys
 - System 32 compatible

OE-WSL1-25P STD NP (Plastic Key)
OE-WSL1-25S STD NP (Steel Key)
Twist & Turn Lock



OE-WSL2-22P STD CP (Plastic Key)
OE-WSL2-22S STD CP (Steel Key)
Push & Turn Lock



OE-WSL2-32P STD CP (Plastic Key)
OE-WSL2-32S STD CP (Steel Key)
Push & Turn Lock

CUPBOARD LOCKS WITH COMPUTERIZED KEYS



OE-CL-11 20/25MM SSS
OE-CL-11 32MM SSS
Cupboard Lock



OE-CL-22 21MM SSS
Cupboard Lock (Small)



OE-CL-3P-22P 2M CP
OE-CL-3P-22P 3M CP
OE-CL-3P-32P 2M CP
OE-CL-3P-32P 3M CP
Finish : CP
Key Type: Plastic Head

- Features:**
- Die cast body
 - Two point swing arm lock at top and bottom, also locking with the third point at central eliminates use of tower bolt
 - System 32 compatible
 - Reversible keys with click action mechanism
 - High security computerized keys with plastic key head
 - Available in 3 Point Lock

- Application:**
- Cupboards & Cabinets

OE-CL-3P-22S 2M CP
OE-CL-3P-22S 3M CP
OE-CL-3P-32S 2M CP
OE-CL-3P-32S 3M CP
Finish : CP
Key Type: Steel Head

CUPBOARD LOCKS



OE-CL-CP 22MM CP (Plastic Key)
OE-CL-CS 22MM CP (Steel Key)
Cupboard Lock

- Features:**
- Suitable for 22mm Thick panel
 - Die cast body
 - Click action mechanism
 - Round multipurpose lock with crank bolt specially designed for overlapped shutters fitted with auto close hinge and drawers with overlay facia
 - Reversible keys with click action mechanism

- Application:**
- Cupboards & Cabinets

MULTI-PURPOSE LOCKS



OE-MPL-RP 22MM CP (Plastic Key)
OE-MPL-RS 22MM CP (Steel Key)
Multipurpose Lock

- Features:**
- Suitable for 22mm Thick panel
 - Die cast body
 - Reversible keys with click action mechanism

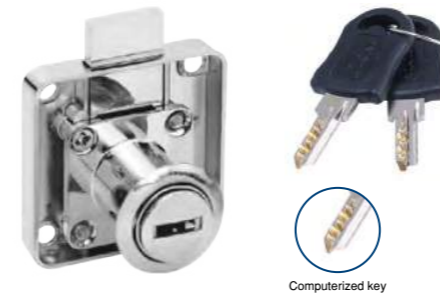
- Application:**
- Cupboards & Cabinets



OE-MPL-12P 22MM CP (Plastic Key)
OE-MPL-12S 22MM CP (Steel Key)
Multipurpose Lock with Computerized Key

- Features:**
- Suitable for 22mm Thick panel
 - Die cast body
 - No key require for locking system
 - Reversible keys with click action mechanism
 - High security computerized keys

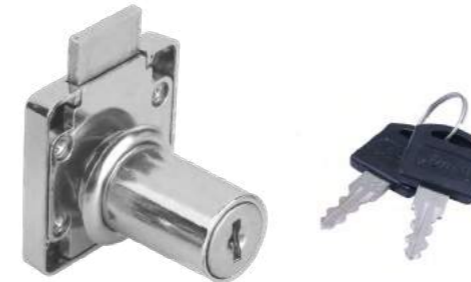
- Application:**
- Cupboards & Cabinets



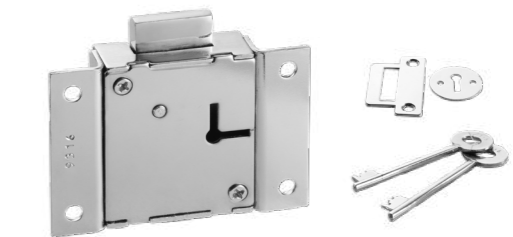
OE-MPL-11P 22MM NP (Plastic Key)
OE-MPL-11S 22MM NP (Steel Key)
Multipurpose Lock with Computerized Key



OE-MPLP 22MM CP (Plastic Key)
OE-MPLS 22MM CP (Steel Key)
Multipurpose Lock



OE-MPLP 32MM CP (Plastic Key)
OE-MPLS 32MM CP (Steel Key)
Multipurpose Lock



OE-CL-33 STD SSS
Universal Lock

MULTIDRAWER LOCKS



OE-MDL-3PP 500MM CP (Plastic Key)
OE-MDL-4PP 580MM CP (Plastic Key)
OE-MDL-3PS 500MM CP (Steel Key)
OE-MDL-4PS 580MM CP (Steel Key)

Front Mounted Multi Drawer Lock with Aluminium Bar Length 500/580mm for 3/4 Drawers
No. of keys : 2 Keys



OE-MDL-3P-SMP 500MM CP (Plastic Key)
OE-MDL-4P-SMP 580MM CP (Plastic Key)
OE-MDL-3P-SMS 500MM CP (Steel Key)
OE-MDL-4P-SMS 580MM CP (Steel Key)

Side Mounted Multi Drawer Lock with Aluminium Bar Length 500/580mm for 3/4 Drawers



OE-PDLP STD CP (Plastic Key)
OE-PDLS STD CP (Steel Key)
For front mount multi drawer pedestal units



TABLE FITTINGS

THREE LEG AT 90° TABLE MECHANISM WITH DUAL MOTORS



OZ-SMT-3L STD BLACK*

Features:

- Three leg at 90° table frame mechanism with two motors
- With inbuilt 3 stage motor with child lock features
- Silent & smooth movement with adjustment for every mm
- Total height adjustment range from 610-1260mm
- High Loading capacity up to 150kg
- Finish: Black

DUAL LEG TABLE MECHANISM WITH DUAL MOTORS



OZ-SMT-2L STD BLACK

Features:

- Dual leg height adjustable table frame mechanism with two motors
- With inbuilt 3 stage motor with anti-collision sensors and safety control
- Equipped with memory function to register & save 4 different heights
- Silent & smooth movement with adjustment for every mm
- Total height adjustment range from 610-1260mm
- High Loading capacity up to 120kg
- Finish: Black

DUAL LEG TABLE MECHANISM WITH SINGLE MOTOR



OZ-SMT-2L-1M STD BLACK*

Features:

- Dual Leg Adjustable Table Frame with single motor
- With inbuilt 2 stage motor with anti-collision sensors and child lock
- Silent & smooth movement with adjustment for every mm
- Total height adjustment range from 720-1200mm
- High Loading capacity up to 80kg
- Finish: Black

SINGLE LEG TABLE MECHANISM WITH SINGLE MOTOR



OZ-SMT-1L STD BLACK

Features:

- Single leg height adjustable table frame mechanism with single motor
- With inbuilt 3 stage motor with anti-collision sensors and safety control
- Equipped with memory function to register & save 4 different heights
- Silent & smooth movement with adjustment for every mm
- Total height adjustment range from 610-1260mm
- High Loading capacity up to 80kg
- Finish: Black

VERTEBRAE (CABLE ORGANIZER)



OZ-VRB 1.3M BLACK

Cable Organizer

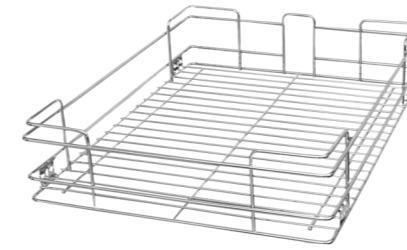
Features:

- Suitable for work stations or desks
- Conceals electric and data cables separately
- Enhances the aesthetics of the work space

*Note: Available Against Firm Orders



PLAIN BASKET



- Plain basket for use with ball bearing drawer runner
- Basket equipped with prefixed ball bearing runner clamps
- Order ball bearing runner separately
- Basket finish: Chrome

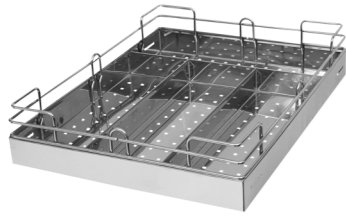
Order no. (500mm)	Basket size(WxDxH)	Order no. (550mm)	Basket size(WxDxH)
OZS-WB-P 15x20x4 CP	378x500x100 mm	OZS-WB-P 15x22x4 CP	378x550x100 mm
OZS-WB-P 15x20x6 CP	378x500x150 mm	OZS-WB-P 15x22x6 CP	378x550x150 mm
OZS-WB-P 15x20x8 CP	378x500x200 mm	OZS-WB-P 15x22x8 CP	378x550x200 mm
OZS-WB-P 17x20x4 CP	429x500x100 mm	OZS-WB-P 17x22x4 CP	429x550x100 mm
OZS-WB-P 17x20x6 CP	429x500x150 mm	OZS-WB-P 17x22x6 CP	429x550x150 mm
OZS-WB-P 17x20x8 CP	429x500x200 mm	OZS-WB-P 17x22x8 CP	429x550x200 mm
OZS-WB-P 19x20x4 CP	479x500x100 mm	OZS-WB-P 19x22x4 CP	479x550x100 mm
OZS-WB-P 19x20x6 CP	479x500x150 mm	OZS-WB-P 19x22x6 CP	479x550x150 mm
OZS-WB-P 19x20x8 CP	479x500x200 mm	OZS-WB-P 19x22x8 CP	479x550x200 mm
OZS-WB-P 21x20x4 CP	530x500x100 mm	OZS-WB-P 21x22x4 CP	530x550x100 mm
OZS-WB-P 21x20x6 CP	530x500x150 mm	OZS-WB-P 21x22x6 CP	530x550x150 mm
OZS-WB-P 21x20x8 CP	530x500x200 mm	OZS-WB-P 21x22x8 CP	530x550x200 mm

BASKET INSERTS

- Basket Inserts for conveniently storing kitchen essentials
- Equipped with connector for fixing with basket
- Insert length: 500/550 mm
- Finish: Chrome

Description	Product Image	Order no. (500mm)	Order no. (550mm)
Cup & Saucer Insert for basket height 150mm		OZS-WB-CS-HP 20x3 CP	OZS-WB-CS-HP 22x3 CP
Plate Insert for basket height 200mm		OZS-WB-PL-HP 20x5 CP	OZS-WB-PL-HP 22x5 CP
Thali Insert for basket height 200mm		OZS-WB-TH-HP 20x7 CP	OZS-WB-TH-HP 22x7 CP
Half Partition Insert for basket height 100mm		OZS-WB-P-HP 20x4 CP	OZS-WB-P-HP 22x4 CP
Half Partition Insert for basket height 150mm		OZS-WB-P-HP 20x6 CP	OZS-WB-P-HP 22x6 CP
Half Partition Insert for basket height 200mm		OZS-WB-P-HP 20x8 CP	OZS-WB-P-HP 22x8 CP

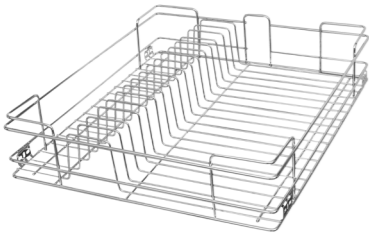
PERFORATED CUTLERY BASKET



- Special Perforated metal sheet cutlery wire basket for use with ball bearing drawer runners
- Basket equipped with prefixed ball bearing runner clamps
- Order ball bearing runner separately
- Basket finish: Chrome

Order no. (500mm)	Basket size(WxDxH)	Order no. (550mm)	Basket size(WxDxH)
OZS-WB-C 15x20x4 CP	378x500x100 mm	OZS-WB-C 15x22x4 CP	378x550x100 mm
OZS-WB-C 17x20x4 CP	429x500x100 mm	OZS-WB-C 17x22x4 CP	429x550x100 mm
OZS-WB-C 19x20x4 CP	479x500x100 mm	OZS-WB-C 19x22x4 CP	479x550x100 mm
OZS-WB-C 21x20x4 CP	530x500x100 mm	OZS-WB-C 21x22x4 CP	530x550x100 mm

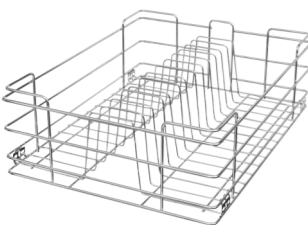
CUP & SAUCER BASKET



- Basket with prefixed saucer insert for use with ball bearing drawer runners
- Basket equipped with prefixed ball bearing runner clamps
- Order ball bearing runner separately
- Basket finish: Chrome

Order no. (500mm)	Basket size(WxDxH)	Order no. (550mm)	Basket size(WxDxH)
OZS-WB-CS 15x20x4 CP	378x500x100 mm	OZS-WB-CS 15x22x4 CP	378x550x100 mm
OZS-WB-CS 17x20x4 CP	429x500x100 mm	OZS-WB-CS 17x22x4 CP	429x550x100 mm
OZS-WB-CS 19x20x4 CP	479x500x100 mm	OZS-WB-CS 19x22x4 CP	479x550x100 mm
OZS-WB-CS 21x20x4 CP	530x500x100 mm	OZS-WB-CS 21x22x4 CP	530x550x100 mm

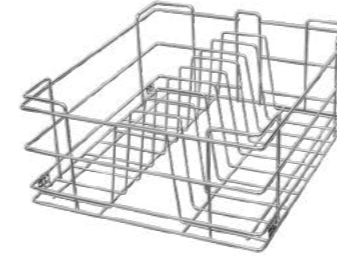
PLATE BASKET



- Basket with prefixed plate insert for use with ball bearing drawer runners
- Basket equipped with prefixed ball bearing runner clamps
- Order ball bearing runner separately
- Basket finish: Chrome

Order no. (500mm)	Basket size(WxDxH)	Order no. (550mm)	Basket size(WxDxH)
OZS-WB-PL 15x20x6 CP	378x500x150 mm	OZS-WB-PL 15x22x6 CP	378x550x150 mm
OZS-WB-PL 17x20x6 CP	429x500x150 mm	OZS-WB-PL 17x22x6 CP	429x550x150 mm
OZS-WB-PL 19x20x6 CP	479x500x150 mm	OZS-WB-PL 19x22x6 CP	479x550x150 mm
OZS-WB-PL 21x20x6 CP	530x500x150 mm	OZS-WB-PL 21x22x6 CP	530x550x150 mm

THALI BASKET



- Basket with prefixed thali insert for use with ball bearing drawer runners
- Basket equipped with prefixed ball bearing runner clamps
- Order ball bearing runner separately
- Basket finish: Chrome

Order no. (500mm)	Basket size(WxDxH)	Order no. (550mm)	Basket size(WxDxH)
OZS-WB-TH 15x20x8 CP	378x500x200 mm	OZS-WB-TH 15x22x8 CP	378x550x200 mm
OZS-WB-TH 17x20x8 CP	429x500x200 mm	OZS-WB-TH 17x22x8 CP	429x550x200 mm
OZS-WB-TH 19x20x8 CP	479x500x200 mm	OZS-WB-TH 19x22x8 CP	479x550x200 mm
OZS-WB-TH 21x20x8 CP	530x500x200 mm	OZS-WB-TH 21x22x8 CP	530x550x200 mm

GRAIN TROLLEY BASKET



- Basket for storage of heavy items & use with ball bearing drawer runners
- Basket also equipped with prefixed ball bearing runner clamps
- Order pull out mechanism separately
- Basket finish: Chrome

Order no. (500mm)	Basket size(WxDxH)
OZS-WB-G 15x20x8 CP	378x500x200 mm
OZS-WB-G 17x20x8 CP	429x500x200 mm
OZS-WB-G 19x20x8 CP	479x500x200 mm
OZS-WB-G 21x20x8 CP	530x500x200 mm
OZS-WB-GTMECH 21" GREY	Grain trolley pull out mechanism

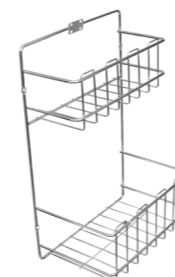
VEGETABLE BASKET



- Basket for open storage of vegetables and fruits & use with ball bearing drawer runners
- Basket equipped with prefixed ball bearing runner clamps
- Order ball bearing runner (500 mm) separately
- Basket finish: Chrome

Order no. (500mm)	Basket size(WxDxH)
OZS-WB-V 15x20x6 CP	378x500x150 mm
OZS-WB-V 17x20x6 CP	429x500x150 mm

DETERGENT RACK



- Wire based double decker rack for keeping detergents and cleaning agents
- For fixing onto hinged cabinet shutter
- Min cabinet width: 300 mm
- Basket Finish: Chrome

Order no.	Basket size(WxDxH)
OZS-W-D 150x450MM CP	253x155x383 mm

